


MN50BRIN070MFINC-QB7ST

Configuration

Type:	M
Size:	N50
Input:	 71 B14 ø105
Output shaft/bore:	Hollow output shaft
Mounting:	BRI (Reaction arm)
Mounting position:	B7
Input bore:	Standard
Coupling:	-
Terminal box position:	B

Distributor data

Customer:

Lead time:

Technical data

Input rpm (n_1):	1400 min⁻¹
Output rpm (n_2):	32.56 min⁻¹
Ratio (i):	43
Nominal power (P_{1R}):	0.35 kW
Nominal torque (M_{2R}):	68 Nm
Dynamic efficiency (RD):	66%

Selection

Motor power (P_{1M}):	0.37 kW
Output torque (M_{2M}):	72 Nm
Service factor (f.s.):	1.0

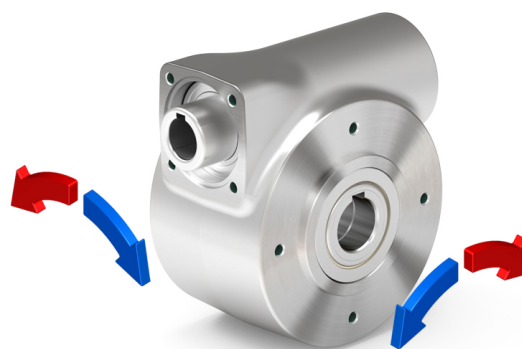
Lubrication

Oil quantity:	0.18l
ENI:	Telium VSF 320
SHELL:	Omala S4 WE 320

On our website

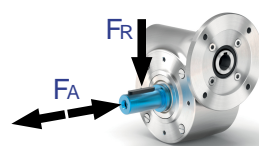
Features	Thermal limit
How to order	Installation check list
Datasheet	Spare parts list
Accessories/options	Complete catalogue
Selection guide - fs	Selection by power (xls)
Mounting pos. - lubricant	Atex certification
Calc. the overhung load	
Irreversibility	

Direction of rotation



Axial and radial loads

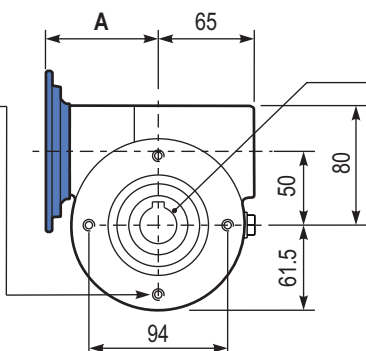
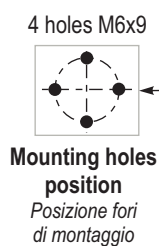
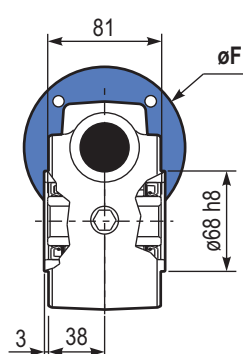
Output shaft



n_2 (min ⁻¹)	FA (N)	FR (N)
200	240	1200
150	280	1400
100	300	1500
75	340	1700
50	380	1900
25	480	2500
15	560	2800

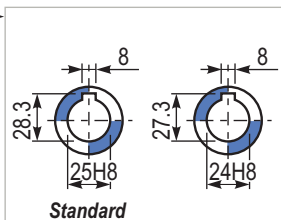
PN50UNI.. Basic gearbox
Riduttore base

M. flanges	Kit code	øF	A
63B14	KI504047	90	78
71B14	KI504045	105	75.5
80B14	KI504046	120	76

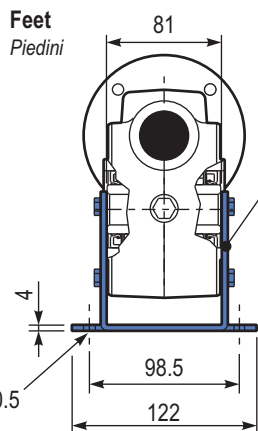


Gearbox weight
Peso riduttore **5.3 kg**

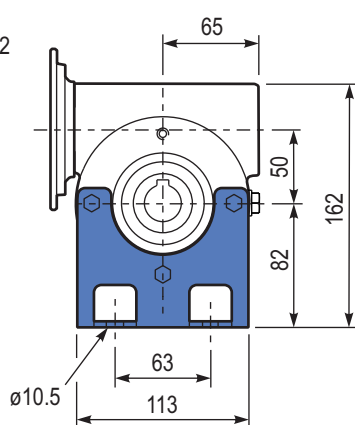
Hollow shaft
Foro in uscita



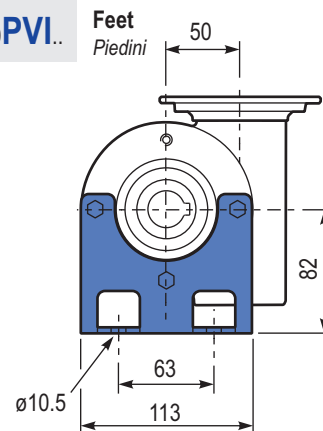
PN50PAI.. Feet
Piedini



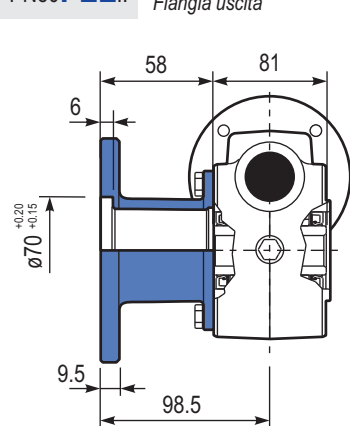
kit cod. KN509022



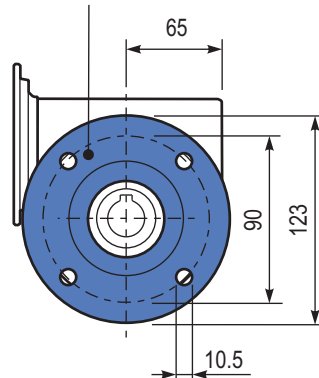
PN50PVI.. Feet
Piedini



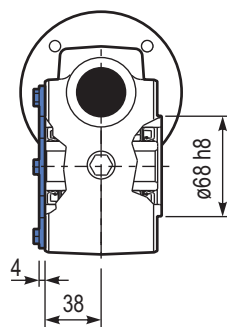
PN50FLL.. Output flange
Flangia uscita



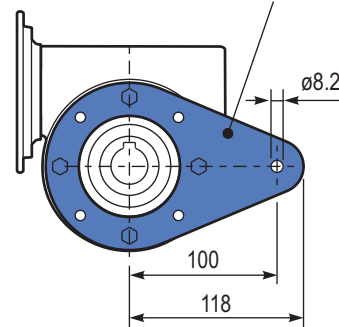
kit cod. KN509011



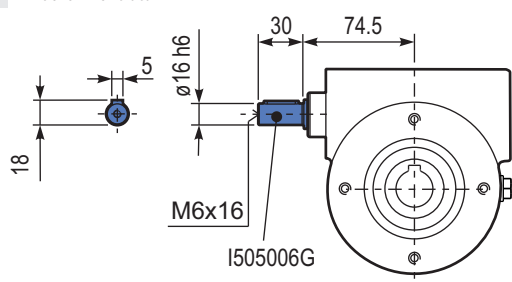
PN50BRI.. Reaction arm
Braccio di reazione



kit cod. KN509027



RN50UNI.. Input shaft
Albero in entrata



PN50..SMF Single output shaft
Albero semplice in uscita

kit cod. KN500209
Protection cap (on request)
A richiesta coperchio di protezione

