

MN45UNIN100MBICN-PB3-B

Configuration

Type:	M
Size:	N45
Input:	63 B14 ø90
Output shaft/bore:	Hollow output shaft
Mounting:	UNI (Standard)
Mounting position:	B3
Input bore:	-
Coupling:	ø11 (IEC63)
Terminal box position:	A

Distributor data

Customer:

Lead time:

Technical data

Input rpm (n_1):	1400 min⁻¹
Output rpm (n_2):	13.73 min⁻¹
Ratio (i):	102
Nominal power (P_{1R}):	0.09 kW
Nominal torque (M_{2R}):	29 Nm
Dynamic efficiency (RD):	49%

Selection

Motor power (P_{1M}):	0.12 kW
Output torque (M_{2M}):	41 Nm
Service factor (f.s.):	0.7

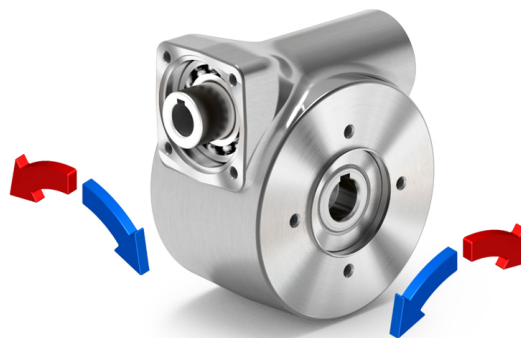
Lubrication

Oil quantity:	0.13l
ENI:	Telium VSF 320
SHELL:	Omala S4 WE 320

On our website

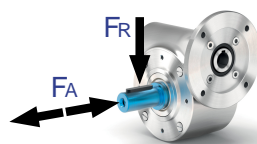
Features	Thermal limit
How to order	Installation check list
Datasheet	Spare parts list
Accessories/options	Complete catalogue
Selection guide - fs	Selection by power (xls)
Mounting pos. - lubricant	Atex certification
Calc. the overhung load	
Irreversibility	

Direction of rotation



Axial and radial loads

Output shaft

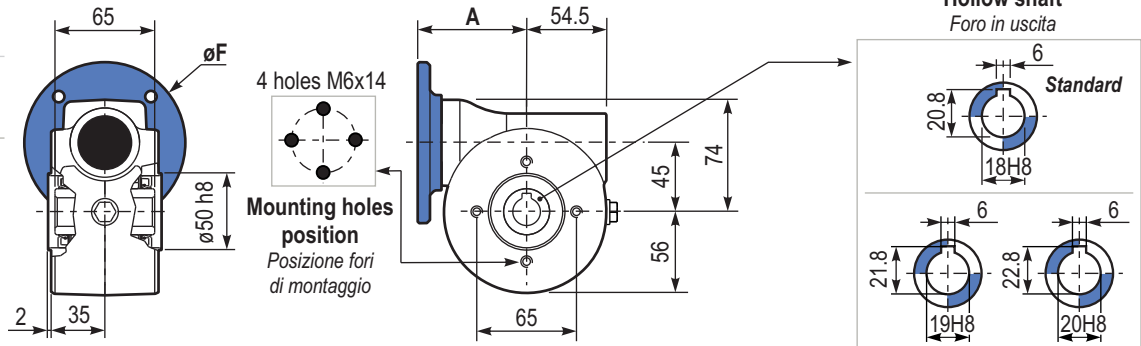


n_2 (min ⁻¹)	FA (N)	FR (N)
200	180	900
150	200	1000
100	220	1100
75	240	1200
50	260	1400
25	300	1800
15	400	2000

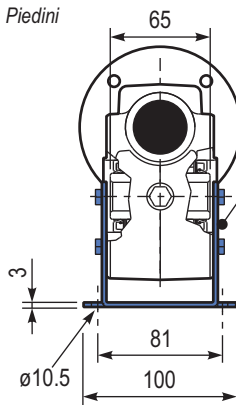
PN45UNI.. Basic gearbox
Riduttore base

Gearbox weight
Peso riduttore **4.1 kg**

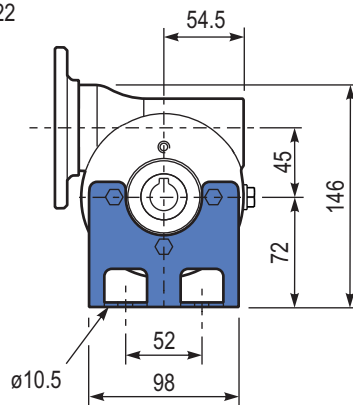
M. flanges	Kit code	øF	A
63B14	KI504047	90	73.5
71B14	KI504045	105	71



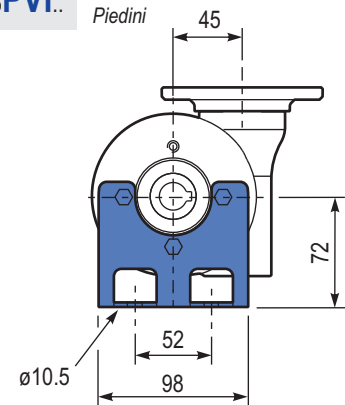
PN45PAI.. Feet
Piedini



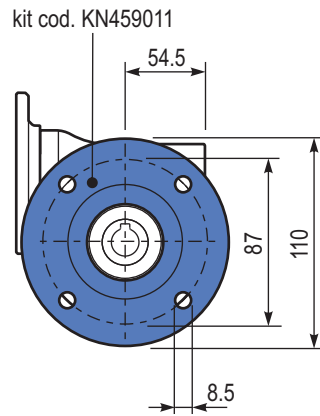
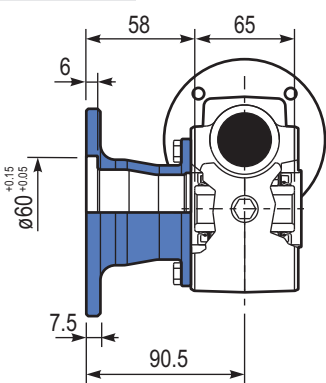
kit cod. KN459022



PN45PVI.. Feet
Piedini

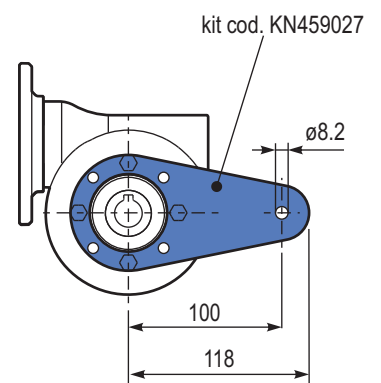
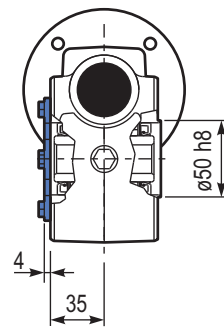


PN45FLL.. Output flange
Flangia uscita



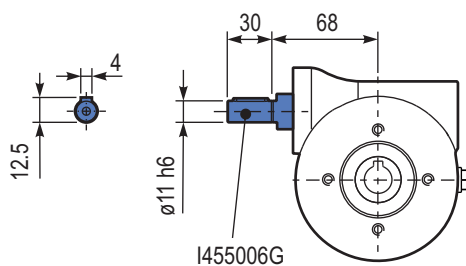
kit cod. KN459011

PN45BRI.. Reaction arm
Braccio di reazione



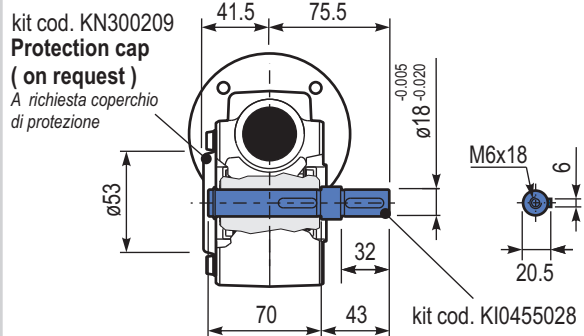
kit cod. KN459027

RN45UNI.. Input shaft
Albero in entrata



I455006G

PN45..SMB Single output shaft
Albero semplice in uscita



kit cod. KI0455028