



MAC402-D6-FRGM-A011 Int.Servo.AC 400WS1 1.28Nm IP66 Abs STO Coating

MAC motorĚ is a series of integrated (all-in-one) servo motors with shaft power from 46 W to 4500 W. +400 W and new F-series (50..140 W) are programmable through ePLC (embedded-PLC). Choose between a large number of control modules.

Options include:

- Absolute Multiturn Encoder (incremental encoder is standard)
- Built-in Brake or Brake module (MABxx)
- Ethernet module w/built-in Switch for easy daisy-chaining and all protocols (Profinet, EtherNet/IP, EtherCAT, SERCOS, ModbusTCP/UDP, Powerlink)
- Wireless modules are also available: WLAN or BlueTooth
- CANopen, Devicenet or Profibus or ePLC modules
- Serial communication modules, RS232 and/or RS485
- High IP versions are also available (IP 65..66..67)
- Food or Medico types in Stainless Steel IP69K

Unique Ethernet functionality: use MacTalkĚ (PC software) to change freely between all the different Ethernet protocols, you dont need several different types on stock Ě ONE is enough.



General information

Description	Int.Servo.AC 400WS1 1.28Nm IP66 Abs STO Coating, WxHxL: 60x115x224 mm. 3000 RPM @24-48VDC - 1500 RPM @12VDC. 100% Duty Cycle. 1.27 RMS / 3.83 Nm Peak, IP66 w/brake, Single 8192 CPR / Absolute multiturn ± 8178 revs, Black, $\varnothing 14 \times 30$ mm keyway 5x20 mm, Special coating of all PCB except encoder., incl. M8 4pin hardware STO connector, NB! STO: Not yet approved by TUV		
Manufacture	JVL	Motor type	Integr. AC-servo - Rotating
Motor power [W]	400	Power Peak [W]	1200
Duty Cycle	S1	Max Duty Cycle [%]	100
Continuous Torque	1.28	Peak torque [Nm]	3.8
Main supply [V]	12-48	Voltage type - Main	DC
Speed [Rpm]	3000	Connectivity: Without module	RS232 - 5VDC, Modbus RTU
Encoder type	Abs. Multiturn Encoder +/- 8178 rev.	Encoder [Counts/rev]	8192
Fan mounted	No	Brake	Internal brake
Integrated gear	No	Gear ratio	-
Integrated PLC	Yes	STO connector	Yes
Approval TÜV - STO	No	Approval - UL	No



MAC402-D6-FRGM-A011

Int.Servo.AC 400WS1 1.28Nm IP66 Abs STO Coating

General information

PLC no. of AIN	2	PLC no. of DI	-
PLC no. of DIO	-	PLC no. of DO	2
Multifunction IOs	2		
Flange size	60x60	Protection house	IP66
Shaft size - Front [mm]	14.00mm	Protection shaft	IP66
Color	Black	Paint type	
		TOM_007	
Ambient Temperature range:		Max. Amb. Temperature range - Torque derating:	
Maximum Installation Altitude:		Max. Installation Altitude - Power Derating every 1000m:	
TOM_008		TOM_009	
Weight net [kg]	2.50	Weight gross [kg]	2.93
Tariff no	85012000	Country Of Origin	DK



MAC402-D6-FRGM-A011

Int.Servo.AC 400WS1 1.28Nm IP66 Abs STO Coating

Mechanical information

Motor type	Integr. AC-servo - Rotating	Color	Black
Rotor inertia [kgcm²]	0.36	Max inertia factor	20
Encoder type	Abs. Multiturn Encoder +/- 8178 rev.	Encoder [Counts/rev]	8192
Precision Motor - Absolute [Deg -/+]	0.04	Precision Motor - Max Load [Deg -/+]	
Precision Motor - Repeatability [Deg -/+]	0.04		
Brake	Internal brake	Brake - Go ON time [ms]	16
Brake Holding torque [Nm]	1.3	Brake - Go OFF time [ms]	44
Radial load [N]	245	Radial load distance [mm]	13.5
Axial load [N]	98		
Axial play [mm]	xxx	Axial play force [N]	xxx
Front bearing type	xxx	Rear bearing type	xxx
Integrated gear	No	Gear ratio	-
Gear efficiency [%]	< -	Gear backlash [ArcMin]	-
Motor length [mm]	224	Motor width [mm]	64.0
Motor height [mm]	115.0	Protection house	IP66
Customer Sealing	Standard		
Flange size	60x60	Mounting holes front [mm]	5.5
Motor diameter center front [mm]	50.0	Bolt circle diameter front [mm]	70.0
Flange material	Aluminium	Flange Thickness [mm]	
Shaft Key included	Key mounted in shaft	Shaft Key Dimension	5x5x20
Shaft size - Front [mm]	14.00mm	Protection shaft	IP66
Shaft length Front [mm]	30.0	Shaft material	Stainless Steel STS440C
Approval - ROHS-3	Yes	Approval - UL	No
Approval TÜV - STO	No	Approval - ATEX	No
CAD 2D [PDF]	Download	CAD 3D [STEP]	Download
CAD 2D [DWG]	No	CAD 3D [DWG]	No



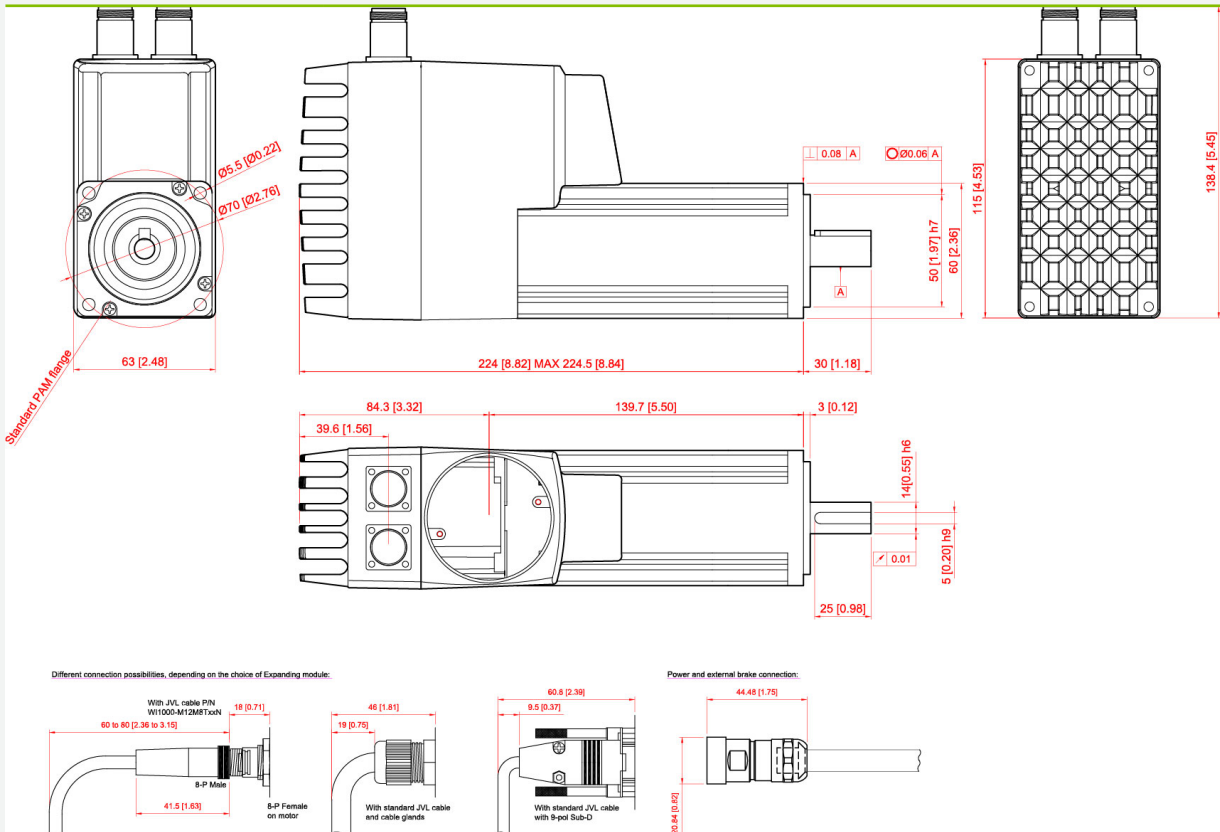
MAC402-D6-FRGM-A011

Int.Servo.AC 400WS1 1.28Nm IP66 Abs STO Coating

Mechanical information

CAD 3D [EASM]	No	CAD 3D [IGES]	Download
Datasheet - pdf	Download	User Manual	Download
REACH SVHC document	Download	Low voltage Directive	LVD conformity with EU standard: EN 60034-1 :2010/AC:2021

No Dual Use [Read more here](#)



Shaft Seal

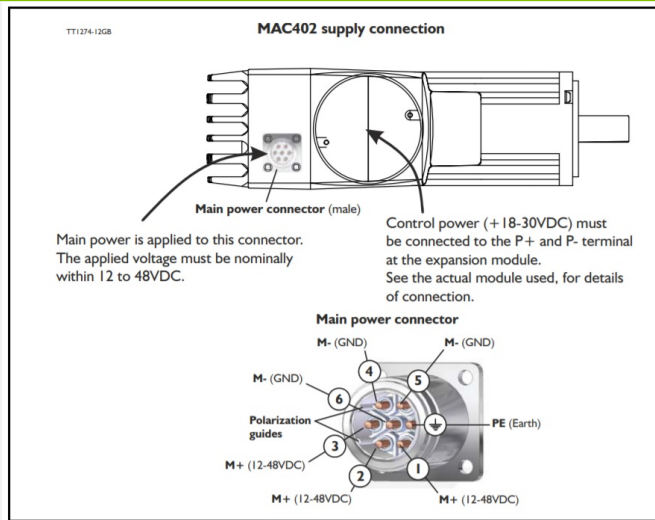


MAC402-D6-FRGM-A011

Int.Servo.AC 400WS1 1.28Nm IP66 Abs STO Coating

Connector information

Motor connectors



Connector Power M16 7-pin male **Connector Power Supplier**

Connector Power direction Straight

PDO Connector Type - **Connector PDO Supplier**

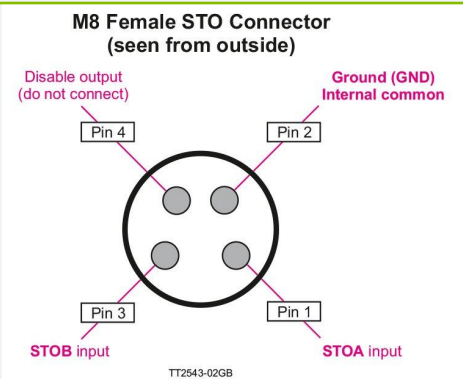
Connector STO M8 4-pin female A-coded

Picture of STO

"STO" (X0) connector M8 - 4 pin male connector				
Signal name	Description	Pin no.	JVL Cable W1010-M08M4TxxP	Isolation group (see note)
STOA	STO channel A	1	Brown	1
GND	Ground for the STO signals	2	Inner screen	1
STOB	STO channel B	3	Black	1
24V out	DO NOT CONNECT !	4	(do not exist)	1

Connector housing/metal is connected to earth and at JVL supplied cables also to the cable screen.

Picture STO Con



Expansion connector Generation 1 and 2

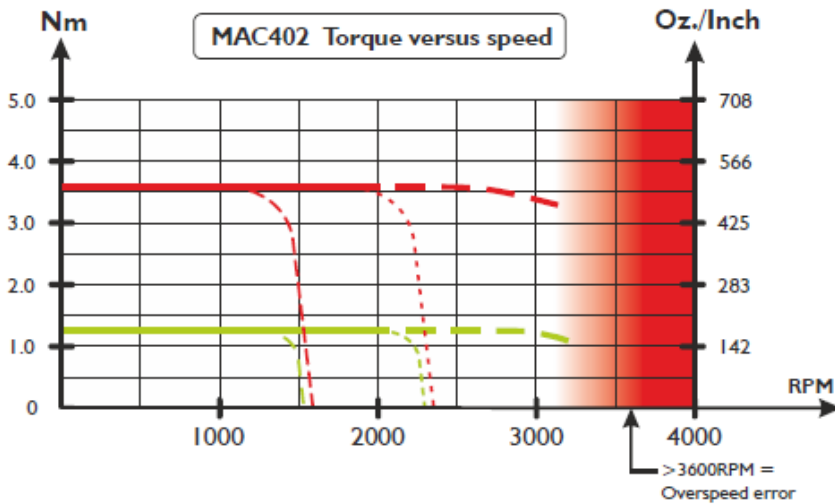


MAC402-D6-FRGM-A011

Int.Servo.AC 400WS1 1.28Nm IP66 Abs STO Coating

Torque, force and Power information

RMS torque [Nm]	1.28	Peak torque [Nm]	3.8
Supply Volt 1 [V]	12	Supply Volt 2 [V]	24
Supply Volt 3 [V]	48	Supply Volt 4 [V]	



Conditions:
 Supply voltage = 12-48VDC
 Ambient temperature < 40°C
 Torque setting = 300% (max)
 Load setting = 1.0

Operation above 3000 RPM can be done, but the losses in the motor makes it impossible to operate in this area cyclicly.

Please be aware that an overspeed error will occur if the speed gets equal or higher than 3600 RPM.

- = Peak Torque @12V
- = Peak Torque @18V
- = Peak Torque @24 to 48V
- = Average Torque @12V
- = Average Torque @18V
- = Average Torque @24 to 48V



MAC402-D6-FRGM-A011

Int.Servo.AC 400WS1 1.28Nm IP66 Abs STO Coating

Electrical information

Main supply [V]	12-48	Main supply Min-Max [V]	10-50
Voltage type - Main	DC	Main Voltage possible	
Inrush current -Main max [A]		Inrush special	No
Recommended fuse	T15A@24V / T30A@48V	P- isolated from Earth (Low Voltage ground (P-) isolated from housing)	No
Bus Supply Voltage Min [V]		Busvoltage Overvoltage limit [VDC]	63V
Power Dump Voltage Active Level [V]		Internal Power-Dump Resistance [Ohm]	11.3
Internal Power-Dump Power [W]	6	PD connection - Int/Ext	Internal PD only
External Power-Dump Resistance Minimum value [Ohm]		External Power-Dump Max Current [A]	
Control voltage (CVI/O+) [VDC]	18-28	Control Voltage (CVI) Min-Max [VDC]	18-30
PLC no. of DI	-	PLC no. of DO	2
PLC no. of DIO	-	PLC no. of AIN	2
Analogue voltage	-/+10VDC, -/+11bit	Multifunction IOs	2
Multifunction Nom. level [V]		Multifunction Maximum level [V]	
Multifunction Low trigger level [V]		Multifunction High trigger level [V]	
Resistance [Ohm]		Induction [mH]	
MTBF 100% [Year]	-	MTBF 30% [Year]	-



JVL A/S | Bregnerødvej 127 | DK-3460 Birkerød | Denmark | Tel. (+45) 4582 4440 | www.jvl.dk | sales@jvl.dk

MAC402-D6-FRGM-A011

Int.Servo.AC 400WS1 1.28Nm IP66 Abs STO Coating

Communication information

Software MacTalk

**Connectivity:
Without module** RS232 - 5VDC, Modbus RTU **e-PLC Files**

**Connectivity:
Gen. 1 modules** Yes

**Connectivity:
Gen. 2 modules** Yes



MAC402-D6-FRGM-A011

Int.Servo.AC 400WS1 1.28Nm IP66 Abs STO Coating

Cable information

Item number	Mount on	Cable con 1 +Con 1 angle	Cable application	Wires no totally	Cable length [m]
Item description		Cable con 2 +Con 2 angle	Cable flexibility	Wire [mm2]	Connector 1 LED
WP0502	Connector Power	M16 7-pin female - 0° Straight	Power	7	2
MAC402 24-48VDC Power 2m 0°		Open Ended - n/a	Standard	0.75	n/a
WP0502-CN	Connector Power	M16 7-pin female - 0° Straight	Power	7	2
MAC402 24-48VDC Power 2m 0°		Open Ended - n/a	Standard	0.75	n/a
WP0505	Connector Power	M16 7-pin female - 0° Straight	Power	7	5
MAC402 24-48VDC Power 5m 0°		Open Ended - n/a	Standard	0.75	n/a
WP0505-CN	Connector Power	M16 7-pin female - 0° Straight	Power	7	5
MAC402 24-48VDC Power 5m 0°		Open Ended - n/a	Standard	0.75	n/a
WP0510	Connector Power	M16 7-pin female - 0° Straight	Power	7	10
MAC402 24-48VDC Power 10m 0°		Open Ended - n/a	Standard	0.75	n/a
WP0510-W	Connector Power	M16 7-pin female - 0° Straight	Power	7	10
MAC402 24-48VDC Power 10m 0°, 3D+UL Robot		Open Ended - n/a	Robotic - 3D	0.75	n/a
WP0520	Connector Power	M16 7-pin female - 0° Straight	Power	7	20
MAC402 24-48VDC Power 20m 0°		Open Ended - n/a	Standard	0.75	n/a
WP0520-CN	Connector Power	M16 7-pin female - 0° Straight	Power	7	20
MAC402 24-48VDC Power 20m 0°		Open Ended - n/a	Standard	0.75	n/a
WP0602	Connector Power	M16 7-pin female - 90° Angled	Power	7	2
MAC402 24-48VDC Power 2m 90°		Open Ended - n/a	Standard	0.75	n/a
WP0605	Connector Power	M16 7-pin female - 90° Angled	Power	7	5
MAC402 24-48VDC Power 5m 90°		Open Ended - n/a	Standard	0.75	n/a
WP0605-UL	Connector Power	M16 7-pin female - 90° Angled	Power	7	5
MAC402 24-48VDC Power 5m 90°, UL		Open Ended - n/a	Standard	0.75	n/a
WP0620	Connector Power	M16 7-pin female - 90° Angled	Power	7	20
MAC402 24-48VDC Power 20m 90°		Open Ended - n/a	Standard	0.75	n/a
WI1010-M08M4STO	Connector STO	M8 4-pin male A-coded - n/a	STO	4	Connector
M8 STO Disable plug for MIS17/23/34/43		- n/a	n/a	0.2	
WI1010-M08M4T03P	Connector STO	M8 4-pin male A-coded - 180° Straight	STO	4	3
M8 STO 4Pin Male 0° Con Shl Yel 3m 1xcon		Open Ended - n/a	Standard	0.2	No
WI1010-M08M4T05P	Connector STO	M8 4-pin male A-coded - 180° Straight	STO	4	10
M8 STO 4Pin Male 0° Con Shl Yel 5m 1xcon		Open Ended - n/a	Standard	0.2	No
WI1010-M08M4T1.5P	Connector STO	M8 4-pin male A-coded - 180° Straight	STO		1.5
M8 STO 4Pin Male 0° Con Shl Yel 1.5 m 1xcon, PA014		- n/a	Standard		No
WI1010-M08M4T15P	Connector STO	M8 4-pin male A-coded - 180° Straight	STO	4	15
M8 STO 4Pin Male 0° Con. shl. Yel 15m 1xCon		Open Ended - n/a	Standard	0.2	No
WI1010-M08M4T20P	Connector STO	M8 4-pin male A-coded - 180° Straight	STO	4	20
M8 STO 4P Male 0° Con. shl. Yel 20m		Open Ended - n/a	Standard	0.2	No
WI1010-M08M4TF3T.3P	Connector STO	M8 4-pin male A-coded - 180° Straight	STO		0.3
M8 STO shl cable Male 4 pin to Female 3 pin.		M08 3-pin female A-coded - n/a	Standard		No
WI1010-M08M4TM4T10P	Connector STO	M8 4-pin male A-coded - 180° Straight	STO	4	10
M8 STO 4P Male 0°/4P Male 0° shl. Yel10m 2xCon		M08 4-pin male A-coded - n/a	Standard	0.2	No
WI1010-M08M4TM4T20P	Connector STO	M8 4-pin male A-coded - 180° Straight	STO	4	20
M8 STO 4P Male 0°/4P Male 0° shl. Yel20m 2xCon		M08 4-pin male A-coded - n/a	Standard	0.2	No
WI1010-M08M4V05P	Connector STO	M8 4-pin male A-coded - 90° Angled	STO	4	5
M8 STO 4Pin Male 90° Con. shl. Yel 5m 1xCon		Open Ended - n/a	Standard	0.2	No
WI1010-M08M4V10P	Connector STO	M8 4-pin male A-coded - 90° Angled	STO	4	10
M8 STO 4Pin Male 90° Con. shl. Yel 10m 1xCon		Open Ended - n/a	Standard	0.2	No
WI1010-M08M4VF4T01P	Connector STO	M8 4-pin male A-coded - 90° Angled	STO	4	1
M8 STO 4P Male 90°/4P Fem 0° shl. yel 1m 2xCon		M08 4-pin female A-coded - n/a	Standard	0.2	No
WI1010-M08M4VF4T02P	Connector STO	M8 4-pin male A-coded - 90° Angled	STO	4	2
M8 STO 4P Male 90°/4P Fem 0° shl. yel 2m 2xCon		M08 4-pin female A-coded - n/a	Standard	0.2	No
WI1010-M08M4VF4T03P	Connector STO	M8 4-pin male A-coded - 90° Angled	STO	4	3
M8 STO 4P Male 90°/4P Fem 0° shl. yel 3m 2xCon		M08 4-pin female A-coded - n/a	Standard	0.2	No
WI1010-M08M4VM4V10P	Connector STO	M8 4-pin male A-coded - 90° Angled	STO	4	10
M8 STO 4P Male 90°/4P Male 90° shl. Yel 10m 2xCon		M08 4-pin male A-coded - n/a	Standard	0.2	No
WI1010-M08M4VM4V20P	Connector STO	M8 4-pin male A-coded - 90° Angled	STO	4	20



MAC402-D6-FRGM-A011

Int.Servo.AC 400WS1 1.28Nm IP66 Abs STO Coating

Cable information

Item number	Mount on	Cable con 1 +Con 1 angle	Cable application	Wires no totally	Cable length [m]
Item description		Cable con 2 +Con 2 angle	Cable flexibility	Wire [mm2]	Connector 1 LED
M8 STO 4P Male 90°/4P Male 90° shl. Yel 20m 2xCon		M08 4-pin male A-coded - n/a	Standard	0.2	No
WI1000-M12F12S05N	PDO Connector type	M12 12-pin female A-coded - 180° Straight	Power/Motor/com	12	5
M12 Cable 5m 12 pin Fem 0° RS422		Open Ended - n/a	Standard	0.32	No
WI1000-M12F12V05N	PDO Connector type	M12 12-pin female A-coded - 90° Angled	Power/Motor/com	12	5
M12 Shl Cable 5m 12 pin Fem 90° RS422		Open Ended - n/a	Standard	0.32	No
WI1000-M12F5T02N	PDO Connector type	M12 5-pin female A-coded - 180° Straight	Power/Motor/com	5	2
M12 Shl Cable 2m 5 pin Fem 0°, Power		Open Ended - n/a	Standard	0.32	No
WI1000-M12F5T05N	PDO Connector type	M12 5-pin female A-coded - 180° Straight	Power/Motor/com	5	5
M12 Shl Cable 5m 5 pin Fem 0°, Power		Open Ended - n/a	Standard	0.32	No
WI1000-M12F5T1.2N	PDO Connector type	M12 5-pin female A-coded - 180° Straight	Power/Motor/com	5	1.2
M12 Shl Cable 1.2m 5 pin Fem 0°, Power		Open Ended - n/a	Standard	0.32	No
WI1000-M12F5T10N	PDO Connector type	M12 5-pin female A-coded - 180° Straight	Power/Motor/com	5	10
M12 Shl Cable 10m 5 pin Fem 0°, Power		Open Ended - n/a	Standard	0.32	No
WI1000-M12F5T10R	PDO Connector type	M12 5-pin female A-coded - 180° Straight	Power/Motor/com	5	10
M12 Shl Cable 10m 5 pin Fem 0°, Power, High-flex		Open Ended - n/a	Cable Chains - 2D	0.34	No
WI1000-M12F5T20N	PDO Connector type	M12 5-pin female A-coded - 180° Straight	Power/Motor/com	5	20
M12 Shl Cable 20m 5 pin Fem 0°, Power		Open Ended - n/a	Standard	0.32	No
WI1000-M12F5TLT0185	PDO Connector type	M12 5-pin female A-coded - 180° Straight	Power/Motor/com	5	3
M12 shl Cable 3m 5 pin female 0°,PW SPEC		- n/a	Standard	0.32	No
WI1000-M12F5TM5T1.5N	PDO Connector type	M12 5-pin female A-coded - 180° Straight	Power/Motor/com		1.5
M12 A Code Shl Cable 1.5m 5 pin Female/Male 0° Pow		- n/a			No
WI1000-M12F5V05N	PDO Connector type	M12 5-pin female A-coded - 90° Angled	Power/Motor/com	5	5
M12 Shl Cable 5m 5 pin Fem 90°, Power		Open Ended - n/a	Standard	0.32	No
WI1000-M12F5V05R	PDO Connector type	M12 5-pin female A-coded - 90° Angled	Power/Motor/com		5
M12 Shl Cable 5m 5 pin Fem 90°, Power, 3D		- n/a			No
WI1000-M12F5V10N	PDO Connector type	M12 5-pin female A-coded - 90° Angled	Power/Motor/com	5	10
M12 Shl Cable 10 m 5 pin Fem 90°, Power		Open Ended - n/a	Standard	0.32	No
WI1000-M12F5V20N	PDO Connector type	M12 5-pin female A-coded - 90° Angled	Power/Motor/com	5	20
M12 Shl Cable 20m 5 pin Fem 90°, Power		Open Ended - n/a	Standard	0.32	No
WI1000-M12F5W05N	PDO Connector type	M12 5-pin female A-coded - 90° Angled	Power/Motor/com	5	5
M12 Shl Cable 5m LED 5p Fem 90°, Power <50V		Open Ended - n/a	Standard	0.32	LED
WI1000-M12F5W10N	PDO Connector type	M12 5-pin female A-coded - 90° Angled	Power/Motor/com	5	10
M12 Shl Cable 10m LED 5 p Fem 90°, Power <50V		Open Ended - n/a	Standard	0.32	LED
WI1000-M12F5W15N	PDO Connector type	M12 5-pin female A-coded - 90° Angled	Power/Motor/com	5	15
M12 Shl Cable 15m LED 5 p Fem 90°, Power <50V		Open Ended - n/a	Standard	0.32	LED
WI1000-M12F5W20N	PDO Connector type	M12 5-pin female A-coded - 90° Angled	Power/Motor/com	5	20
M12 Shl Cable 20m LED 5 p Fem 90°, Power <50V		Open Ended - n/a	Standard	0.32	LED
WI1000-M12F5WF5W20N	PDO Connector type	M12 5-pin female A-coded - 90° Angled	Power/Motor/com	5	20
M12 shl cab 20m LED 5 pin female 90°,Pow <50V		M12 5-pin female A-coded - n/a	Standard	0.32	LED
WI1000-M12F8T05N	PDO Connector type	M12 8-pin female A-coded - 180° Straight	Power/Motor/com	8	5
M12 Shl Cable 5m 8 p Fem 0°, Basic IO		Open Ended - n/a	Standard	0.32	No
WI1000-M12F8T20N	PDO Connector type	M12 8-pin female A-coded - 180° Straight	Power/Motor/com	8	20
M12 Shl Cable 20m 8 p Fem 0°, Basic IO		Open Ended - n/a	Standard	0.32	No
WI1000-M12F8V05N	PDO Connector type	M12 8-pin female A-coded - 90° Angled	Power/Motor/com	8	5
M12 Shl Cable 5m 8 p Fem 90°, Basic IO		Open Ended - n/a	Standard	0.32	No
WI1000-M12F8V20N	PDO Connector type	M12 8-pin female A-coded - 90° Angled	Power/Motor/com	8	20
M12 Shl Cable 20m 8 p Fem 90°, Basic IO		Open Ended - n/a	Standard	0.32	No
WI1000-M12M4TF4T01N	PDO Connector type	M12 4-pin male A-coded - 180° Straight	Power/Motor/com	4	1
M12 cable 1m Male4p 0° Fem4pin 0° std cable		M12 4-pin female A-coded - n/a	Standard	0.32	No
WI1000-M12M4TF4T02N	PDO Connector type	M12 4-pin male A-coded - 180° Straight	Power/Motor/com	4	2
M12 cable 2m Male4p 0° Fem4pin 0° std cable		M12 4-pin female A-coded - n/a	Standard	0.32	No
WI1000-M12M4TF4T03N	PDO Connector type	M12 4-pin male A-coded - 180° Straight	Power/Motor/com	4	3
M12 cable 3m Male4p 0° Fem4pin 0° std cable		M12 4-pin female A-coded - n/a	Standard	0.32	No
WI1000-M12M5A05N	PDO Connector type	M12 5-pin male A-coded - 90° Angled	Power/Motor/com	5	5
M12 cable 5m, 5 pin male 90°, COM2/ B4		Open Ended - n/a	Standard	0.32	No



MAC402-D6-FRGM-A011

Int.Servo.AC 400WS1 1.28Nm IP66 Abs STO Coating

Cable information

Item number	Mount on	Cable con 1 +Con 1 angle	Cable application	Wires no totally	Cable length [m]
Item description		Cable con 2 +Con 2 angle	Cable flexibility	Wire [mm2]	Connector 1 LED
WI1000-M12M5T05N	PDO Connector type	M12 5-pin male A-coded - 180° Straight	Power/Motor/com	5	5
M12 Shl Cable 5m 5 p Male 0°, COM		Open Ended - n/a	Standard	0.32	No
WI1000-M12M5T20N	PDO Connector type	M12 5-pin male A-coded - 180° Straight	Power/Motor/com	5	20
M12 Shl Cable 20m 5 p Male 0°, COM		Open Ended - n/a	Standard	0.32	No
WI1000-M12M5TF5T.5N	PDO Connector type	M12 5-pin male A-coded - 180° Straight	Power/Motor/com	5	0.5
M12 Shl Cable .5m 5p Male 0° to 5p Fem 0		M12 5-pin female A-coded - n/a	Standard	0.32	No
WI1000-M12M5TF5T01N	PDO Connector type	M12 5-pin male A-coded - 180° Straight	Power/Motor/com	5	1
M12 Shl Cable 1m 5p Male 0° to 5p Fem 0°		M12 5-pin female A-coded - n/a	Standard	0.32	No
WI1000-M12M5TF5T02N	PDO Connector type	M12 5-pin male A-coded - 180° Straight	Power/Motor/com	5	2
M12 Shl Cable 2m 5p Male 0° to 5p Fem 0°		M12 5-pin female A-coded - n/a	Standard	0.32	No
WI1000-M12M5TF5T02T	PDO Connector type	M12 5-pin male A-coded - 180° Straight	Power/Motor/com	5	2
M12 Cable 2m 5pM 180° to 5pF 180° twisted, power c		M12 5-pin female A-coded - n/a	Standard	0.32	No
WI1000-M12M5TF5T03N	PDO Connector type	M12 5-pin male A-coded - 180° Straight	Power/Motor/com	5	3
M12 Shl Cable 3m 5p Male 0° to 5p Fem 0°		M12 5-pin female A-coded - n/a	Standard	0.32	No
WI1000-M12M5V05N	PDO Connector type	M12 5-pin male A-coded - 90° Angled	Power/Motor/com	5	5
M12 Shl Cable 5m 5 p Male 90°, COM		Open Ended - n/a	Standard	0.32	No
WI1000-M12M5V20N	PDO Connector type	M12 5-pin male A-coded - 90° Angled	Power/Motor/com	5	20
M12 Shl Cable 20m 5 p Male 90°, COM		Open Ended - n/a	Standard	0.32	No
WI1000-M12M8T02N	PDO Connector type	M12 8-pin male A-coded - 180° Straight	Power/Motor/com	8	2
M12 Shl Cable 2m 8 p Male 0° COM1/Ext IO		Open Ended - n/a	Standard	0.32	No
WI1000-M12M8T05N	PDO Connector type	M12 8-pin male A-coded - 180° Straight	Power/Motor/com	8	5
M12 Shl Cable 5m 8 p Male 0° COM1/Ext IO		Open Ended - n/a	Standard	0.32	No
WI1000-M12M8T20N	PDO Connector type	M12 8-pin male A-coded - 180° Straight	Power/Motor/com	8	20
M12 Shl Cable 20m 8 p Male 0° COM1/ExtIO		Open Ended - n/a	Standard	0.32	No
WI1000-M12M8T20R	PDO Connector type	M12 8-pin male A-coded - 180° Straight	Power/Motor/com		20
M12 Shl Cable 20m 8 p Male 0° 2D cable chain		- n/a			No
WI1000-M12M8TF4LT186	PDO Connector type	M12 8-pin male A-coded - 180° Straight	Power/Motor/com	8	5
M12 shl cable5m, M12 M8, M8 F4 0° IO		M12 4-pin female A-coded - n/a		0.32	No
WI1000-M12M8TLT0184	PDO Connector type	M12 8-pin male A-coded - 180° Straight	Power/Motor/com	8	5
M12 shl cable5m, 8 pin male 0° IO SPEC		M12 4-pin female A-coded - n/a		0.32	No
WI1000-M12M8V05N	PDO Connector type	M12 8-pin male A-coded - 90° Angled	Power/Motor/com	8	5
M12 Shl Cable 5m 8 p Mal 90° COM1/ExtIO		Open Ended - n/a	Standard	0.2	No
WI1000-M12M8V20N	PDO Connector type	M12 8-pin male A-coded - 90° Angled	Power/Motor/com	8	20
M12 Shl Cable 20m 8 p Mal 90° COM1/ExtIO		Open Ended - n/a	Standard	0.2	No
WI1000-M8F2T05N	PDO Connector type	M8 2-pin female A-coded - 180° Straight	Power/Motor/com		5
M8 Cable 5m 2pin Fem 0° shield		Open Ended - n/a	Standard		No
WI1000-M8F4A03N005	PDO Connector type	M8 4-pin female A-coded - 90° Angled	Power/Motor/com		3
M8 Cable 3m 4 pin Fem 90° with Molex		Molex 2-pin - n/a	Standard		No
WI1000-M8F4A05N005	PDO Connector type	M8 4-pin female A-coded - 90° Angled	Power/Motor/com		5
M8 Cable 5m 4 pin Fem 90° with Molex		Molex 2-pin - n/a	Standard		No
WI1000-M8F4A10N005	PDO Connector type	M8 4-pin female A-coded - 90° Angled	Power/Motor/com		10
M8 Cable 10m 4 pin Fem 90° with Molex		Molex 2-pin - n/a	Standard		No
WI1000-M8F4A10R	PDO Connector type	M8 4-pin female A-coded - 90° Angled	Power/Motor/com		10
M8 Cable 10m 4 pin Fem 90°, High-flex PUR		Open Ended - n/a	Standard		No
WI1000-M8F4B20N	PDO Connector type	M8 4-pin female A-coded - 180° Straight	Power/Motor/com		10
M8 Cable 20m 4 pin Fem 0° Not shielded		Open Ended - n/a	Standard		No
WI1000-M8M3S05R	PDO Connector type	M8 3-pin male A-coded - 180° Straight	Power/Motor/com		5
M8 Cable 5m 3 pin Male 0°		Open Ended - n/a	Standard		No
WI1000-M8M3S1.5R	PDO Connector type	M8 3-pin male A-coded - 180° Straight	Power/Motor/com		1.5
M8 Cable 1.5m 3 pin Male 0°		Open Ended - n/a	Standard		No
WI1004-M12M5TM5T05N	PDO Connector type	M12 5-pin male - 180° Straight			5
M12 Cab 5m, M5p- M5p, RS232. Std cable		M12 5-pin male - n/a			No
WI1005-M12F5TF5T03P	PDO Connector type	M12 5-pin female A-coded - 180° Straight	Communication		3
M12 Cab 3m, 5p Fem - 5p Fem twistedPair		M12 5-pin female A-coded - n/a		0.32	No
WI1005-M12F5TM5T2.0N	PDO Connector type	M12 5-pin female A-coded - 180° Straight	Communication		2



MAC402-D6-FRGM-A011

Int.Servo.AC 400WS1 1.28Nm IP66 Abs STO Coating

Cable information

Item number	Mount on	Cable con 1 +Con 1 angle	Cable application	Wires no totally	Cable length [m]
Item description		Cable con 2 +Con 2 angle	Cable flexibility	Wire [mm2]	Connector 1 LED
M12 cable 2m, 5 pin female - 5pin male		M12 5-pin male A-coded - n/a	Standard	0.32	No
WI1005-M12M17SAA01	PDO Connector type	M12 17-pin male A-coded - 180° Straight	Communication	n/a	Connector
M12 17-pin male Axis 1 Without wire		n/a - n/a	n/a	n/a	No
WI1005-M12M17SAA01W	PDO Connector type	M12 17-pin male A-coded - 180° Straight	Communication	n/a	Connector
M12 17-pin male Axis 1, with wire 1,2m		n/a - n/a	n/a	n/a	No
WI1005-M12M17SAA02	PDO Connector type	M12 17-pin male A-coded - 180° Straight	Communication	n/a	Connector
M12 17-pin male Axis 2 Without wire		n/a - n/a	n/a	n/a	No
WI1005-M12M17SAA03	PDO Connector type	M12 17-pin male A-coded - 180° Straight	Communication	n/a	Connector
M12 17-pin male Axis 3 Without wire		n/a - n/a	n/a	n/a	No
WI1005-M12M17SAA04	PDO Connector type	M12 17-pin male A-coded - 180° Straight	Communication	n/a	Connector
M12 17-pin male Axis 4 Without wire		n/a - n/a	n/a	n/a	No
WI1005-M12M17SAA05	PDO Connector type	M12 17-pin male A-coded - 180° Straight	Communication	n/a	Connector
M12 17-pin male Axis 5 Without wire		n/a - n/a	n/a	n/a	No
WI1005-M12M17SAA06	PDO Connector type	M12 17-pin male A-coded - 180° Straight	Communication	n/a	Connector
M12 17-pin male Axis 6 Without wire		n/a - n/a	n/a	n/a	No
WI1005-M12M17SAA06W	PDO Connector type	M12 17-pin male A-coded - 180° Straight	Communication	n/a	Connector
M12 17-pin male Axis 6 with wire 1,2m		n/a - n/a	n/a	n/a	No
WI1005-M12M17SAA07	PDO Connector type	M12 17-pin male A-coded - 180° Straight	Communication	n/a	Connector
M12 17-pin male Axis 7 Without wire		n/a - n/a	n/a	n/a	No
WI1005-M12M17SAA08	PDO Connector type	M12 17-pin male A-coded - 180° Straight	Communication	n/a	Connector
M12 17-pin male Axis 8 Without wire		n/a - n/a	n/a	n/a	No
WI1005-M12M17SAA09	PDO Connector type	M12 17-pin male A-coded - 180° Straight	Communication	n/a	Connector
M12 17-pin male Axis 9 Without wire		n/a - n/a	n/a	n/a	No
WI1005-M12M17SAA10	PDO Connector type	M12 17-pin male A-coded - 180° Straight	Communication	n/a	Connector
M12 17-pin male Axis 10 Without wire		n/a - n/a	n/a	n/a	No
WI1005-M12M5STR6	PDO Connector type	M12 5-pin male A-coded - 180° Straight	Communication	n/a	Connector
M12 5-pin male A Code Resistor RS485		n/a - n/a	n/a	n/a	No
WI1005-M12M5TF5T.2N	PDO Connector type	M12 5-pin male A-coded - 180° Straight	Communication		0.2
M12 Cab 0.2m, 5p Mal - 5p Fem, RS485 .Std cable		M12 5-pin male A-coded - n/a	Standard	0.32	No
WI1005-M12M5TM5T01N	PDO Connector type	M12 5-pin male A-coded - 180° Straight	Communication		1
M12 Cab 1m, 5p Mal - 5p Mal, RS485. Std cable		M12 5-pin male A-coded - n/a	Standard	0.32	No
WI1005-M12M8QM5V.3N	PDO Connector type	M12 8-pin male A-coded - 90° Angled	Communication		0.3
M12 Shl Cab 0.3m 8p Mal 5p Mal 90° RS485 twisted		M12 5-pin male A-coded - n/a	Standard	0.32	No
WI1005-M12M8S10N	PDO Connector type	M12 8-pin male A-coded - 180° Straight	Communication	8	10
M12 Shl Cable 10m, 8 p Male MAC00-B41 twisted		Open Ended - n/a	Standard	0.32	No
WI1005-M12M8STR5	PDO Connector type	M12 8-pin male A-coded - 180° Straight	Communication	n/a	Connector
M12 8-pin male A Code Resistor RS485		n/a - n/a	n/a	0.32	No
WI1005-M12M8TF8T20N	PDO Connector type	M12 8-pin male A-coded - 180° Straight	Communication	8	20
M12 Shl Cab 20m 8p Male 8p Female 0° 2x4p twisted		M12 8-pin female A-coded - n/a		0.32	No
WI1005-M12M8TM5T.3N	PDO Connector type	M12 8-pin male A-coded - 180° Straight	Communication	5	0.3
M12 Shl Cab 0,3 m 8p Male 5p Male 0° RS485 twisted		M12 5-pin male A-coded - n/a	Standard	0.32	No
WI1005-M12M8TM5T.5N	PDO Connector type	M12 8-pin male A-coded - 180° Straight	Communication	5	0.5
M12 Shl Cab 0,5 m 8p Male 5p Male 0° RS485 twisted		M12 5-pin male A-coded - n/a	Standard	0.32	No
WI1005-M12M8TM5T05N	PDO Connector type	M12 8-pin male A-coded - 180° Straight	Communication	5	5
M12 Shl Cab 5m 8p Male 5p Male 0° RS485 twisted		M12 5-pin male A-coded - n/a	Standard	0.32	No
WI1005-M12M8VM5V.5N	PDO Connector type	M12 8-pin male A-coded - 90° Angled	Communication	5	0,5
M12 Shl Cab 0.5m 8pMale 5pMale 90° RS485 twisted		M12 5-pin male A-coded - n/a	Standard	0.32	No
WI1005-M12M8VM5V03N	PDO Connector type	M12 8-pin male A-coded - 90° Angled	Communication	5	3
M12 Shl Cab3m 8p Male 5p Male 90° RS485 twisted		M12 5-pin male A-coded - n/a	Standard	0.32	No
WI1005-M12M8VM5V10N	PDO Connector type	M12 8-pin male A-coded - 90° Angled	Communication	5	10
M12 Shl Cab10m 8p Male 5p Male 90° RS485 twisted		M12 5-pin male A-coded - n/a	Standard	0.32	No
WI1005-M12M8VM5V20N	PDO Connector type	M12 8-pin male A-coded - 90° Angled	Communication	5	20
M12 Shl Cab20m 8p Male 5p Male 90° RS485 twisted		M12 5-pin male A-coded - n/a	Standard	0.32	No
WI1006-M12F5S02.5R	PDO Connector type	M12 5-pin female A-coded CAN - 180° Straight	CANopen/DeviceNet 4		2.5
M12 2.5m, 5 p Fem 0° CAN/DeviceNet		Open Ended - n/a	Robotic - 3D	0.32 + 0.2	No



MAC402-D6-FRGM-A011

Int.Servo.AC 400WS1 1.28Nm IP66 Abs STO Coating

Cable information

Item number	Mount on	Cable con 1 +Con 1 angle	Cable application	Wires no totally	Cable length [m]
Item description		Cable con 2 +Con 2 angle	Cable flexibility	Wire [mm2]	Connector 1 LED
WI1006-M12F5S05R	PDO Connector type	M12 5-pin female A-coded CAN - 180° Straight	CANopen/DeviceNet 4		5
M12 5m, 5 p Fem 0° CAN 2D flexible		Open Ended - n/a	Robotic - 3D	0.32 + 0.2	No
WI1006-M12F5S15R	PDO Connector type	M12 5-pin female A-coded CAN - 180° Straight	CANopen/DeviceNet 4		15
M12 15m, 5 p Fem 0° CAN/DeviceNet		Open Ended - n/a	Robotic - 3D	0.32 + 0.2	No
WI1006-M12F5T.3N	PDO Connector type	M12 5-pin female A-coded CAN - 180° Straight	CANopen/DeviceNet 4		0.3
M12 0.3m 5 p Fem 0° CAN/DeviceNet		Open Ended - n/a	Standard	0.32 + 0.2	No
WI1006-M12F5T01N	PDO Connector type	M12 5-pin female A-coded CAN - 180° Straight	CANopen/DeviceNet 4		1
M12 1m 5 p Fem 0° CAN/DeviceNet		Open Ended - n/a	Standard	0.32 + 0.2	No
WI1006-M12F5T05N	PDO Connector type	M12 5-pin female A-coded CAN - 180° Straight	CANopen/DeviceNet		5
M12 5m 5p Female 0° CAN/DeviceNet		Open Ended - n/a			No
WI1006-M12F5TM5T.25N	PDO Connector type	M12 5-pin female A-coded CAN - 180° Straight	CANopen/DeviceNet 4		0.25
M12 0.25m 5p Fem/Male 0° CAN twisted pair		M12 5-pin male A-coded CAN - n/a	Standard	0.32 + 0.2	No
WI1006-M12F5TM5T01N	PDO Connector type	M12 5-pin female A-coded CAN - 180° Straight	CANopen/DeviceNet 4		1
M12 1m 5p Fem/Male 0° CAN twisted pair		M12 5-pin male A-coded CAN - n/a	Standard	0.32 + 0.2	No
WI1006-M12F5TM5T02N	PDO Connector type	M12 5-pin female A-coded CAN - 180° Straight	CANopen/DeviceNet 4		2
M12 2m 5p Fem/Male 0° CAN Twisted pair		M12 5-pin male A-coded CAN - n/a	Standard	0.32 + 0.2	No
WI1006-M12F5TM5T03N	PDO Connector type	M12 5-pin female A-coded CAN - 180° Straight	CANopen/DeviceNet 4		3
M12 3m 5p Fem/Male 0° CAN Twisted pair		M12 5-pin male A-coded CAN - n/a	Standard	0.32 + 0.2	No
WI1006-M12F5TM5T05N	PDO Connector type	M12 5-pin female A-coded CAN - 180° Straight	CANopen/DeviceNet 4		5
M12 5m 5p Fem/Male 0° CAN Twisted pair		M12 5-pin male A-coded CAN - n/a	Standard	0.32 + 0.2	No
WI1006-M12F5TM5T10N	PDO Connector type	M12 5-pin female A-coded CAN - 180° Straight	CANopen/DeviceNet 4		10
M12 10m 5p Fem/Male 0° CAN Twisted pair		M12 5-pin male A-coded CAN - n/a	Standard	0.32 + 0.2	No
WI1006-M12F5TM5T20N	PDO Connector type	M12 5-pin female A-coded CAN - 180° Straight	CANopen/DeviceNet 4		20
M12 20m 5p Fem/Male 0° CAN Twisted pair		M12 5-pin male A-coded CAN - n/a	Standard	0.32 + 0.2	No
WI1006-M12M5S05R	PDO Connector type	M12 5-pin male A-coded CAN - 180° Straight	CANopen/DeviceNet 4		5
M12 5m 5p Male 0° CAN Twisted pair		Open Ended - n/a	Robotic - 3D	0.32 + 0.2	No
WI1006-M12M5S05T	PDO Connector type	M12 5-pin male A-coded CAN - 180° Straight	CANopen/DeviceNet 4		5
M12 5m 5p Male 0° CAN Twisted pair		Open Ended - n/a	Standard	0.32 + 0.2	No
WI1006-M12M5S15R	PDO Connector type	M12 5-pin male A-coded CAN - 180° Straight	CANopen/DeviceNet 4		15
M12 15m 5p Male 0° CAN Twisted pair		Open Ended - n/a	Robotic - 3D	0.32 + 0.2	No
WI1006-M12M5T05N	PDO Connector type	-	CANopen/DeviceNet		
M12 5m 5p Male 0° CAN/DeviceNet		-			
WI1006-M12M5TM5T.3N	PDO Connector type	M12 5-pin male A-coded CAN - 180° Straight	CANopen/DeviceNet 4		0.3
M12 0.3m 5p Male/Male 0° CAN Twisted pair		M12 5-pin male A-coded CAN - n/a	Standard	0.32 + 0.2	No
WI1006-M12M5TM5T01N	PDO Connector type	M12 5-pin male A-coded CAN - 180° Straight	CANopen/DeviceNet 4		1
M12 1m 5p Male/Male 0° CAN Twisted pair		M12 5-pin male A-coded CAN - n/a	Standard	0.32 + 0.2	No
WI1006-M12M5TM5T02N	PDO Connector type	M12 5-pin male A-coded CAN - 180° Straight	CANopen/DeviceNet 4		2
M12 2m 5p Male/Male 0° CAN Twisted pair		M12 5-pin male A-coded CAN - n/a	Standard	0.32 + 0.2	No
WI1006-M12M5TM5T03N	PDO Connector type	M12 5-pin male A-coded CAN - 180° Straight	CANopen/DeviceNet 4		3
M12 3m 5p Male/Male 0° CAN Twisted pair		M12 5-pin male A-coded CAN - n/a	Standard	0.32 + 0.2	No
WI1006-M12M5TM5T05N	PDO Connector type	M12 5-pin male A-coded CAN - 180° Straight	CANopen/DeviceNet 4		5
M12 5m 5p Male/Male 0° CAN Twisted pair		M12 5-pin male A-coded CAN - n/a	Standard	0.32 + 0.2	No
WI1006-M12M5TM5T1.7N	PDO Connector type	M12 5-pin male A-coded CAN - 180° Straight	CANopen/DeviceNet 4		1.7
M12 1.7m 5p Male/Male 0° CAN Twisted pair		M12 5-pin male A-coded CAN - n/a	Standard	0.32 + 0.2	No
WI1006-M12M5TM5T20N	PDO Connector type	M12 5-pin male A-coded CAN - 180° Straight	CANopen/DeviceNet 4		20
M12 20m 5p Male/Male 0° CAN Twisted pair		M12 5-pin male A-coded CAN - n/a	Standard	0.32 + 0.2	No
WI1008-M12F5AG1	PDO Connector type	M12 5-pin female A-coded - 90° Angled	CANopen/DeviceNet		20
M12 Con 5p Fem 90° Spring Ø4-8mm cable		Open Ended - n/a			No
WI1008-M12F5SS1	PDO Connector type	M12 5-pin female A-coded - 180° Straight	CANopen/DeviceNet n/a		Connector
M12 Con 5p Fem 0° Solder assembly		- n/a	n/a	n/a	No
WI1008-M12F5TG1	PDO Connector type	M12 5-pin female A-coded - 180° Straight	CANopen/DeviceNet n/a		Connector
M12 Con 5p Fem 0° Spring Shield+B222		- n/a	n/a	n/a	No
WI1008-M12F5VG1	PDO Connector type	M12 5-pin female A-coded - 90° Angled	CANopen/DeviceNet n/a		Connector
M12 Con 5p Fem 90° Spring Shield		- n/a	n/a	n/a	No
WI1008-M12F8SC1	PDO Connector type	M12 8-pin female A-coded - 180° Straight	CANopen/DeviceNet n/a		Connector



MAC402-D6-FRGM-A011

Int.Servo.AC 400WS1 1.28Nm IP66 Abs STO Coating

Cable information

Item number	Mount on	Cable con 1 +Con 1 angle	Cable application	Wires no totally	Cable length [m]
Item description		Cable con 2 +Con 2 angle	Cable flexibility	Wire [mm2]	Connector 1 LED
M12 Con 8p Fem 0° Screw Ø4-8mm cable		- n/a	n/a	n/a	No
WI1008-M12F8SS1	PDO Connector type	M12 8-pin female A-coded - 180° Straight	CANopen/DeviceNet	n/a	Connector
M12 Con 8p Fem 0° Solder assembly		- n/a	n/a	n/a	No
WI1008-M12F8TC1	PDO Connector type	M12 8-pin female A-coded - 180° Straight	CANopen/DeviceNet	n/a	Connector
M12 Con 8p Fem 0° Screw Shield		- n/a	n/a	n/a	No
WI1008-M12F8TS1	PDO Connector type	M12 8-pin female A-coded - 180° Straight	CANopen/DeviceNet	n/a	Connector
M12 Con 8p Fem 0° Solder Shield		- n/a	n/a	n/a	No
WI1008-M12M12SS1	PDO Connector type	M12 12-pin male A-coded - 180° Straight	CANopen/DeviceNet	n/a	Connector
M12 Con 12p Male 0° Solder assembly		- n/a	n/a	n/a	No
WI1008-M12M12TS1	PDO Connector type	M12 12-pin male A-coded - 180° Straight	CANopen/DeviceNet	n/a	Connector
M12 Con 12p Male 0° Solder Shield		- n/a	n/a	n/a	No
WI1008-M12M12VS1	PDO Connector type	M12 12-pin male A-coded - 90° Angled	CANopen/DeviceNet	n/a	Connector
M12 Con 12p Male 90° Solder Shield		- n/a	n/a	n/a	No
WI1008-M12M17SR1	PDO Connector type	M12 17-pin male A-coded - 180° Straight	CANopen/DeviceNet	n/a	Connector
M12 Con 17p Male 0° Metal housing 5.4-8.2mm cable		- n/a	n/a	n/a	No
WI1008-M12M5AC1	PDO Connector type	M12 5-pin male A-coded - 90° Angled	CANopen/DeviceNet	n/a	Connector
M12 Con 5p Male 90° Screw PG7 for cable		- n/a	n/a	n/a	No
WI1008-M12M5AG1	PDO Connector type	M12 5-pin male A-coded - 90° Angled	CANopen/DeviceNet	n/a	Connector
M12 Con 5p Male 90° Spring Ø4-8mm cable		- n/a	n/a	n/a	No
WI1008-M12M5SC1	PDO Connector type	M12 5-pin male A-coded - 180° Straight	CANopen/DeviceNet	n/a	Connector
M12 Con 5p Male 0° Screw PG7 cable		- n/a	n/a	n/a	No
WI1008-M12M5SS1	PDO Connector type	M12 5-pin male A-coded - 180° Straight	CANopen/DeviceNet	n/a	Connector
M12 Con 5p Male 0° Solder assembly		- n/a	n/a	n/a	No
WI1008-M12M5STR4	PDO Connector type	M12 5-pin male A-coded - 180° Straight	CANopen/DeviceNet	n/a	Connector
M12 Con 5-pin male A Code Resistor CAN		- n/a	n/a	n/a	No
WI1008-M12M5TC1	PDO Connector type	M12 5-pin male A-coded - 180° Straight	CANopen/DeviceNet	n/a	Connector
M12 Con 5p Male A-coded Screw Shield		- n/a	n/a	n/a	No
WI1008-M12M5TG1	PDO Connector type	M12 5-pin male A-coded - 180° Straight	CANopen/DeviceNet	n/a	Connector
M12 Con 5p Male 0° Spring Shield		- n/a	n/a	n/a	No
WI1008-M12M5VG1	PDO Connector type	M12 5-pin male A-coded - 90° Angled	CANopen/DeviceNet	n/a	Connector
M12 Con 5p Male 90° Spring Shield		- n/a	n/a	n/a	No
WI1008-M12M8SC1	PDO Connector type	M12 8-pin male A-coded - 180° Straight	CANopen/DeviceNet	n/a	Connector
M12 Con 8p Male 0° Screw Ø4-8mm cable		- n/a	n/a	n/a	No
WI1008-M12M8SS1	PDO Connector type	M12 8-pin male A-coded - 180° Straight	CANopen/DeviceNet	n/a	Connector
M12 Con 8p Male 0° Solder assembly		- n/a	n/a	n/a	No
WI1008-M12M8TC1	PDO Connector type	M12 8-pin male A-coded - 180° Straight	CANopen/DeviceNet	n/a	Connector
M12 Con 8p Male 0° Screw Shield		- n/a	n/a	n/a	No
WI1008-M12M8TS1	PDO Connector type	M12 8-pin male A-coded - 180° Straight	CANopen/DeviceNet	n/a	Connector
M12 Con 8p Male 0° Solder Shield		- n/a	n/a	n/a	No
WI1009-M12M12T05N	PDO Connector type	M12 12-pin male A-coded - 180° Straight	Basic I/O, Com	12	5
M12 Shl Cab 5m 12p Male 0° RS422 6P twisted		Open Ended - n/a	Standard	0.061	No
WI1009-M12M12T20N	PDO Connector type	M12 12-pin male A-coded - 180° Straight	Basic I/O, Com	12	20
M12 Shl Cab 20m 12p Male 0° RS422 6P twisted		Open Ended - n/a	Standard	0.061	No
WI1009-M12M17T01N	PDO Connector type	M12 17-pin male A-coded - 180° Straight	Basic I/O, Com	17	1
M12 Shl Cable 1m 17p Mal 0° MISxx,Ex41 twisted		Open Ended - n/a	Standard	0.061	No
WI1009-M12M17T05N	PDO Connector type	M12 17-pin male A-coded - 180° Straight	Basic I/O, Com	17	5
M12 Shl Cable 5m 17p Mal 0° MISxx,Ex41 twisted		Open Ended - n/a	Standard	0.061	No
WI1009-M12M17T10R	PDO Connector type	M12 17-pin male A-coded - 180° Straight	Basic I/O, Com	17	5
M12 Shl Cable 10m 17p Mal 0° MISxx,Ex41 twisted		Open Ended - n/a	Robotic - 3D	0.061	No
WI1009-M12M17T20N	PDO Connector type	M12 17-pin male A-coded - 180° Straight	Basic I/O, Com	17	20
M12 Shl Cable 20m 17p Mal 0° MISxx,Ex41 twisted		Open Ended - n/a	Standard	0.061	No
WI1009-M12M17TF17T.5	PDO Connector type	M12 17-pin male A-coded - 180° Straight	Basic I/O, Com	17	0.5
M12 Shl Cable.5m Male17p0°-Female 17p0° twist pair		M12 17-pin female A-coded - n/a	Standard	0.061	No
WI1009-M12M17TF17T01	PDO Connector type	M12 17-pin male A-coded - 180° Straight	Basic I/O, Com	17	1
M12 Shl Cable 1m Male17p0°-Female 17p0° twist pair		M12 17-pin female A-coded - n/a	Standard	0.061	No



MAC402-D6-FRGM-A011

Int.Servo.AC 400WS1 1.28Nm IP66 Abs STO Coating

Cable information

Item number	Mount on	Cable con 1 +Con 1 angle	Cable application	Wires no totally	Cable length [m]
Item description		Cable con 2 +Con 2 angle	Cable flexibility	Wire [mm2]	Connector 1 LED
WI1009-M12M17TF17T02	PDO Connector type	M12 17-pin male A-coded - 180° Straight	Basic I/O, Com	17	2
M12 Shl Cable 2m Male17p0°-Female 17p0° twist pair		M12 17-pin female A-coded - n/a	Standard	0.061	No
WI1009-M12M17TF17T04	PDO Connector type	M12 17-pin male A-coded - 180° Straight	Basic I/O, Com	17	4
M12 Shl Cable 4m Male17p0°-Female 17p0° twist pair		M12 17-pin female A-coded - n/a	Standard	0.061	No
WI1009-M12M17V05N	PDO Connector type	M12 17-pin male A-coded - 90° Angled	Basic I/O, Com	17	5
M12 Shl Cable 5m 17p Mal 90° MISxx,Ex41 twisted		Open Ended - n/a	Standard	0.061	No
WI1009-M12M17V05R	PDO Connector type	M12 17-pin male A-coded - 90° Angled	Basic I/O, Com	17	5
M12 Shl Cable 5m 17p Mal 90° MISxx,Ex41 twisted		- n/a	Robotic - 3D	0.061	No
WI1009-M12M17V10N	PDO Connector type	M12 17-pin male A-coded - 90° Angled	Basic I/O, Com	17	10
M12 Shl Cable 10m 17p Mal 90° MISxx,Ex41 twisted		Open Ended - n/a	Standard	0.061	No
WI1009-M12M8Q1.2N	PDO Connector type	M12 8-pin male A-coded - 90° Angled	Basic I/O, Com	8	1.2
M12 Shl Cable 1.2m 8p Male 90° 4P twisted		Open Ended - n/a	Standard	0.32	No
WI1009-M12M8V05N	PDO Connector type	M12 8-pin male A-coded - 90° Angled	Basic I/O, Com	8	5
M12 Shl Cable 5m 8 p Male 90° 4P twisted		Open Ended - n/a	Standard	0.32	No
WI1009-M12M8V20N	PDO Connector type	M12 8-pin male A-coded - 90° Angled	Basic I/O, Com	8	20
M12 Shl Cable 20m 8 p Male 90° 4P twisted		Open Ended - n/a	Standard	0.32	No
WI1010-M08M2T05P	PDO Connector type	M8 2-pin male A-coded - 180° Straight	STO	2	5
M8 STO shl cable 3pin 2wire male 5m		Open Ended - n/a	Standard	0.2	No
WI1010-M08M4STO	PDO Connector type	M8 4-pin male A-coded - n/a	STO	4	Connector
M8 STO Disable plug for MIS17/23/34/43		- n/a	n/a	0.2	
WI1010-M08M4T03P	PDO Connector type	M8 4-pin male A-coded - 180° Straight	STO	4	3
M8 STO 4Pin Male 0° Con Shl Yel 3m 1xcon		Open Ended - n/a	Standard	0.2	No
WI1010-M08M4T05P	PDO Connector type	M8 4-pin male A-coded - 180° Straight	STO	4	10
M8 STO 4Pin Male 0° Con Shl Yel 5m 1xcon		Open Ended - n/a	Standard	0.2	No
WI1010-M08M4T1.5P	PDO Connector type	M8 4-pin male A-coded - 180° Straight	STO	4	1.5
M8 STO 4Pin Male 0° Con Shl Yel 1.5 m 1xcon, PA014		- n/a	Standard	0.2	No
WI1010-M08M4T15P	PDO Connector type	M8 4-pin male A-coded - 180° Straight	STO	4	15
M8 STO 4Pin Male 0° Con. shl. Yel 15m 1xCon		Open Ended - n/a	Standard	0.2	No
WI1010-M08M4T20P	PDO Connector type	M8 4-pin male A-coded - 180° Straight	STO	4	20
M8 STO 4P Male 0° Con. shl. Yel 20m		Open Ended - n/a	Standard	0.2	No
WI1010-M08M4TF3T.3P	PDO Connector type	M8 4-pin male A-coded - 180° Straight	STO	4	0.3
M8 STO shl cable Male 4 pin to Female 3 pin.		M08 3-pin female A-coded - n/a	Standard	0.2	No
WI1010-M08M4TM4T10P	PDO Connector type	M8 4-pin male A-coded - 180° Straight	STO	4	10
M8 STO 4P Male 0°/4P Male 0° shl. Yel10m 2xCon		M08 4-pin male A-coded - n/a	Standard	0.2	No
WI1010-M08M4TM4T20P	PDO Connector type	M8 4-pin male A-coded - 180° Straight	STO	4	20
M8 STO 4P Male 0°/4P Male 0° shl. Yel20m 2xCon		M08 4-pin male A-coded - n/a	Standard	0.2	No
WI1010-M08M4V05P	PDO Connector type	M8 4-pin male A-coded - 90° Angled	STO	4	5
M8 STO 4Pin Male 90° Con. shl. Yel 5m 1xCon		Open Ended - n/a	Standard	0.2	No
WI1010-M08M4V10P	PDO Connector type	M8 4-pin male A-coded - 90° Angled	STO	4	10
M8 STO 4Pin Male 90° Con. shl. Yel 10m 1xCon		Open Ended - n/a	Standard	0.2	No
WI1010-M08M4VF4T01P	PDO Connector type	M8 4-pin male A-coded - 90° Angled	STO	4	1
M8 STO 4P Male 90°/4P Fem 0° shl. yel 1m 2xCon		M08 4-pin female A-coded - n/a	Standard	0.2	No
WI1010-M08M4VF4T02P	PDO Connector type	M8 4-pin male A-coded - 90° Angled	STO	4	2
M8 STO 4P Male 90°/4P Fem 0° shl. yel 2m 2xCon		M08 4-pin female A-coded - n/a	Standard	0.2	No
WI1010-M08M4VF4T03P	PDO Connector type	M8 4-pin male A-coded - 90° Angled	STO	4	3
M8 STO 4P Male 90°/4P Fem 0° shl. yel 3m 2xCon		M08 4-pin female A-coded - n/a	Standard	0.2	No
WI1010-M08M4VM4V10P	PDO Connector type	M8 4-pin male A-coded - 90° Angled	STO	4	10
M8 STO 4P Male 90°/4P Male 90° shl. Yel 10m 2xCon		M08 4-pin male A-coded - n/a	Standard	0.2	No
WI1010-M08M4VM4V20P	PDO Connector type	M8 4-pin male A-coded - 90° Angled	STO	4	20
M8 STO 4P Male 90°/4P Male 90° shl. Yel 20m 2xCon		M08 4-pin male A-coded - n/a	Standard	0.2	No
WI1011-M12F8V10T	PDO Connector type	M12 8-pin female - 90° Angled	STO	8	10
M12 Shl Cable 10m 8 p Female 90° 4P twisted		Open Ended - n/a	Standard	0.32	No
WI1011-M12M8V1.2T	PDO Connector type	M12 8-pin male - 90° Angled	STO	8	1.2
M12 Shl Cable 1.2m 8 p Male 90° 4P twisted		Open Ended - n/a	Standard	0.32	No
WI1011-M12M8V10T	PDO Connector type	M12 8-pin male - 90° Angled	STO	8	10



MAC402-D6-FRGM-A011

Int.Servo.AC 400WS1 1.28Nm IP66 Abs STO Coating

Cable information

Item number	Mount on	Cable con 1 +Con 1 angle	Cable application	Wires no totally	Cable length [m]
Item description		Cable con 2 +Con 2 angle	Cable flexibility	Wire [mm2]	Connector 1 LED
M12 Shl Cable 10m 8 p Male 90° 4P twisted		Open Ended - n/a	Standard	0.32	No
WI1011-M12M8V15T	PDO Connector type	M12 8-pin male - 90° Angled		8	15
M12 Shl Cable 15m 8 p Male 90° 4P twisted		Open Ended - n/a	Standard	0.32	No
WI1012-M12F8TF8T01T	PDO Connector type	M12 8-pin female A-coded - 180° Straight		8	1
M12 Shl Cable 1m 8pF0°-8pF0° SMC-Enc twisted/shie		M12 8-pin female A-coded - n/a		0.32	No
WI1012-M12F8TF8T02T	PDO Connector type	M12 8-pin female A-coded - 180° Straight		8	2
M12 Shl Cable 2m 8pF0°-8pF0° SMC-Enc twisted/shie		M12 8-pin female A-coded - n/a		0.32	No
WI1012-M12F8TF8T05T	PDO Connector type	M12 8-pin female A-coded - 180° Straight		8	5
M12 Shl Cable 5m 8pF0°-8pF0° SMC-Enc twisted/shie		M12 8-pin female A-coded - n/a		0.32	No
WI1012-M12F8TF8T20T	PDO Connector type	M12 8-pin female A-coded - 180° Straight		8	20
M12 Shl Cable 20m 8pF0°-8pF0° SMC-Enc twisted/shie		M12 8-pin female A-coded - n/a		0.32	No
WI1012-M12F8TM17T01T	PDO Connector type	M12 8-pin female A-coded - 180° Straight		8	1
M12 Shl Cable 1m 8pF 0° to 17pM 0° SMCxx twisted/s		M12 17-pin male A-coded - n/a		0.32	No
WI1012-M12F8TM17T05T	PDO Connector type	M12 8-pin female A-coded - 180° Straight		8	5
M12 Shl Cable 5m 8pF 0° to 17pM 0° SMCxx twisted/s		M12 17-pin male A-coded - n/a		0.32	No
WI1012-M12F8TM17T20T	PDO Connector type	M12 8-pin female A-coded - 180° Straight		8	20
M12 Shl Cable 20m 8pF 0° to 17pM 0° SMCxx twisted/		M12 17-pin male A-coded - n/a		0.32	No
WI1013-M12M17TF4T.4N	PDO Connector type	M12 17-pin male A-coded - 180° Straight		4	0.45
M12 17pM, 0.45m M8-4pF Shl for MAB MIS		M08 4-pin female - n/a	Standard	0.13	No
WI1013-M12M17TF4TXAA	PDO Connector type	- 180° Straight			0.45/2
M12 17pM, 0.45m M8-4pF Shl for MAB + 2m cable MIS		M08 4-pin female - n/a	Standard		No
WI1025-M12F5AF5AM5A	PDO Connector type	M12 5-pin female A-coded - 90° Angled		5	
M12 T-Con 2x Fem 5 p + 1x Male 5 p		M12 5-pin female A-coded - n/a	Standard	0.32	No
WI1025-M12F5AM5A	PDO Connector type	M12 5-pin female A-coded - 90° Angled		5	
M12 Cabinet Feed-through F5p-M5p		M12 5-pin male A-coded - n/a	Standard	0.32	No
WI1025-M12F5AM5AF5A	PDO Connector type	M12 5-pin female A-coded - 90° Angled		5	
M12 T-Con Fem 5p+ Male 5p + Fem 5p NoSh		M12 5-pin male A-coded - n/a	Standard	0.32	No
WI1025-M12F5VM5VF5V	PDO Connector type	M12 5-pin female A-coded - 90° Angled		5	
M12 Shl Y-Con 1xMale 5p + 2x Fem 5p CAN		M12 5-pin male A-coded CAN - n/a	Standard	0.32	No
WI1025-M12F8AM8A	PDO Connector type	M12 8-pin female A-coded - 90° Angled		5	
M12 Cabinet Feed-through F8p-M8p		M12 8-pin male A-coded - n/a	Standard	0.32	No
WI1025-M12M5AF5AF8A	PDO Connector type	M12 5-pin male A-coded - 90° Angled		5	
M12 T-Con Male 5 p + Fem 5 p + 1 Fem 8 p		M12 5-pin male A-coded - n/a	Standard	0.32	No
WI1025-M12M5VM5VF5V	PDO Connector type	M12 5-pin male A-coded - 90° Angled		5	
M12 Shl Y-Con 2xMale 5p + 1xFem 5p RS485		M12 5-pin male A-coded - n/a	Standard	0.32	No
WI1026-M12F5S02R	PDO Connector type	M12 5-pin female B-coded Profibus - 180° Straight	Profibus	2	2
M12 Shl Cab 2m 5p Fem 0° B-cod Profibus		Open Ended - n/a	Robotic - 3D	0.2	No
WI1026-M12F5S05R	PDO Connector type	M12 5-pin female B-coded Profibus - 180° Straight	Profibus	2	5
M12 Shl Cab 5m 5p Fem 0° B-cod Profibus		Open Ended - n/a	Robotic - 3D	0.2	No
WI1026-M12F5S10R	PDO Connector type	M12 5-pin female B-coded Profibus - 180° Straight	Profibus	2	10
M12 Shl Cab 10m 5p Fem 0° B-cod Profibus		Open Ended - n/a	Robotic - 3D	0.2	No
WI1026-M12F5S15R	PDO Connector type	M12 5-pin female B-coded Profibus - 180° Straight	Profibus	2	15
M12 Shl Cab 15m 5p Fem 0° B-cod Profibus		Open Ended - n/a	Robotic - 3D	0.2	No
WI1026-M12M5S02R	PDO Connector type	M12 5-pin male B-coded Profibus - 180° Straight	Profibus	2	2
M12 Shl Cab 2m 5p Mal 0° B-cod Profibus		Open Ended - n/a	Robotic - 3D	0.2	No
WI1026-M12M5S05R	PDO Connector type	M12 5-pin male B-coded Profibus - 180° Straight	Profibus	2	5
M12 Shl Cab 5m 5p Mal 0° B-cod Profibus		Open Ended - n/a	Robotic - 3D	0.2	No
WI1026-M12M5S10R	PDO Connector type	M12 5-pin male B-coded Profibus - 180° Straight	Profibus	2	10
M12 Shl Cab 10m 5p Mal 0° B-cod Profibus		Open Ended - n/a	Robotic - 3D	0.2	No
WI1026-M12M5S15R	PDO Connector type	M12 5-pin male B-coded Profibus - 180° Straight	Profibus	2	15
M12 Shl Cab 15m 5p Mal 0° B-cod Profibus		Open Ended - n/a	Robotic - 3D	0.2	No
WI1028-M12F5SS1	PDO Connector type	M12 5-pin female B-coded profibus - 180° Straight	Profibus	n/a	Connector
M12 Con 5p Fem 0° B-cod Profibus Solder assembly		- n/a	n/a	n/a	No



MAC402-D6-FRGM-A011

Int.Servo.AC 400WS1 1.28Nm IP66 Abs STO Coating

Cable information

Item number	Mount on	Cable con 1 +Con 1 angle	Cable application	Wires no totally	Cable length [m]
Item description		Cable con 2 +Con 2 angle	Cable flexibility	Wire [mm2]	Connector 1 LED
W11028-M12F5TG1	PDO Connector type	M12 5-pin female B-coded profibus - 180° Straight	Profibus	n/a	Connector
M12 Con 5p Fem 0° B-cod Profibus Spring		- n/a	n/a	n/a	No
W11028-M12F5VG1	PDO Connector type	M12 5-pin female B-coded profibus - 90° Angled	Profibus	n/a	Connector
M12 Con 5p Fem 90° B-cod Profibus Spring		- n/a	n/a	n/a	No
W11028-M12M4STR3	PDO Connector type	M12 4-pin male B-coded profibus - 180° Straight	Profibus	n/a	Connector
M12 Term. Resistor 4p Mal B-cod Profibus		- n/a	n/a	n/a	No
W11028-M12M5TC1	PDO Connector type	M12 5-pin male B-coded profibus - 180° Straight	Profibus	n/a	Connector
M12 Con 5p Mal 0° B Profibus Screw Shl		- n/a	n/a	n/a	No
W11028-M12M5TG1	PDO Connector type	M12 5-pin male B-coded profibus - 180° Straight	Profibus	n/a	Connector
M12 Con 5p Mal 0° B Profibus Spring Shl		- n/a	n/a	n/a	No
W11028-M12M5VG1	PDO Connector type	M12 5-pin male B-coded profibus - 90° Angled	Profibus	n/a	Connector
M12 Con 5p Mal 90° B Profibus SpringShl		- n/a	n/a	n/a	No
W11046-M12M4S.3NRJ45	PDO Connector type	M12 4-pin male D-coded Ethernet - 180° Straight	Ethernet	4	0.3
M12 Cab D-code Ethernet M0°-RJ45, 0,3m, Ø5		RJ45 male - n/a	Standard	0.13	No
W11046-M12M4S01NRJ45	PDO Connector type	M12 4-pin male D-coded Ethernet - 180° Straight	Ethernet	4	1
M12 Cab D-code Ethernet M0°-RJ45, 1,0m, Ø5		RJ45 male - n/a	Standard	0.13	No
W11046-M12M4S05NRJ45	PDO Connector type	M12 4-pin male D-coded Ethernet - 180° Straight	Ethernet	4	5
M12 Cab D-code Ethernet M0°-RJ45, SFTP, 5m, Ø5		RJ45 male - n/a	Standard	0.13	No
W11046-M12M4S05R	PDO Connector type	M12 4-pin male D-coded Ethernet - 180° Straight	Ethernet	4	5
M12 Cab D-code Ethernet M0°, SFTP, 5m Ø7		Open Ended - n/a	Cable chains - 2D	0.13	No
W11046-M12M4S10NRJ45	PDO Connector type	M12 4-pin male D-coded Ethernet - 180° Straight	Ethernet	4	10
M12 Cab D-code Ethernet M0°-RJ45, 10m, Ø5		RJ45 male - n/a	Standard	0.13	No
W11046-M12M4S15NRJ45	PDO Connector type	M12 4-pin male D-coded Ethernet - 180° Straight	Ethernet	4	15
M12 Cab D-code Ethernet M0°-RJ45, 15m, RJ45 Ø5		RJ45 male - n/a	Standard	0.13	No
W11046-M12M4S15R	PDO Connector type	M12 4-pin male D-coded Ethernet - 180° Straight	Ethernet	4	15
M12 Cab D-code Ethernet M0°, 15m Ø7		Open Ended - n/a	Cable chains - 2D	0.13	No
W11046-M12M4T.3TRJ45	PDO Connector type	M12 4-pin male D-coded Ethernet - 180° Straight	Ethernet	4	0.3
M12 Cab D-code Ethernet M0°-RJ45, 0,3m, RJ45 Ø5		RJ45 male - n/a	Standard	0.13	No
W11046-M12M4T01TRJ45	PDO Connector type	M12 4-pin male D-coded Ethernet - 180° Straight	Ethernet	4	1
M12 Cab D-code Ethernet M0°-RJ45, 1m, RJ45 Ø5		RJ45 male - n/a	Standard	0.13	No
W11046-M12M4T02NRJ45	PDO Connector type	M12 4-pin male D-coded Ethernet - 180° Straight	Ethernet	4	2
M12 Cab D-code Ethernet M0°-RJ45, 2m, Ø5		RJ45 male - n/a	Standard	0.13	No
W11046-M12M4T05TRJ45	PDO Connector type	M12 4-pin male D-coded Ethernet - 180° Straight	Ethernet	4	5
M12 Cab D-code Ethernet M0°-RJ45, 5m, Ø5		RJ45 male - n/a	Standard	0.13	No
W11046-M12M4T10TRJ45	PDO Connector type	M12 4-pin male D-coded Ethernet - 180° Straight	Ethernet	4	10
M12 Cab D-code Ethernet M0°-RJ45, 10m, Ø5		RJ45 male - n/a	Standard	0.13	No
W11046-M12M4T15TRJ45	PDO Connector type	M12 4-pin male D-coded Ethernet - 180° Straight	Ethernet	4	15
M12 Cab D-code Ethernet M0°-RJ45, SFTP, 15m, Ø5		RJ45 male - n/a	Standard	0.13	No
W11046-M12M4T20TRJ45	PDO Connector type	M12 4-pin male D-coded Ethernet - 180° Straight	Ethernet	4	20
M12 Cab D-code Ethernet M0°-RJ45, 20m, Ø5		RJ45 male - n/a	Standard	0.13	No
W11046-M12M4TM4T.3R	PDO Connector type	M12 4-pin male D-coded Ethernet - 180° Straight	Ethernet	4	0.3
M12 Cab D-code Ethernet M0°-M0°, 0,3m, Ø6		M12 4-pin male D-coded Ethernet - n/a	Robotic - 3D	0.14	No
W11046-M12M4TM4T.3T	PDO Connector type	M12 4-pin male D-coded Ethernet - 180° Straight	Ethernet	4	0.3
M12 Cab D-code Ethernet M0°-M0°, 0,3m, Ø6		M12 4-pin male D-coded Ethernet - n/a	Standard	0.13	No
W11046-M12M4TM4T01R	PDO Connector type	M12 4-pin male D-coded Ethernet - 180° Straight	Ethernet	4	1
M12 Cab D-code Ethernet M0°-M0°, 1m, Ø7		M12 4-pin male D-coded Ethernet - n/a	Robotic - 3D	0.14	No
W11046-M12M4TM4T01T	PDO Connector type	M12 4-pin male D-coded Ethernet - 180° Straight	Ethernet	4	1
M12 Cab D-code Ethernet M0°-M0°, 1m, Ø6		M12 4-pin male D-coded Ethernet - n/a	Standard	0.13	No
W11046-M12M4TM4T02R	PDO Connector type	M12 4-pin male D-coded Ethernet - 180° Straight	Ethernet	4	2

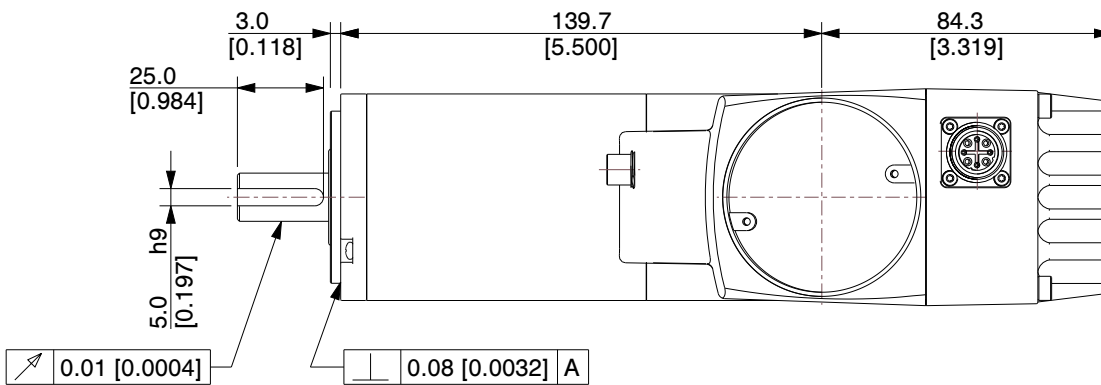
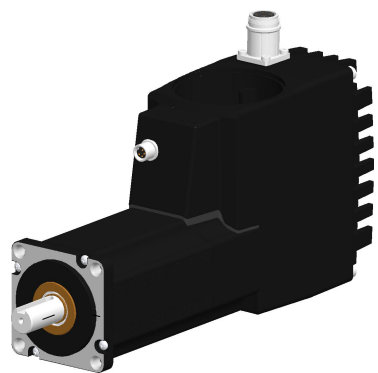
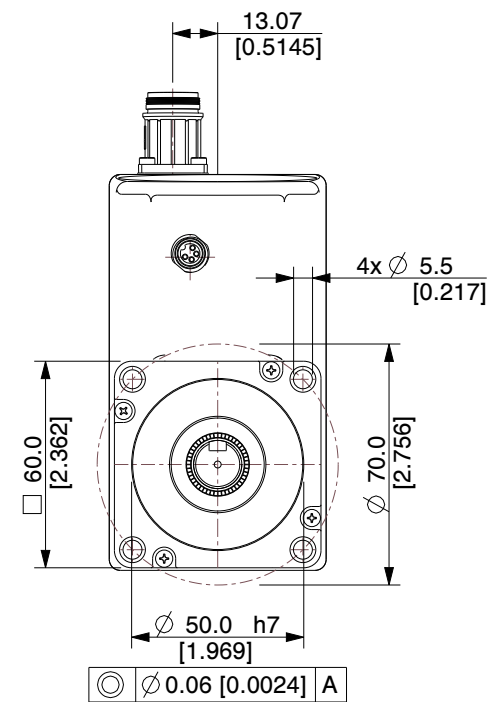
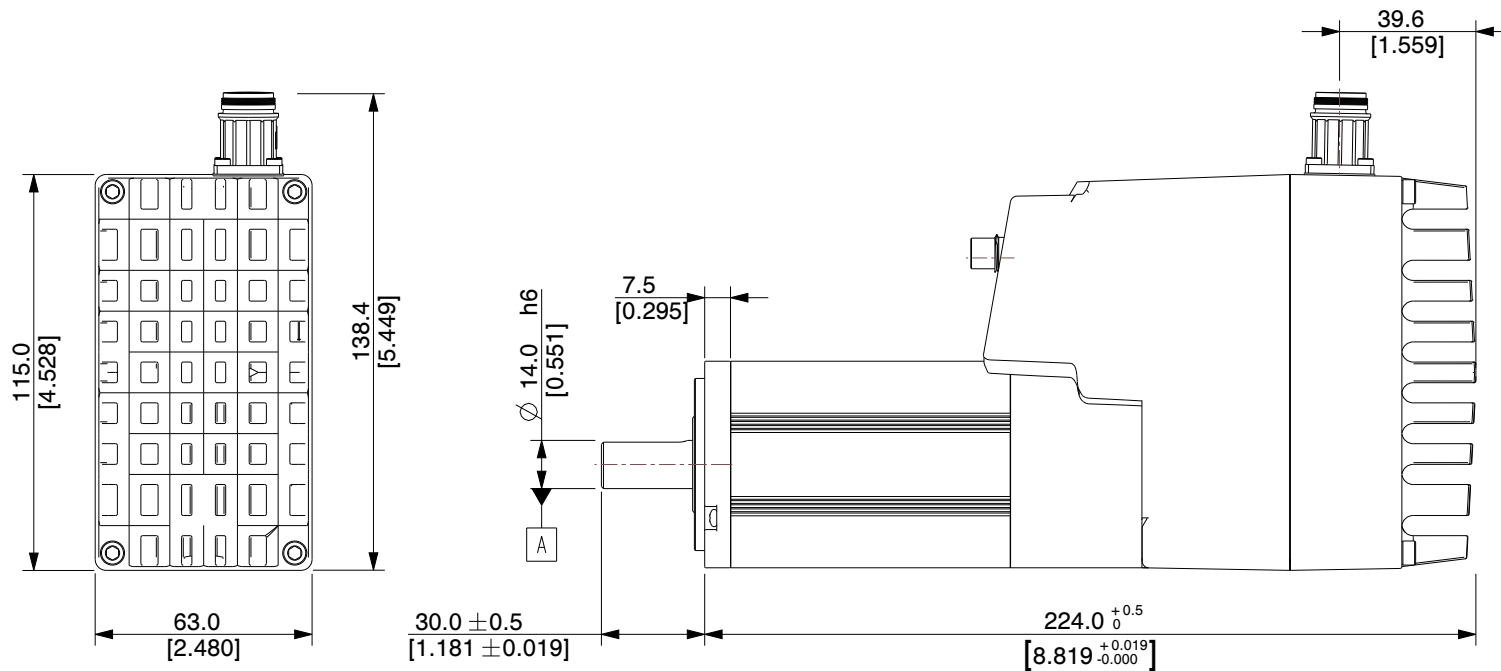


MAC402-D6-FRGM-A011





Int.Servo.AC 400WS1 1.28Nm IP66 Abs STO Coating

Cable information

Item number	Mount on	Cable con 1 +Con 1 angle	Cable application	Wires no totally	Cable length [m]
Item description		Cable con 2 +Con 2 angle	Cable flexibility	Wire [mm2]	Connector 1 LED
M12 Cab D-code Ethernet M0°-M0°, 2,0m, Ø7		M12 4-pin male D-coded Ethernet - n/a	Robotic - 3D	0.14	No
WI1046-M12M4TM4T02T	PDO Connector type	M12 4-pin male D-coded Ethernet - 180° Straight	Ethernet	4	2
M12 Cab D-code Ethernet M0°-M0°, 2,0m, Ø6		M12 4-pin male D-coded Ethernet - n/a	Standard	0.13	No
WI1046-M12M4TM4T05R	PDO Connector type	M12 4-pin male D-coded Ethernet - 180° Straight	Ethernet	4	5
M12 Cab D-code Ethernet M0°-M0°, 5m, Ø7		M12 4-pin male D-coded Ethernet - n/a	Robotic - 3D	0.14	No
WI1046-M12M4TM4T05T	PDO Connector type	M12 4-pin male D-coded Ethernet - 180° Straight	Ethernet	4	5
M12 Cab D-code Ethernet M0°-M0°, 5m, Ø6		M12 4-pin male D-coded Ethernet - n/a	Standard	0.13	No
WI1046-M12M4TM4T10R	PDO Connector type	M12 4-pin male D-coded Ethernet - 180° Straight	Ethernet	4	10
M12 Cab D-code Ethernet M0°-M0°, 10m, Ø7		M12 4-pin male D-coded Ethernet - n/a	Robotic - 3D	0.14	No
WI1046-M12M4TM4T10T	PDO Connector type	M12 4-pin male D-coded Ethernet - 180° Straight	Ethernet	4	10
M12 Cab D-code Ethernet M0°-M0°, 10m, Ø6		M12 4-pin male D-coded Ethernet - n/a	Standard	0.13	No
WI1046-M12M4TM4T15R	PDO Connector type	M12 4-pin male D-coded Ethernet - 180° Straight	Ethernet	4	15
M12 Cab D-code Ethernet M0°-M0°, 15m, Ø7		M12 4-pin male D-coded Ethernet - n/a	Robotic - 3D	0.14	No
WI1046-M12M4TM4T20R	PDO Connector type	M12 4-pin male D-coded Ethernet - 180° Straight	Ethernet	4	20
M12 Cab D-code Ethernet M0°-M0°, 20m, Ø7		M12 4-pin male D-coded Ethernet - n/a	Robotic - 3D	0.14	No
WI1046-M12M4TM4T20T	PDO Connector type	M12 4-pin male D-coded Ethernet - 180° Straight	Ethernet	4	20
M12 Cab D-code Ethernet M0°-M0°, 20m, Ø6		M12 4-pin male D-coded Ethernet - n/a	Standard	0.13	No
WI1046-M12M4V02TRJ45	PDO Connector type	M12 4-pin male D-coded Ethernet - 90° Angled	Ethernet	4	2
M12 Cab D-code Ethernet M90°-RJ45, 2m, Ø5		RJ45 male - n/a	Standard	0.13	No
WI1046-M12M4V05TRJ45	PDO Connector type	M12 4-pin male D-coded Ethernet - 90° Angled	Ethernet	4	5
M12 Cab D-code Ethernet M90°-RJ45, 5m, Ø6		RJ45 male - n/a	Standard	0.13	No
WI1046-M12M4VM4T.6N	PDO Connector type	M12 4-pin male D-coded Ethernet - 90° Angled	Ethernet	4	0.6
M12 Cab D-code Ethernet M90°-M0°, 0,6m, Ø6		M12 4-pin male D-coded Ethernet - n/a	Standard	0.13	No
WI1046-M12M4VM4V.6N	PDO Connector type	M12 4-pin male D-coded Ethernet - 90° Angled	Ethernet	4	0.6
M12 Cab D-code Ethernet M90°-M90°, 0,6m, Ø6		M12 4-pin male D-coded Ethernet - n/a	Standard	0.13	No
WI1048-M12F4TTR1	PDO Connector type	M12 4-pin female D-coded Ethernet - 180° Straight	Ethernet		Connector
M12 Con 4 p female D Code Ethernet PressLock		- n/a	n/a		No
WI1048-M12M4TTR1	PDO Connector type	M12 4-pin male D-coded Ethernet - 180° Straight	Ethernet		Connector
M12 Con 4 p Male D Code Ethernet PressLock		- n/a	n/a		No
WI1050-M23M13T05Q	PDO Connector type	M23 13-pin male - 180° Straight		13	5
M23 Hybrid Phoenix SpeedCon: male 13 pin 5m		Open Ended - n/a			No
WI1060-M12M5T05N	PDO Connector type	M12 5-pin male - 180° Straight		5	5
M12 K Code 5pin 4+1 EA female shielded, IP67 5m		Open Ended - n/a			No
WI1061-M12F5T10N	PDO Connector type	M12 5-pin female - 180° Straight		5	10
M12 L Code 5pin female 10m		Open Ended - n/a			No
WI1061-M12F5T20N	PDO Connector type	M12 5-pin female - 180° Straight		5	20
M12 L Code 5pin female 20m free end IP67		Open Ended - n/a			No
WI1061-M12F5TM16T01S	PDO Connector type	M12 5-pin female - 180° Straight		5	1
M12 L Code 5pin female to M16 7pin male, 1m 2D		M16 7pin male - n/a			No
WI1061-M12F5TM16T05N	PDO Connector type	M12 5-pin female - 180° Straight		5	5
M12 L Code 5pin female to M16 7pin male, 5m		M16 7pin male - n/a			No
WI1061-M12F5TM16T05S	PDO Connector type	M12 5-pin female - 180° Straight		5	5
M12 L Code 5pin female to M16 7pin male, 5m 2D		M16 7pin male - n/a			No
WI1061-M12F5TM16T20S	PDO Connector type	M12 5-pin female - 180° Straight		5	20
M12 L Code 5pin female to M16 7pin male, 20m 2D		M16 7pin male - n/a			No
WI1061-M12M5TF5T01N	PDO Connector type	M12 5-pin male - 180° Straight		5	1
M12 L Code 5pin male to female shielded, IP67		M12 5-pin female A-coded - n/a			No
WI1061-M12M5TF5T01S	PDO Connector type	M12 5-pin male - 180° Straight		5	1
M12 L Code 5pin male to female shielded, IP67 2D		M12 5-pin female A-coded - n/a			No
WI1061-M12M5TF5T05N	PDO Connector type	M12 5-pin male - 180° Straight		5	5
M12 L Code 5pin male to female shielded, IP67		M12 5-pin female A-coded - n/a			No
WI1061-M12M5TF5T15N	PDO Connector type	M12 5-pin male - 180° Straight		5	5
M12 L Code 5pin male to female 15m shielded, IP67		M12 5-pin female A-coded - n/a			No



NOTES:
1. Encoder Type: Absolute multiturn 4096 Rev. Single 8192 CPR

JVL A/S Bregnerødvej 127 DK-3460 Birkerød Denmark		 	
PART NUMBER: <p style="text-align: center;">MAC402-D6-FRGM-A011ES8</p>			
PART DESCRIPTION: <p style="text-align: center;">Integrated Stepper Motor</p>			
  A4	SCALE	NTS	
	UNIT	MM [Inch]	
<small>Unless specifically stated otherwise, this drawing is the property of JVL A/S and no feature embodied herein may be disclosed except as previously authorized</small>			