


MN30BRIN060MAICN-PB3ST

Configuration

Type:	M
Size:	N30
Input:	 63 B14 ø90
Output shaft/bore:	Hollow output shaft
Mounting:	BRI (Reaction arm)
Mounting position:	B3
Input bore:	Standard
Coupling:	-
Terminal box position:	A

Distributor data

Customer:

Lead time:

Technical data

Input rpm (n_1):	1400 min⁻¹
Output rpm (n_2):	35.00 min⁻¹
Ratio (i):	40
Nominal power (P_{1R}):	0.13 kW
Nominal torque (M_{2R}):	20 Nm
Dynamic efficiency (RD):	57%

Selection

Motor power (P_{1M}):	0.12 kW
Output torque (M_{2M}):	19 Nm
Service factor (f.s.):	1.1

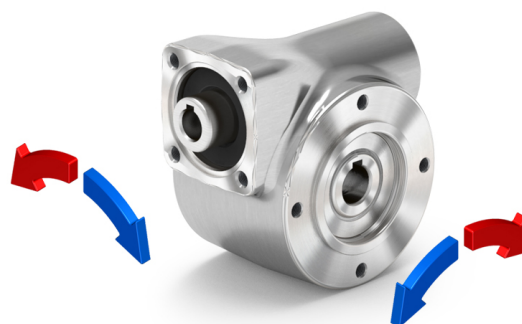
Lubrication

Oil quantity:	0.04l
ENI:	Telium VSF 320
SHELL:	Omala S4 WE 320

On our website

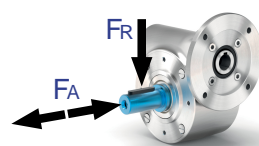
Features	Thermal limit
How to order	Installation check list
Datasheet	Spare parts list
Accessories/options	Complete catalogue
Selection guide - fs	Selection by power (xls)
Mounting pos. - lubricant	Atex certification
Calc. the overhung load	
Irreversibility	

Direction of rotation



Axial and radial loads

Output shaft

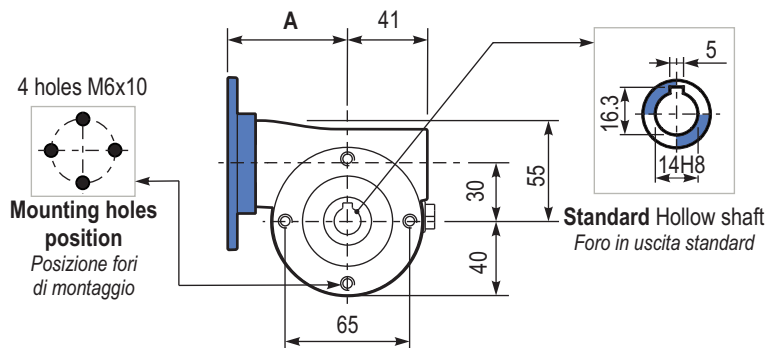
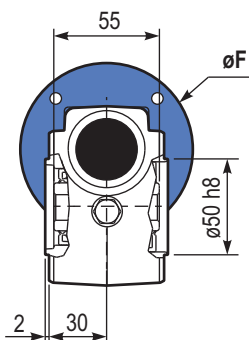


n_2 (min ⁻¹)	FA (N)	FR (N)
200	120	600
150	140	700
100	160	800
75	180	900
50	200	1000
25	250	1250
15	280	1400

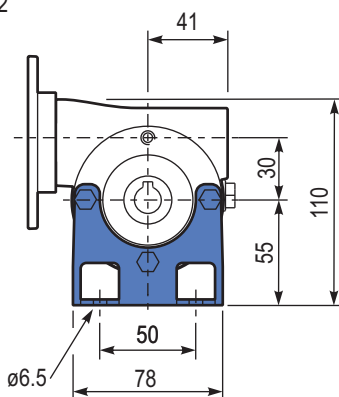
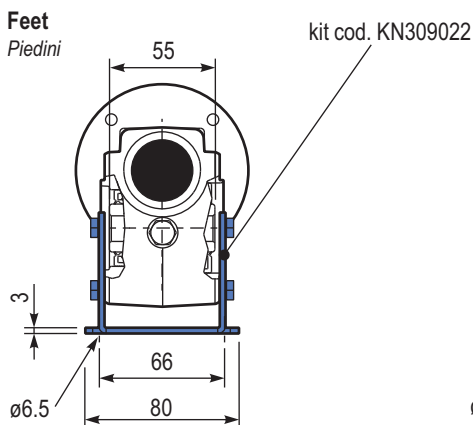
PN30UNI.. Basic gearbox
Riduttore base

Gearbox weight
Peso riduttore **2.2 kg**

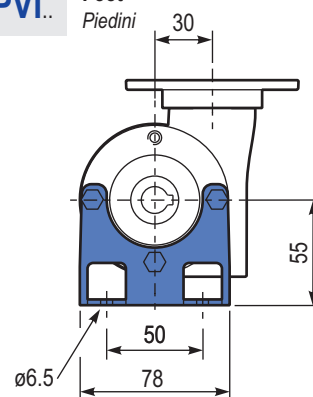
M. flanges	Kit code	øF	A
56B14	KI304046	80	61.5
63B14	KI304045	90	62.5



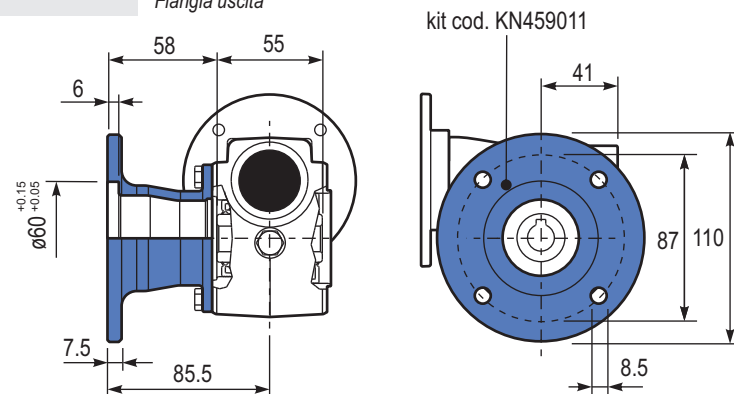
PN30PAI.. Feet
Piedini



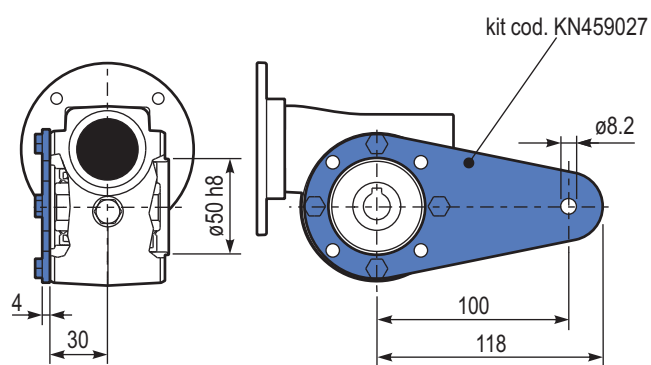
PN30PVI.. Feet
Piedini



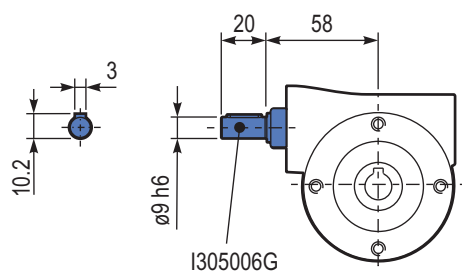
PN30FLL.. Output flange
Flangia uscita



PN30BRI.. Reaction arm
Braccio di reazione



RN30UNI.. Input shaft
Albero in entrata



PN30..SMA Single output shaft
Albero semplice in uscita

