



MIS232T3EIH2S6

Int.StepH 12-72VDC, EtherNet/IP, EncC-L, STO

ServoStep MIS is a series of integrated stepper motors with servo control (closed-loop) and up to 3000 RPM.

It consists of NEMA 17..23..34..43 size motors with holding torques from 0.18 Nm up to 25 Nm. All motors are programmable and have 8 I/O points (each can be DI or DO or AI).

Options include:

- incremental (semi-absolute) encoder*). absolute multiturn encoder
- brake module*)
- radial or axial*) connectors
- CANopen
- Ethernet interface w/built-in switch for easy daisy-chaining and all protocols (Profinet. EtherNet/IP. EtherCAT. Sercos. ModbusTCP/UDP. Powerlink).
- Wireless versions are also possible: WLAN or BlueTooth.
- Special shaft versions include double shaft and hollow shaft. contact JVL to learn which combinations are possible.
- Higher IP versions are also available. *) Depending of other options



General information

Description	Int.StepH 12-72VDC, EtherNet/IP, EncC-L, STO, 4xM12. 2x4pF:EtherNetIP 17pF:8xDIO/AI+RS422+RS485, High Resolution: 409.600 step/rev. ±0.01 RPM, Programmable (incl. current, position & velocity), with STO, Closed-Loop Semi-Abs. Encoder 4096 CPR, Ø10x20 mm Round Shaft: IP42Motor: IP42, 56.4x124 mm Holding Torque: 2.53 NmMax. 316.00 WRadial Connector12-72 VDC		
Manufacture	JVL	Motor type	Integrated Stepper - Rotating
Motor resolution	409600	Encoder type	H2 Incremental/abs_singleturn
Speed [Rpm]	3000.00	Power Peak [W]	316.00
Flange size	NEMA 23 - 57x57mm	Shaft size - Front [mm]	10.00 mm
Running torque [Nm]	2.53	Rated Winding current [A]	6.0
Holding torque [Nm]	2.53	Connectivity: Without module	Ethernet IP
Integrated PLC	Yes	PLC no. of DI/DO/AI	8
Closed loop	Yes	STO connector	Yes
Integrated gear	No	Gear ratio	
Brake	External brake option	Protection House/Shaft	
Shaft Double	No	Main supply [V]	12-72



MIS232T3EIH2S6

Int.StepH 12-72VDC, EtherNet/IP, EncC-L, STO

General information

Main supply UL [V]	12-60	Voltage type - Main	DC
Control voltage (CVI/O+) [VDC]	7-28	Control Voltage for UL recognized	7-30 VDC 150 mA + max 500 mA for user outputs
Weight net [kg]	1.39	MTBF 100% [Year]	13
Weight gross [kg]	1.51	MTBF 30% [Year]	15
Software	MacTalk		
CE Marked	Yes		



Approval - ROHS-3	Yes		
--------------------------	-----	--	--



Approval UL	Yes. Recognized	UL Installation	Read more in usermanual about UL precautions
--------------------	-----------------	------------------------	--



Ambient Temperature range [°C]:		Max. Amb. Temperature range - Torque derating:	
Maximum Installation Altitude [m]:		- Power Derating every 1000m over 1000m [%]:	

Motion Information:

Velocity Precision [+/-ppm]		Velocity Resolution [Rpm]	
Acceleration / Deceleration Range [Rpm/s]		Acceleration / Deceleration Range [Rpm/s]	
Electronic Gearing Ratio [Range / Resolution]		Country Of Origin	DK
Tariff no	85015100	Tariff no US	

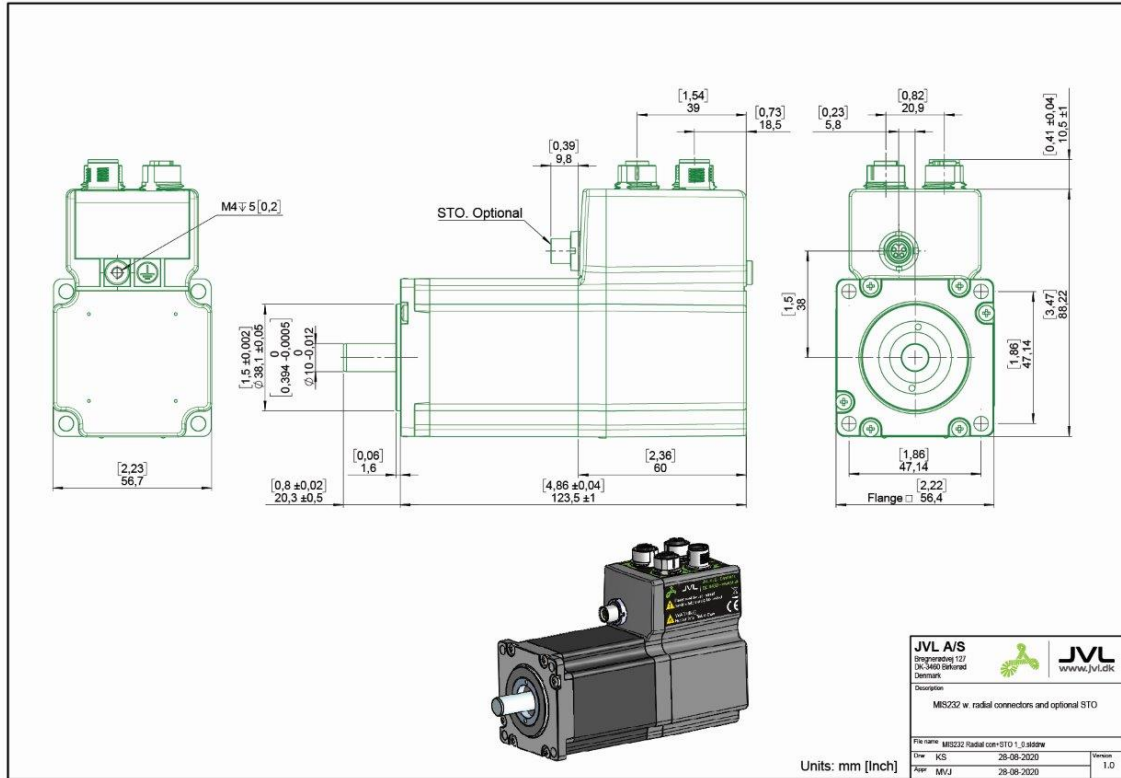


MIS232T3EIHS6

Int.StepH 12-72VDC, EtherNet/IP, EncC-L, STO

Mechanical information

Paint type



JVL A/S Bregnerødvej 127 DK-3460 Birkerød Denmark www.jvl.dk	
Description	
MIS232 w. radial connectors and optional STO	
File name: MIS232 Radial con+STO 1_3.dwg	
Drawn	KCS 28-08-2020
Appr	MVJ 28-08-2020
Version	1.0

Motor length [mm]	124.0	Motor width [mm]	56.4
Motor height [mm]	88.1		
Protection house	IP42	Protection shaft	IP42
		Flange Rear	No
Flange Type Front		Flange Type Rear	
Motor diameter center front [mm]	38.1	Motor diameter center rear [mm]	
Bolt circle diameter front [mm]	66.6	Bolt circle diameter front [mm]	
Mounting holes front [mm]	5 mm	Mounting holes rear [mm]	
Flange Thickness [mm]		Flange material	Aluminium
		Shaft Double	No
Shaft Type Output	Round	Shaft Type Rear	
Shaft size - Front [mm]	10.00 mm	Shaft size - Rear	-
Shaft length Front [mm]	20.0	Shaft length Rear [mm]	
Shaft material	Stainless steel AISI303	Shaft Key included	Key NOT included
Shaft Key Dimension	-		
Integrated gear	No	Gear ratio	



MIS232T3EIH2S6

Int.StepH 12-72VDC, EtherNet/IP, EncC-L, STO

Mechanical information

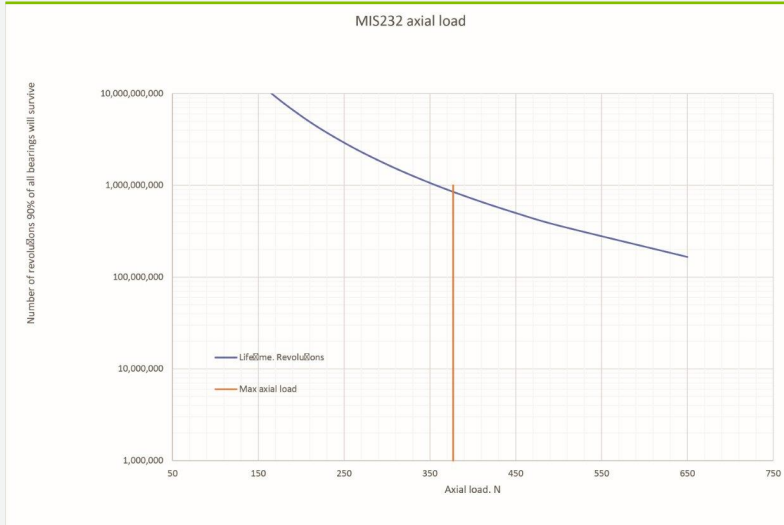
Gear efficiency [%]	< -	Gear backlash [ArcMin]	-
Brake	External brake option	Brake - Go ON time [ms]	-
Brake Holding torque [Nm]	-	Brake - Go OFF time [ms]	-
Rotor inertia [kgcm²]	0.48	Max inertia factor	40
Precision Motor - Absolute [Deg -/+]	0.35	Precision Motor - Max Load [Deg -/+]	
Precision Motor - Repeatability [Deg -/+]	0.15	Step angle [°/full step]	1.8°
CAD 2D [PDF]	Download	CAD 3D [STEP]	Download
CAD 2D [DWG]	No	CAD 3D [DWG]	No
CAD 3D [EASM]	Download	CAD 3D [IGES]	No
Datasheet - pdf		CAD file page	Link
User Manual	Download	WEB page	Link
Approval UL	Yes. Recognized	UL Installation	Read more in usermanual about UL precautions
STO connector	Yes	Approval - ATEX	No
Approval TÜV - STO	Yes	Oil resistant	
Temperature ambient [°C]	0...40 °C and 0...70 °C with derating of performance	Temperature storage	-40...70 °C
Humidity working	5...93% non-condensing	Vibration	5-25 Hz: +/-1.6mm, 25-500Hz: 4G, 1.0 oct./min
Shock	15G, 30ms. 6 x 1000 cycles in +/-X, +/-Y, +/-Z	Withstand Voltage	500 VDC between earth and supply ground
EMC in general	EMC Directive DIR2014/30/EU	EMC Emission	EN61800-3 / EN61000-6-3 / EN61000-6-4 all 2. enviroment
EMC Immunity	En IEC 61800-3 / EN61000-6-1 all 2. enviroment	Safety in general	LVD DIR2014/35/EU / EL61800 - USA and Canada only MIS34x products are pending
Safety wo STO	EN60950-1	Safety w STO	EN60950-1 / EN61508-1/-2 SIL3 / ISO13849-1/-2 / ISO62061 / EN61800-5-1/-2
Inviromental	IEC 60068-2-27, Test Ea. Shock test	Inviromental 2	IEC 60068-2-6, Test Fc. Vibration test
Inviromental 3	IEC 60068-2-2, Test Bd. covers temperaturerise/dry heat	Inviromental 4	IEC 60068-2-78, Perm. moisture/Damp heat, steady state
REACH SVHC document	REACH-SVHC Statement	Low voltage Directive	LVD conformity with EU standard: EN IEC 62368-1:2020/A11:2020
No Dual Use	Read more here		
Duty Cycle		Max Duty Cycle [%]	
Dutycycle UL	Read more in usermanual about UL precautions		
Front bearing type	6000ZZ	Rear bearing type	6000ZZ
Axial Load Max: Typical Term	Axial load Max Typical is a run of 10.800.000 revolutions at indicated load	Axial Load Max: Long Term	Axial load Max Long is a run of 1.440.000.000 revolutions at indicated load
Axial Load Max: Typical [N] (Bearing)	377	Axial Load Max: Long [N] (Bearing)	314



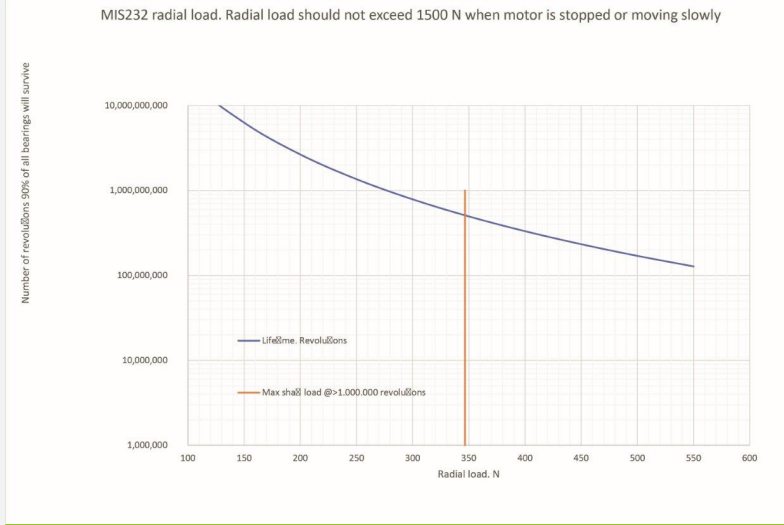
MIS232T3EIH2S6

Int.StepH 12-72VDC, EtherNet/IP, EncC-L, STO

Mechanical information



Radial Load Max Typical Term:	Radial load Max Typical is a run of 10.800.000 revolutions at indicated load	Radial Load Max Long Term:	Radial load Max Long is a run of 1.440.000.000 revolutions at indicated load
Radial Load Max: Typical [N] (Bearing)	346	Radial Load Max: Long [N] (Bearing)	312



Radial load distance [mm]	10	Axial play [mm]	
Axial play force [N]		Shaft Seal	



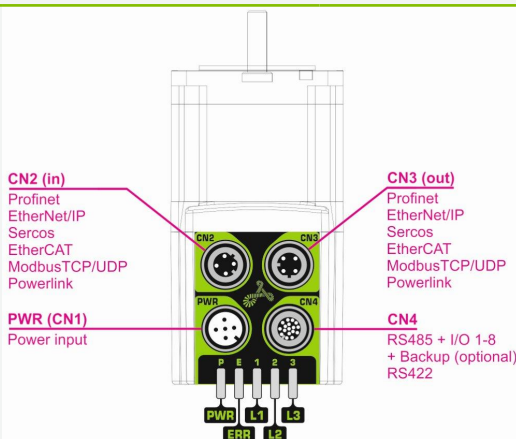
MIS232T3EIH2S6

Int.StepH 12-72VDC, EtherNet/IP, EncC-L, STO

Connector information

Connector 1 label	PWR	Connector 1	M12 5-pin male A-coded
Connector 2 label	CN2	Connector 2	M12 4-pin female D-coded Ethernet
Connector 3 label	CN3	Connector 3	M12 4-pin female D-coded Ethernet
Connector 4 label	CN4	Connector 4	M12 17-pin female A-coded
Connector 1 RS485	No	Connector 2 RS485	No
Connector 3 RS485	No	Connector 4 RS485	Yes

Motor connectors



MIS23xS/T - Ex

RS485 serial communication
in network and Ethernet

Picture CN1

“PWR” (CN1) - Power input. M12 - 5pin male connector

Signal name	Description	Pin no.	JVL Cable W11000- M12F5TxxN	Isolation group
P+	Main supply +7-72VDC. Connect with pin 2 *	1	Brown	1
P+	Main supply +7-72VDC. Connect with pin 1 *	2	White	1
P-	Main supply ground. Connect with pin 5 *	3	Blue	1
CVI	Control and user output supply +7-30VDC. DO NOT connect >30V to this terminal!	4	Black	1
P-	Main supply ground. Connect with pin 3 *	5	Grey	1

* Note: P+ and P- are each available at 2 terminals. Make sure that both terminals are connected in order to split the supply current in 2 terminals and thereby avoid an overload of the connector.

Picture CN2

“CN2” - Ethernet In port connector - M12 - 4pin female connector “D” coded

Signal name	Description	Pin no.	JVL Cable W11046- M12M4S05R	Isolation group (See note)
Tx0_P	Ethernet Transmit channel 0 - positive terminal	1	-	2
Rx0_P	Ethernet Receive channel 0 - positive terminal	2	-	2
Tx0_N	Ethernet Transmit channel 0 - negative terminal	3	-	2
Rx0_N	Ethernet Receive channel 0 - negative terminal	4	-	2



MIS232T3EIH2S6

Int.StepH 12-72VDC, EtherNet/IP, EncC-L, STO

Connector information

Picture CN3

“CN3” - Ethernet Out port connector. M12 - 4 pin female connector “D” coded

Signal name	Description	Pin no.	JVL Cable W11046-M12M4S05R	Isolation group (see note)
Tx1_P	Ethernet Transmit channel 1 - positive terminal	1	-	3
Rx1_P	Ethernet Receive channel 1 - positive terminal	2	-	3
Tx1_N	Ethernet Transmit channel 1 - negative terminal	3	-	3
Rx1_N	Ethernet Receive channel 1 - negative terminal	4	-	3

Picture CN4

“CN4” - RS485 + I/O + Backup (option) connector - M12 - 17pin female connector

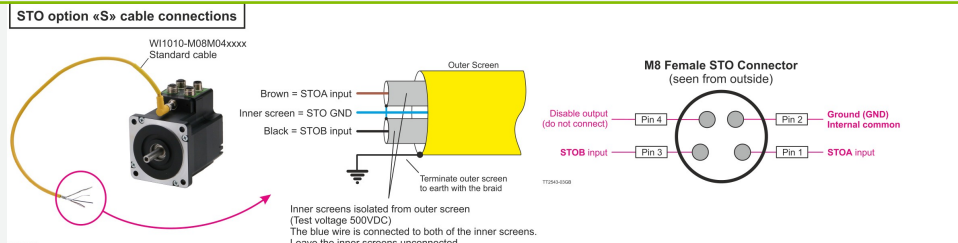
Signal name	Description	Pin no.	JVL Cable W11009M12 M17TxXN	Isolation group (see note)
IO1	I/O channel 1. Can be used as input or output	1	Brown	1
GND	Ground intended to be used together with the other signals in this connector	2	Blue	1
IO2	I/O channel 2. Can be used as input or output	3	White	1
IO3	I/O channel 3. Can be used as input or output	4	Green	1
RS422: B1-	RS422 I/O terminal B-	5	Pink	1
IO4	I/O channel 4. Can be used as input or output	6	Yellow	1
RS422: A1-	RS422 I/O terminal A-	7	Black	1
RS422: B1+	RS422 I/O terminal B+	8	Grey	1
CVO	Supply output. Connected internally to the CVI terminal in the PWR connector. DO NOT connect >30V to this terminal!	9	Red	1
RS422: A1+	RS422 I/O terminal A+	10	Violet	1
IO5	I/O channel 5. Can be used as input or output	11	Grey/pink	1
IO6	I/O channel 6. Can be used as input or output	12	Red/blue	1
IO7	I/O channel 7. Can be used as input or output	13	White/Green	1
IO8	I/O channel 8. Can be used as input or output	14	Brown/Green	1
RS485: B0-	RS485 interface. Leave open if unused	15	White/Yellow	1
EXTBACKUP	Only for motors with the -H3 or -H4 option (abs. multiturn encoder). This terminal can be connected to an external supply. Connect to ground (GND) if not used.	16	Yellow/brown	1
RS485: A0+	RS485 interface. Leave open if unused	17	White/grey	1

* Note: Isolation group indicate which terminals/circuits that a galvanic connected to each other. In other words group 1, 2, 3 and 4 are all fully independently isolated from each other. Group 1 correspond to the housing of the motor which may also be connected to earth via the DC or AC input supply.

Connector STO

M8 4-pin female A-coded

Picture STO Con





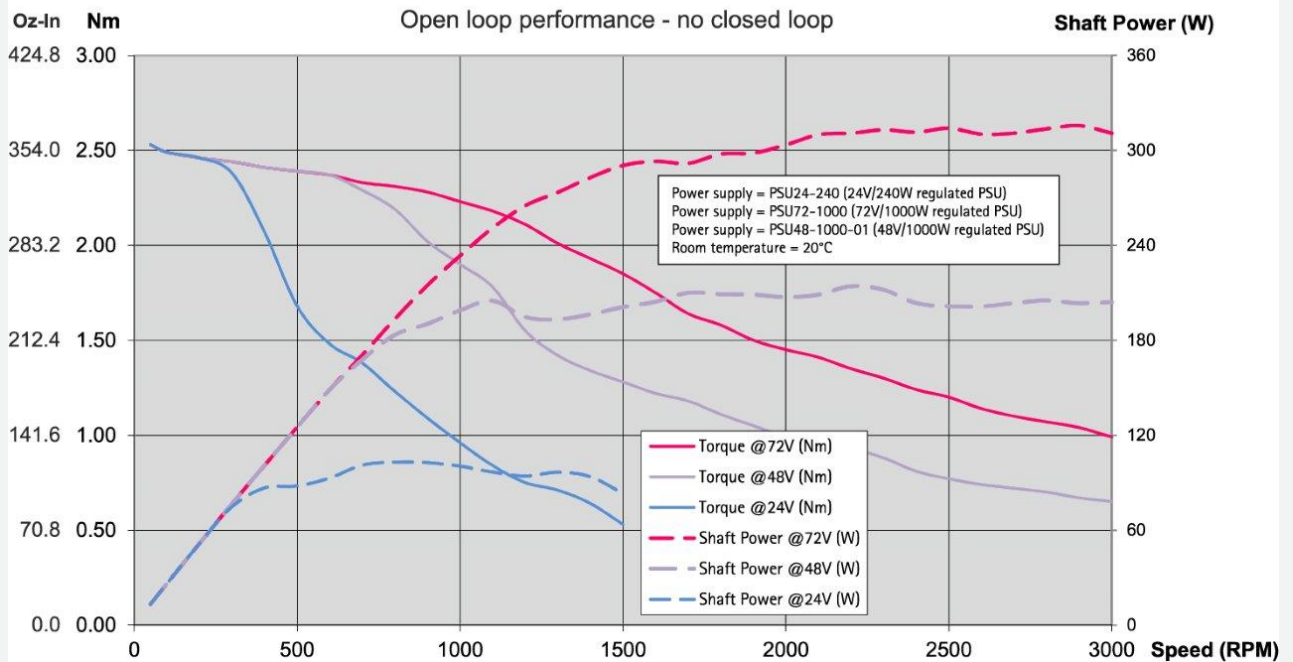
MIS232T3EIH2S6

Int.StepH 12-72VDC, EtherNet/IP, EncC-L, STO

Torque, force and Power information

Supply Volt 1 [V]		Power Peak 1 [W]	
Supply Volt 2 [V]	24	Power Peak 2 [W]	103.00
Supply Volt 3 [V]	48	Power Peak 3 [W]	209.00
Supply Volt 4 [V]	72	Power Peak 4 [W]	316.00
Holding torque [Nm]	2.53	Running torque [Nm]	2.53
Detent torque [Nm]	0.068		

MIS232T motor torque and shaft power versus speed





MIS232T3EIH2S6

Int.StepH 12-72VDC, EtherNet/IP, EncC-L, STO

Electrical information

Main supply [V]	12-72	Main supply Min-Max [V]	7-90
Main supply UL [V]	12-60	Main supply Max UL [V]	7-60
Rated motor current [A]	6.2	Control voltage (CVI/O+) [VDC]	7-28
Control Voltage (CVI) Min-Max [VDC]	7-30	Control Voltage for UL recognized	7-30 VDC 150 mA + max 500 mA for user outputs
CVI current wo Ethernet and output (12/24VDC) [mA]	90/55	Current Ethernet option (12/24VDC) [mA]	120/60
Current brake option [mA]	-	Current for 1 Dig. output - max [mA]	350
Max current CVI [A]			
Encoder type	H2 Incremental/abs_singleturn	Encoder Resolution (H2)	H2 - 4096 Singleturn AbsEnc - Semi multiturn
Encoder Resolution (H3)	-	Encoder revolutions	+/-5242
PLC no. of DI/DO/AI	8	Analogue voltage	0-5VDC 12bit
Dig. Input impedans	30 Kohm	Counter frequency max	12MHz
Standard used		Standard used 2	
Resistance [Ohm]		Induction [mH]	



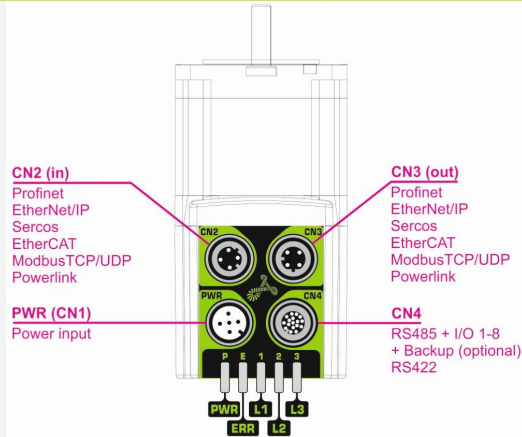
MIS232T3EIH2S6

Int.StepH 12-72VDC, EtherNet/IP, EncC-L, STO

Communication information

Software	MacTalk	Connector 2 RS485	No
Connectivity: Without module	Ethernet IP	Connector 3 RS485	No
		Connector 4 RS485	Yes

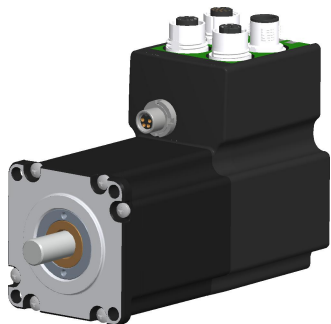
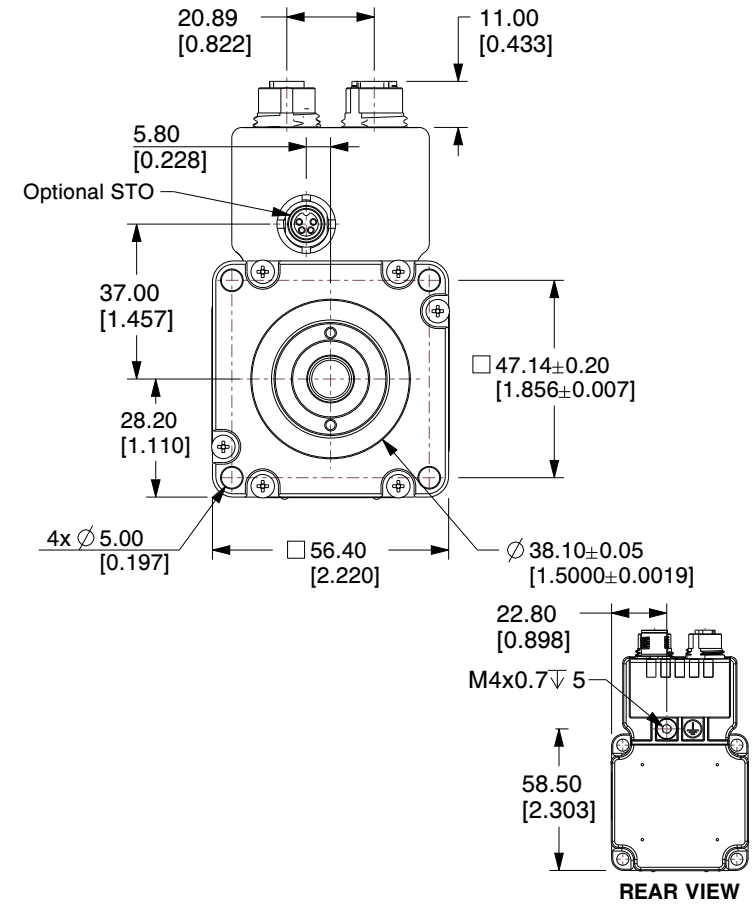
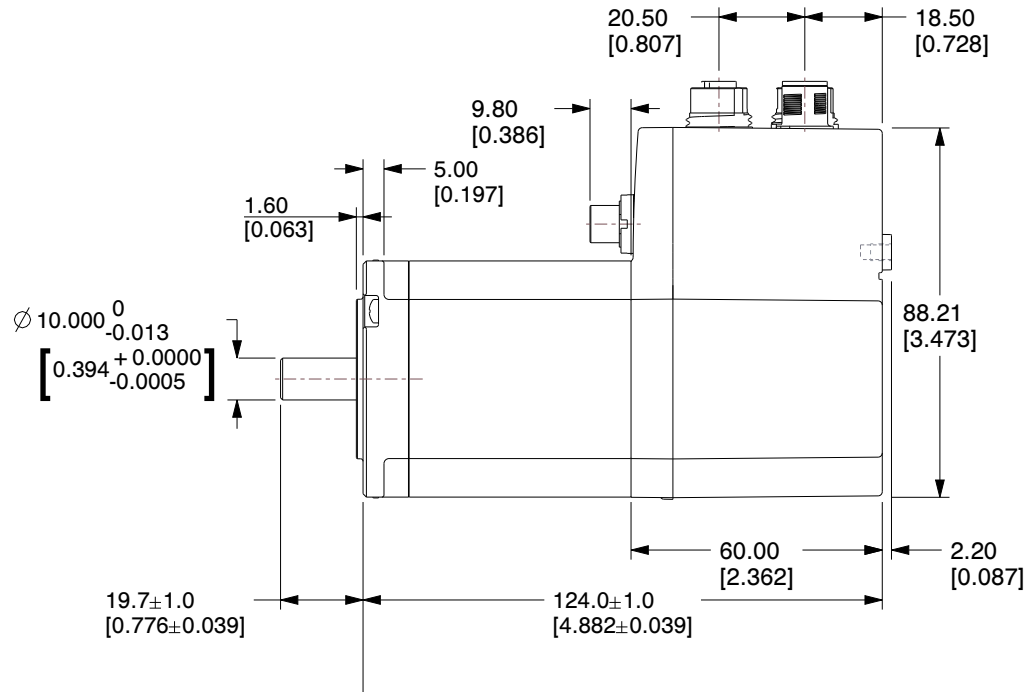
Motor connectors



MIS23xS/T - Ex
RS485 serial communication
in network and Ethernet



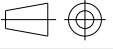
e-PLC Files

Ethernet, PLC demo files



NOTES:

1. Operation Modes : Passive, Position, Gear, Velocity.
2. Tolerance for torque and power is $\pm 10\%$.
3. Shaft - AISI 303 Stainless steel.
4. Front Bearing: 3202-2RS Double row angular contact.
5. Encoder Type: Internal, magnetic, absolute 1 rev. Closed loop ready.
Resolution per rev.: 4096 counts / 1024 lines (quadrature output).

JVL A/S Bregnerødvej 127 DK-3460 Birkerød Denmark			 	
PART NUMBER: <p style="text-align: center;">MIS232T3EIH2S6</p>				
PART DESCRIPTION: <p style="text-align: center;">Integrated Stepper Motor</p>				
	A4	SCALE	NTS	
		UNIT	MM [Inch]	
<small>Unless specifically stated otherwise, this drawing is the property of JVL A/S and no feature embodied herein may be disclosed except as previously authorized</small>				