



MAC320-L1HAAC

Int.Servo.AC 320WS3 0.8Nm IP42 Abs



General information

Description Int.Servo.AC 320WS3 0.8Nm IP42 Abs , WxHxL: 57x57x176.5 mm. 4000 RPM @ 48VDC - 2000 RPM @ 24VDC. 0.8 Nm/2.4 Nm, IP42, Incremental magnetic 8192 CPR + Absolute multiturn encoder 19bit, High Torque, Ethernet Ready, Color: Black, Ø8x20.5 mm with keyway 3x12 mm

Manufacture	JVL	Motor type	Integr. AC-servo - Rotating
Motor power [W]	320	Power Peak [W]	900
Duty Cycle	S3	Max Duty Cycle [%]	50
Continuous Torque	0.8	Peak torque [Nm]	2.4
Main supply [V]	12-48	Voltage type - Main	DC
Speed [Rpm]	4000	Connectivity: Without module	RS232
Encoder type	Abs. Multiturn Encoder	Encoder [Counts/rev]	8192
Fan mounted	No	Brake	External brake option
Integrated gear	No	Gear ratio	-
Integrated PLC	Yes	STO connector	No
Approval TÜV - STO	No	Approval - UL	Pending
PLC no. of AIN	2	PLC no. of DI	-
PLC no. of DIO	-	PLC no. of DO	2
Multifunction IOs	2		
Flange size	57x57	Protection house	IP42
Shaft size - Front [mm]	8.00mm	Protection shaft	IP42
Color	Black	Paint type	



MAC320-L1HAAC

Int.Servo.AC 320WS3 0.8Nm IP42 Abs

General information

Ambient Temperature range [°C]:

Maximum Installation Altitude [m]:

Max. Amb. Temperature range - Torque derating:

- Power Derating every 1000m over 1000m [%]:

Weight net [kg] 1.40

Country Of Origin DK

Weight gross [kg] 1.50

Tariff no 85012000

Tariff no US



MAC320-L1HAAC

Int.Servo.AC 320WS3 0.8Nm IP42 Abs

Mechanical information

Motor type	Integr. AC-servo - Rotating	Color	Black
Rotor inertia [kgcm²]	0.227	Max inertia factor	20
Encoder type	Abs. Multiturn Encoder	Encoder [Counts/rev]	8192
Precision Motor - Absolute [Deg -/+]	0.065	Precision Motor - Max Load [Deg -/+]	
Precision Motor - Repeatability [Deg -/+]	0.033		
Brake	External brake option	Brake - Go ON time [ms]	-
Brake Holding torque [Nm]	-	Brake - Go OFF time [ms]	-
Radial load [N]	75	Radial load distance [mm]	20
Axial load [N]	15		
Axial play [mm]	+/-0.05	Axial play force [N]	
Front bearing type	608ZZ	Rear bearing type	607ZZ
Integrated gear	No	Gear ratio	-
Gear efficiency [%]	< -	Gear backlash [ArcMin]	-
Motor length [mm]	176.4	Motor width [mm]	56.6
Motor height [mm]	56.6	Protection house	IP42
Customer Sealing	Standard		
Flange size	57x57	Mounting holes front [mm]	5.2
Motor diameter center front [mm]	38.1	Bolt circle diameter front [mm]	66.6
Flange material	Aluminium painted Black	Flange Thickness [mm]	5.00
Shaft Key included	Not part of delivery	Shaft Key Dimension	3x3x12
Shaft size - Front [mm]	8.00mm	Protection shaft	IP42
Shaft length Front [mm]	20.5	Shaft material	Steel
Approval - ROHS-3	Yes	Approval - UL	Pending
Approval TÜV - STO	No	Approval - ATEX	No
CAD 2D [PDF]	Download	CAD 3D [STEP]	Download
CAD 2D [DWG]	No	CAD 3D [DWG]	No

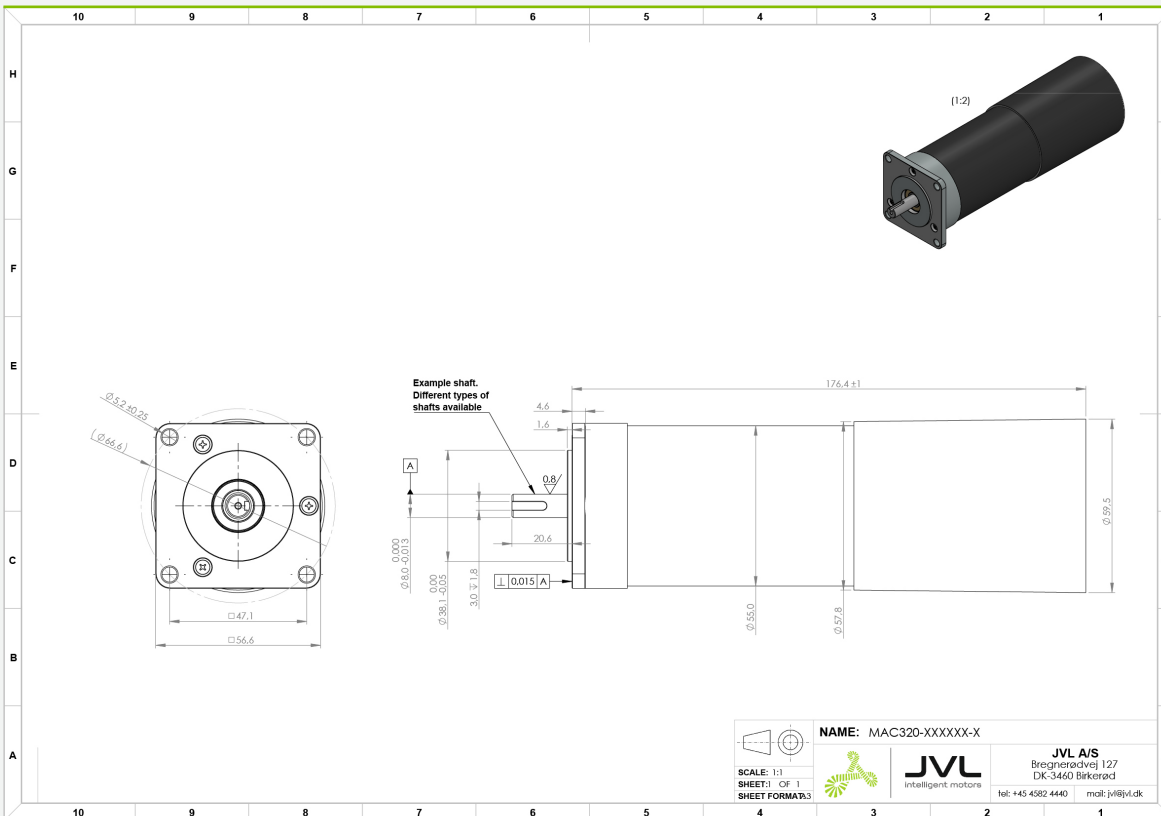


MAC320-L1HAAC

Int.Servo.AC 320WS3 0.8Nm IP42 Abs

Mechanical information

CAD 3D [EASM]	No	CAD 3D [IGES]	Download
Datasheet - pdf	No	User Manual	Download
REACH SVHC document	Download	Low voltage Directive	EU Declarations of Conformity
No Dual Use	Read more here		



Shaft Seal

	NAME: MAC320-XXXXXX-X	JVL A/S Bregnerødvej 127 DK-3460 Birkerød Tel: +45 4582 4440 mail: jvl@jvl.dk
SCALE: 1:1		
SHEET: OF 1	intelligent motors	
SHEET FORMAT: A3		

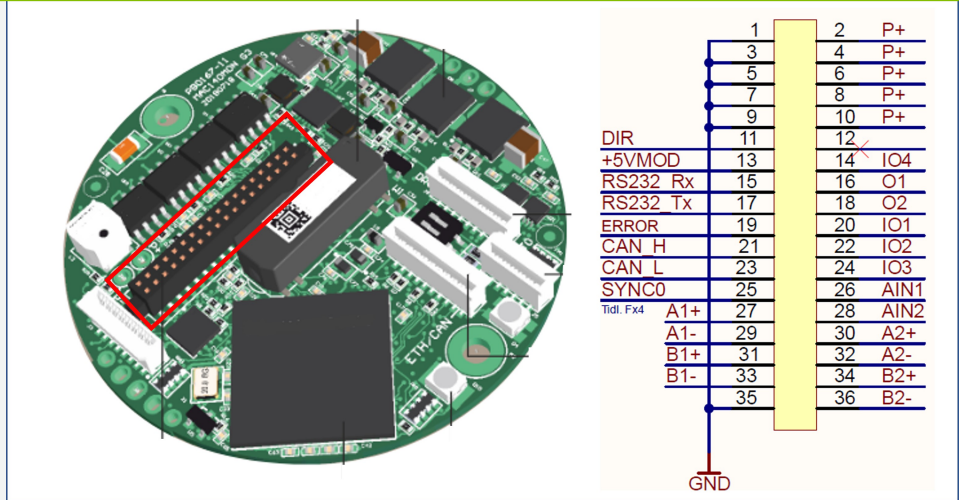


MAC320-L1HAAC

Int.Servo.AC 320WS3 0.8Nm IP42 Abs

Connector information

Motor connectors



Connector Power	No	Connector Power Supplier
Connector Power direction	-	
PDO Connector Type	No	Connector PDO Supplier
Connector STO	No	
Expansion connector	Generation 2	

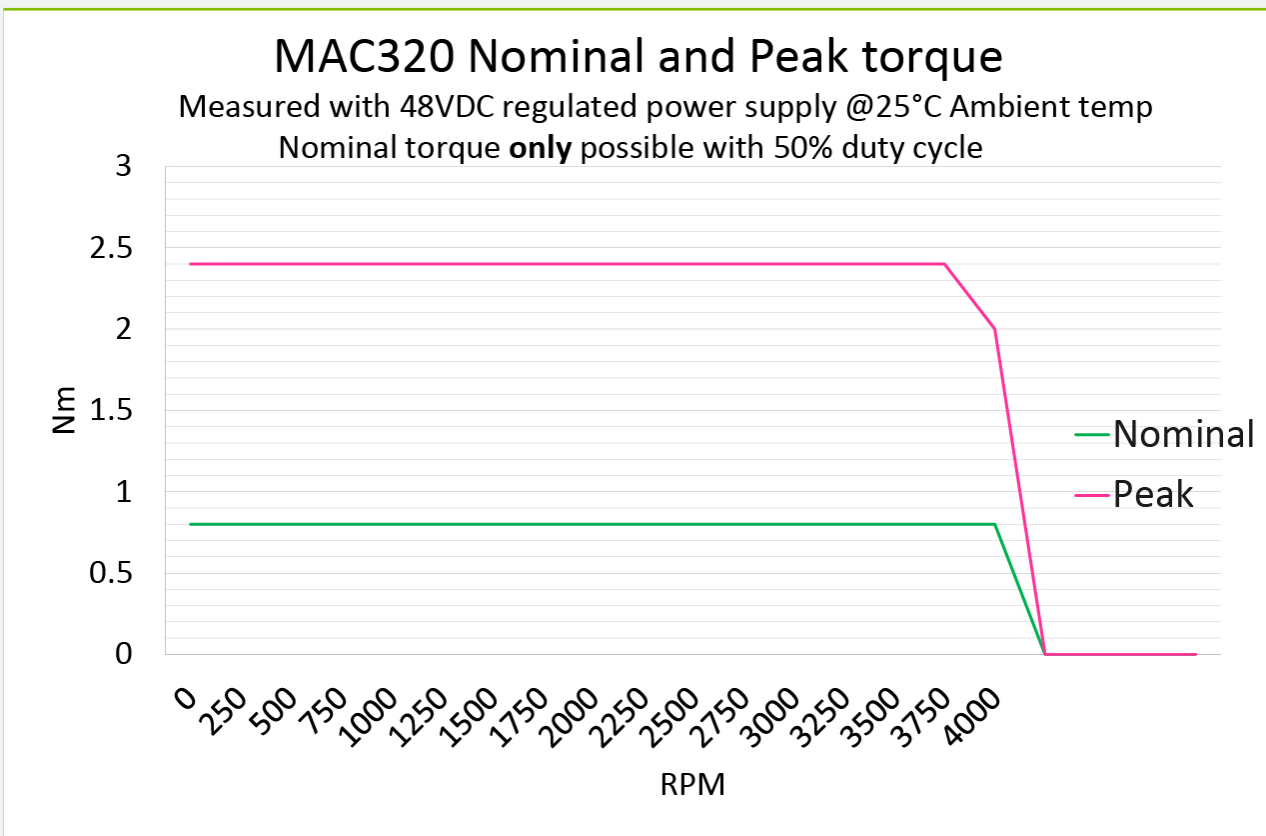


MAC320-L1HAAC

Int.Servo.AC 320WS3 0.8Nm IP42 Abs

Torque, force and Power information

RMS torque [Nm]	0.8	Peak torque [Nm]	2.4
Supply Volt 1 [V]	12	Velocity max 1 [Rpm]	1500
Supply Volt 2 [V]	24	Velocity max 2 [Rpm]	3000
Supply Volt 3 [V]	36	Velocity max 3 [Rpm]	4500
Supply Volt 4 [V]	48	Velocity max 4 [Rpm]	4500





MAC320-L1HAAC

Int.Servo.AC 320WS3 0.8Nm IP42 Abs

Electrical information

Main supply [V]	12-48	Main supply Min-Max [V]	10-50
Voltage type - Main	DC	Main Voltage possible	8-52
Inrush current -Main max [A]		Inrush special	No
Recommended fuse	T20A	P- isolated from Earth (Low Voltage ground (P-) isolated from housing)	No
Bus Supply Voltage Min [V]		Busvoltage Overvoltage limit [VDC]	60V
Power Dump Voltage Active Level [V]		Internal Power-Dump Resistance [Ohm]	-
Internal Power-Dump Power [W]	-	PD connection - Int/Ext	None
External Power-Dump Resistance Minimum value [Ohm]	-	External Power-Dump Max Current [A]	-
Control voltage (CVI/O+) [VDC]	12-28	Control Voltage (CVI) Min-Max [VDC]	12-30
PLC no. of DI	-	PLC no. of DO	2
PLC no. of DIO	-	PLC no. of AIN	2
Analogue voltage	-/+10VDC, -/+11bit	Multifunction IOs	2
Multifunction Nom. level [V]		Multifunction Maximum level [V]	
Multifunction Low trigger level [V]		Multifunction High trigger level [V]	
Resistance [Ohm]		Induction [mH]	
MTBF 100% [Year]	-	MTBF 30% [Year]	-



MAC320-L1HAAC

Int.Servo.AC 320WS3 0.8Nm IP42 Abs

Communication information

Software	MacTalk	
Connectivity: Without module	RS232	e-PLC Files
Connectivity: Gen. 2 modules	Yes	



MAC320-L1HAAC

Int.Servo.AC 320WS3 0.8Nm IP42 Abs

Cable information

Item number	Mount on	Cable con 1 +Con 1 angle	Cable application	Wires no totally	Cable length [m]
Item description		Cable con 2 +Con 2 angle	Cable flexibility	Wire [mm2]	Connector 1 LED
WI1000-M12F12S05N	Connector Power	M12 12-pin female A-coded - 180° Straight	Power/Motor/com	12	5
M12 Cable 5m 12 pin Fem 0° RS422		Open Ended - n/a	Standard	0.32	No
WI1000-M12F12V05N	Connector Power	M12 12-pin female A-coded - 90° Angled	Power/Motor/com	12	5
M12 Shl Cable 5m 12 pin Fem 90° RS422		Open Ended - n/a	Standard	0.32	No
WI1000-M12F5T02N	Connector Power	M12 5-pin female A-coded - 180° Straight	Power/Motor/com	5	2
M12 Shl Cable 2m 5 pin Fem 0°, Power		Open Ended - n/a	Standard	0.32	No
WI1000-M12F5T05N	Connector Power	M12 5-pin female A-coded - 180° Straight	Power/Motor/com	5	5
M12 Shl Cable 5m 5 pin Fem 0°, Power		Open Ended - n/a	Standard	0.32	No
WI1000-M12F5T1.2N	Connector Power	M12 5-pin female A-coded - 180° Straight	Power/Motor/com	5	1.2
M12 Shl Cable 1.2m 5 pin Fem 0°, Power		Open Ended - n/a	Standard	0.32	No
WI1000-M12F5T10N	Connector Power	M12 5-pin female A-coded - 180° Straight	Power/Motor/com	5	10
M12 Shl Cable 10m 5 pin Fem 0°, Power		Open Ended - n/a	Standard	0.32	No
WI1000-M12F5T10R	Connector Power	M12 5-pin female A-coded - 180° Straight	Power/Motor/com	5	10
M12 Shl Cable 10m 5 pin Fem 0°, Power, High-flex		Open Ended - n/a	Cable Chains - 2D	0.34	No
WI1000-M12F5T20N	Connector Power	M12 5-pin female A-coded - 180° Straight	Power/Motor/com	5	20
M12 Shl Cable 20m 5 pin Fem 0°, Power		Open Ended - n/a	Standard	0.32	No
WI1000-M12F5TLT0185	Connector Power	M12 5-pin female A-coded - 180° Straight	Power/Motor/com	5	3
M12 shl Cable 3m 5 pin female 0°,PW SPEC		- n/a	Standard	0.32	No
WI1000-M12F5TM5T1.5N	Connector Power	M12 5-pin female A-coded - 180° Straight	Power/Motor/com		1.5
M12 A Code Shl Cable 1.5m 5 pin Female/Male 0° Pow		- n/a			No
WI1000-M12F5V05N	Connector Power	M12 5-pin female A-coded - 90° Angled	Power/Motor/com	5	5
M12 Shl Cable 5m 5 pin Fem 90°, Power		Open Ended - n/a	Standard	0.32	No
WI1000-M12F5V05R	Connector Power	M12 5-pin female A-coded - 90° Angled	Power/Motor/com		5
M12 Shl Cable 5m 5 pin Fem 90°, Power, 3D		- n/a			No
WI1000-M12F5V10N	Connector Power	M12 5-pin female A-coded - 90° Angled	Power/Motor/com	5	10
M12 Shl Cable 10 m 5 pin Fem 90°, Power		Open Ended - n/a	Standard	0.32	No
WI1000-M12F5V20N	Connector Power	M12 5-pin female A-coded - 90° Angled	Power/Motor/com	5	20
M12 Shl Cable 20m 5 pin Fem 90°, Power		Open Ended - n/a	Standard	0.32	No
WI1000-M12F5W05N	Connector Power	M12 5-pin female A-coded - 90° Angled	Power/Motor/com	5	5
M12 Shl Cable 5m LED 5p Fem 90°, Power <50V		Open Ended - n/a	Standard	0.32	LED
WI1000-M12F5W10N	Connector Power	M12 5-pin female A-coded - 90° Angled	Power/Motor/com	5	10
M12 Shl Cable 10m LED 5 p Fem 90°, Power <50V		Open Ended - n/a	Standard	0.32	LED
WI1000-M12F5W15N	Connector Power	M12 5-pin female A-coded - 90° Angled	Power/Motor/com	5	15
M12 Shl Cable 15m LED 5 p Fem 90°, Power <50V		Open Ended - n/a	Standard	0.32	LED
WI1000-M12F5W20N	Connector Power	M12 5-pin female A-coded - 90° Angled	Power/Motor/com	5	20
M12 Shl Cable 20m LED 5 p Fem 90°, Power <50V		Open Ended - n/a	Standard	0.32	LED
WI1000-M12F5WF5W20N	Connector Power	M12 5-pin female A-coded - 90° Angled	Power/Motor/com	5	20
M12 shl cab 20m LED 5 pin female 90',Pow <50V		M12 5-pin female A-coded - n/a	Standard	0.32	LED
WI1000-M12F8T05N	Connector Power	M12 8-pin female A-coded - 180° Straight	Power/Motor/com	8	5
M12 Shl Cable 5m 8 p Fem 0°, Basic IO		Open Ended - n/a	Standard	0.32	No
WI1000-M12F8T20N	Connector Power	M12 8-pin female A-coded - 180° Straight	Power/Motor/com	8	20
M12 Shl Cable 20m 8 p Fem 0°, Basic IO		Open Ended - n/a	Standard	0.32	No
WI1000-M12F8V05N	Connector Power	M12 8-pin female A-coded - 90° Angled	Power/Motor/com	8	5
M12 Shl Cable 5m 8 p Fem 90°, Basic IO		Open Ended - n/a	Standard	0.32	No
WI1000-M12F8V20N	Connector Power	M12 8-pin female A-coded - 90° Angled	Power/Motor/com	8	20
M12 Shl Cable 20m 8 p Fem 90°, Basic IO		Open Ended - n/a	Standard	0.32	No
WI1000-M12M4TF4T01N	Connector Power	M12 4-pin male A-coded - 180° Straight	Power/Motor/com	4	1
M12 cable 1m Male4p 0° Fem4pin 0° std cable		M12 4-pin female A-coded - n/a	Standard	0.32	No
WI1000-M12M4TF4T02N	Connector Power	M12 4-pin male A-coded - 180° Straight	Power/Motor/com	4	2
M12 cable 2m Male4p 0° Fem4pin 0° std cable		M12 4-pin female A-coded - n/a	Standard	0.32	No
WI1000-M12M4TF4T03N	Connector Power	M12 4-pin male A-coded - 180° Straight	Power/Motor/com	4	3
M12 cable 3m Male4p 0° Fem4pin 0° std cable		M12 4-pin female A-coded - n/a	Standard	0.32	No
WI1000-M12M5A05N	Connector Power	M12 5-pin male A-coded - 90° Angled	Power/Motor/com	5	5
M12 cable 5m, 5 pin male 90°, COM2/ B4		Open Ended - n/a	Standard	0.32	No
WI1000-M12M5T05N	Connector Power	M12 5-pin male A-coded - 180° Straight	Power/Motor/com	5	5



MAC320-L1HAAC

Int.Servo.AC 320WS3 0.8Nm IP42 Abs

Cable information

Item number	Mount on	Cable con 1 +Con 1 angle	Cable application	Wires no totally	Cable length [m]
Item description		Cable con 2 +Con 2 angle	Cable flexibility	Wire [mm2]	Connector 1 LED
M12 Shl Cable 5m 5 p Male 0°, COM		Open Ended - n/a	Standard	0.32	No
WI1000-M12M5T20N	Connector Power	M12 5-pin male A-coded - 180° Straight	Power/Motor/com	5	20
M12 Shl Cable 20m 5 p Male 0°, COM		Open Ended - n/a	Standard	0.32	No
WI1000-M12M5TF5T.5N	Connector Power	M12 5-pin male A-coded - 180° Straight	Power/Motor/com	5	0.5
M12 Shl Cable .5m 5p Male 0° to 5p Fem 0		M12 5-pin female A-coded - n/a	Standard	0.32	No
WI1000-M12M5TF5T01N	Connector Power	M12 5-pin male A-coded - 180° Straight	Power/Motor/com	5	1
M12 Shl Cable 1m 5p Male 0° to 5p Fem 0°		M12 5-pin female A-coded - n/a	Standard	0.32	No
WI1000-M12M5TF5T02N	Connector Power	M12 5-pin male A-coded - 180° Straight	Power/Motor/com	5	2
M12 Shl Cable 2m 5p Male 0° to 5p Fem 0°		M12 5-pin female A-coded - n/a	Standard	0.32	No
WI1000-M12M5TF5T02T	Connector Power	M12 5-pin male A-coded - 180° Straight	Power/Motor/com	5	2
M12 Cable 2m 5pM 0° to 5pF 0° twisted, power c		M12 5-pin female A-coded - n/a	Standard	0.32	No
WI1000-M12M5TF5T03N	Connector Power	M12 5-pin male A-coded - 180° Straight	Power/Motor/com	5	3
M12 Shl Cable 3m 5p Male 0° to 5p Fem 0°		M12 5-pin female A-coded - n/a	Standard	0.32	No
WI1000-M12M5V05N	Connector Power	M12 5-pin male A-coded - 90° Angled	Power/Motor/com	5	5
M12 Shl Cable 5m 5 p Male 90°, COM		Open Ended - n/a	Standard	0.32	No
WI1000-M12M5V20N	Connector Power	M12 5-pin male A-coded - 90° Angled	Power/Motor/com	5	20
M12 Shl Cable 20m 5 p Male 90°, COM		Open Ended - n/a	Standard	0.32	No
WI1000-M12M8T02N	Connector Power	M12 8-pin male A-coded - 180° Straight	Power/Motor/com	8	2
M12 Shl Cable 2m 8 p Male 0° COM1/Ext IO		Open Ended - n/a	Standard	0.32	No
WI1000-M12M8T05N	Connector Power	M12 8-pin male A-coded - 180° Straight	Power/Motor/com	8	5
M12 Shl Cable 5m 8 p Male 0° COM1/Ext IO		Open Ended - n/a	Standard	0.32	No
WI1000-M12M8T20N	Connector Power	M12 8-pin male A-coded - 180° Straight	Power/Motor/com	8	20
M12 Shl Cable 20m 8 p Male 0° COM1/ExtIO		Open Ended - n/a	Standard	0.32	No
WI1000-M12M8T20R	Connector Power	M12 8-pin male A-coded - 180° Straight	Power/Motor/com		20
M12 Shl Cable 20m 8 p Male 0° 2D cable chain		- n/a			No
WI1000-M12M8TF4LT186	Connector Power	M12 8-pin male A-coded - 180° Straight	Power/Motor/com	8	5
M12 shl cable5m, M12 M8, M8 F4 0° IO		M12 4-pin female A-coded - n/a		0.32	No
WI1000-M12M8TLT0184	Connector Power	M12 8-pin male A-coded - 180° Straight	Power/Motor/com	8	5
M12 shl cable5m, 8 pin male 0° IO SPEC		M12 4-pin female A-coded - n/a		0.32	No
WI1000-M12M8V05N	Connector Power	M12 8-pin male A-coded - 90° Angled	Power/Motor/com	8	5
M12 Shl Cable 5m 8 p Mal 90° COM1/ExtIO		Open Ended - n/a	Standard	0.2	No
WI1000-M12M8V20N	Connector Power	M12 8-pin male A-coded - 90° Angled	Power/Motor/com	8	20
M12 Shl Cable 20m 8 p Mal 90° COM1/ExtIO		Open Ended - n/a	Standard	0.2	No
WI1000-M8F2T05N	Connector Power	M8 2-pin female A-coded - 180° Straight	Power/Motor/com		5
M8 Cable 5m 2pin Fem 0° shield		Open Ended - n/a	Standard		No
WI1000-M8F4A03N005	Connector Power	M8 4-pin female A-coded - 90° Angled	Power/Motor/com		3
M8 Cable 3m 4 pin Fem 90° with Molex		Molex 2-pin - n/a	Standard		No
WI1000-M8F4A05N005	Connector Power	M8 4-pin female A-coded - 90° Angled	Power/Motor/com		5
M8 Cable 5m 4 pin Fem 90° with Molex		Molex 2-pin - n/a	Standard		No
WI1000-M8F4A10N005	Connector Power	M8 4-pin female A-coded - 90° Angled	Power/Motor/com		10
M8 Cable 10m 4 pin Fem 90° with Molex		Molex 2-pin - n/a	Standard		No
WI1000-M8F4A10R	Connector Power	M8 4-pin female A-coded - 90° Angled	Power/Motor/com		10
M8 Cable 10m 4 pin Fem 90°, High-flex PUR		Open Ended - n/a	Standard		No
WI1000-M8F4B20N	Connector Power	M8 4-pin female A-coded - 180° Straight	Power/Motor/com		10
M8 Cable 20m 4 pin Fem 0° Not shielded		Open Ended - n/a	Standard		No
WI1000-M8M3S05R	Connector Power	M8 3-pin male A-coded - 180° Straight	Power/Motor/com		5
M8 Cable 5m 3 pin Male 0°		Open Ended - n/a	Standard		No
WI1000-M8M3S1.5R	Connector Power	M8 3-pin male A-coded - 180° Straight	Power/Motor/com		1.5
M8 Cable 1.5m 3 pin Male 0°		Open Ended - n/a	Standard		No
WI1004-M12M5TM5T05N	Connector Power	M12 5-pin male - 180° Straight			5
M12 Cab 5m, M5p- M5p, RS232. Std cable		M12 5-pin male - n/a			No
WI1005-M12F5TF5T03P	Connector Power	M12 5-pin female A-coded - 180° Straight	Communication		3
M12 Cab 3m, 5p Fem - 5p Fem twistedPair		M12 5-pin female A-coded - n/a		0.32	No
WI1005-M12F5TM5T2.0N	Connector Power	M12 5-pin female A-coded - 180° Straight	Communication		2
M12 cable 2m, 5 pin female - 5pin male		M12 5-pin male A-coded - n/a	Standard	0.32	No



MAC320-L1HAAC

Int.Servo.AC 320WS3 0.8Nm IP42 Abs

Cable information

Item number	Mount on	Cable con 1 +Con 1 angle	Cable application	Wires no totally	Cable length [m]
Item description		Cable con 2 +Con 2 angle	Cable flexibility	Wire [mm2]	Connector 1 LED
WI1005-M12M17SAA01 M12 17-pin male Axis 1 Without wire	Connector Power	M12 17-pin male A-coded - 180° Straight n/a - n/a	Communication n/a	n/a n/a	Connector No
WI1005-M12M17SAA01W M12 17-pin male Axis 1, with wire 1,2m	Connector Power	M12 17-pin male A-coded - 180° Straight n/a - n/a	Communication n/a	n/a n/a	Connector No
WI1005-M12M17SAA02 M12 17-pin male Axis 2 Without wire	Connector Power	M12 17-pin male A-coded - 180° Straight n/a - n/a	Communication n/a	n/a n/a	Connector No
WI1005-M12M17SAA03 M12 17-pin male Axis 3 Without wire	Connector Power	M12 17-pin male A-coded - 180° Straight n/a - n/a	Communication n/a	n/a n/a	Connector No
WI1005-M12M17SAA04 M12 17-pin male Axis 4 Without wire	Connector Power	M12 17-pin male A-coded - 180° Straight n/a - n/a	Communication n/a	n/a n/a	Connector No
WI1005-M12M17SAA05 M12 17-pin male Axis 5 Without wire	Connector Power	M12 17-pin male A-coded - 180° Straight n/a - n/a	Communication n/a	n/a n/a	Connector No
WI1005-M12M17SAA06 M12 17-pin male Axis 6 Without wire	Connector Power	M12 17-pin male A-coded - 180° Straight n/a - n/a	Communication n/a	n/a n/a	Connector No
WI1005-M12M17SAA06W M12 17-pin male Axis 6 with wire 1,2m	Connector Power	M12 17-pin male A-coded - 180° Straight n/a - n/a	Communication n/a	n/a n/a	Connector No
WI1005-M12M17SAA07 M12 17-pin male Axis 7 Without wire	Connector Power	M12 17-pin male A-coded - 180° Straight n/a - n/a	Communication n/a	n/a n/a	Connector No
WI1005-M12M17SAA08 M12 17-pin male Axis 8 Without wire	Connector Power	M12 17-pin male A-coded - 180° Straight n/a - n/a	Communication n/a	n/a n/a	Connector No
WI1005-M12M17SAA09 M12 17-pin male Axis 9 Without wire	Connector Power	M12 17-pin male A-coded - 180° Straight n/a - n/a	Communication n/a	n/a n/a	Connector No
WI1005-M12M17SAA10 M12 17-pin male Axis 10 Without wire	Connector Power	M12 17-pin male A-coded - 180° Straight n/a - n/a	Communication n/a	n/a n/a	Connector No
WI1005-M12M5STR6 M12 5-pin male A Code Resistor RS485	Connector Power	M12 5-pin male A-coded - 180° Straight n/a - n/a	Communication n/a	n/a n/a	Connector No
WI1005-M12M5TF5T.2N M12 Cab 0.2m, 5p Mal - 5p Fem, RS485 .Std cable	Connector Power	M12 5-pin male A-coded - 180° Straight M12 5-pin male A-coded - n/a	Communication Standard	n/a 0.32	0.2 No
WI1005-M12M5TM5T01N M12 Cab 1m, 5p Mal - 5p Mal, RS485. Std cable	Connector Power	M12 5-pin male A-coded - 180° Straight M12 5-pin male A-coded - n/a	Communication Standard	n/a 0.32	1 No
WI1005-M12M8QM5V.3N M12 Shl Cab 0.3m 8p Mal 5p Mal 90° RS485 twisted	Connector Power	M12 8-pin male A-coded - 90° Angled M12 5-pin male A-coded - n/a	Communication Standard	n/a 0.32	0.3 No
WI1005-M12M8S10N M12 Shl Cable 10m, 8 p Male MAC00-B41 twisted	Connector Power	M12 8-pin male A-coded - 180° Straight Open Ended - n/a	Communication Standard	8 0.32	10 No
WI1005-M12M8STR5 M12 8-pin male A Code Resistor RS485	Connector Power	M12 8-pin male A-coded - 180° Straight n/a - n/a	Communication n/a	n/a 0.32	Connector No
WI1005-M12M8TF8T01N M12 Shl Cab 1m 8p Male 0° to 8p Female 0° 2x4pair	Connector Power	M12 8-pin male A-coded - 180° Straight M12 8-pin female A-coded - n/a	Communication Standard	8 0.32	1 No
WI1005-M12M8TF8T20N M12 Shl Cab 20m 8p Male 8p Female 0° 2x4p twisted	Connector Power	M12 8-pin male A-coded - 180° Straight M12 8-pin female A-coded - n/a	Communication n/a	8 0.32	20 No
WI1005-M12M8TM5T.3N M12 Shl Cab 0,3 m 8p Male 5p Male 0° RS485 twisted	Connector Power	M12 8-pin male A-coded - 180° Straight M12 5-pin male A-coded - n/a	Communication Standard	5 0.32	0.3 No
WI1005-M12M8TM5T.5N M12 Shl Cab 0,5 m 8p Male 5p Male 0° RS485 twisted	Connector Power	M12 8-pin male A-coded - 180° Straight M12 5-pin male A-coded - n/a	Communication Standard	5 0.32	0.5 No
WI1005-M12M8TM5T05N M12 Shl Cab 5m 8p Male 5p Male 0° RS485 twisted	Connector Power	M12 8-pin male A-coded - 180° Straight M12 5-pin male A-coded - n/a	Communication Standard	5 0.32	5 No
WI1005-M12M8VM5V.5N M12 Shl Cab 0.5m 8pMale 5pMale 90° RS485 twisted	Connector Power	M12 8-pin male A-coded - 90° Angled M12 5-pin male A-coded - n/a	Communication Standard	5 0.32	0,5 No
WI1005-M12M8VM5V03N M12 Shl Cab3m 8p Male 5p Male 90° RS485 twisted	Connector Power	M12 8-pin male A-coded - 90° Angled M12 5-pin male A-coded - n/a	Communication Standard	5 0.32	3 No
WI1005-M12M8VM5V10N M12 Shl Cab10m 8p Male 5p Male 90° RS485 twisted	Connector Power	M12 8-pin male A-coded - 90° Angled M12 5-pin male A-coded - n/a	Communication Standard	5 0.32	10 No
WI1005-M12M8VM5V20N M12 Shl Cab20m 8p Male 5p Male 90° RS485 twisted	Connector Power	M12 8-pin male A-coded - 90° Angled M12 5-pin male A-coded - n/a	Communication Standard	5 0.32	20 No
WI1006-M12F5S02.5R	Connector Power	M12 5-pin female A-coded CAN - 180° Straight CANopen/DeviceNet 4			2.5



MAC320-L1HAAC

Int.Servo.AC 320WS3 0.8Nm IP42 Abs

Cable information

Item number	Mount on	Cable con 1 +Con 1 angle	Cable application	Wires no totally	Cable length [m]
Item description		Cable con 2 +Con 2 angle	Cable flexibility	Wire [mm2]	Connector 1 LED
M12 2.5m, 5 p Fem 0° CAN/DeviceNet		Open Ended - n/a	Robotic - 3D	0.32 + 0.2	No
WI1006-M12F5S05R	Connector Power	M12 5-pin female A-coded CAN - 180° Straight	CANopen/DeviceNet 4		5
M12 5m, 5 p Fem 0° CAN 2D flexible		Open Ended - n/a	Robotic - 3D	0.32 + 0.2	No
WI1006-M12F5S15R	Connector Power	M12 5-pin female A-coded CAN - 180° Straight	CANopen/DeviceNet 4		15
M12 15m, 5 p Fem 0° CAN/DeviceNet		Open Ended - n/a	Robotic - 3D	0.32 + 0.2	No
WI1006-M12F5T.3N	Connector Power	M12 5-pin female A-coded CAN - 180° Straight	CANopen/DeviceNet 4		0.3
M12 0.3m 5 p Fem 0° CAN/DeviceNet		Open Ended - n/a	Standard	0.32 + 0.2	No
WI1006-M12F5T01N	Connector Power	M12 5-pin female A-coded CAN - 180° Straight	CANopen/DeviceNet 4		1
M12 1m 5 p Fem 0° CAN/DeviceNet		Open Ended - n/a	Standard	0.32 + 0.2	No
WI1006-M12F5T05N	Connector Power	M12 5-pin female A-coded CAN - 180° Straight	CANopen/DeviceNet		5
M12 5m 5p Female 0° CAN/DeviceNet		Open Ended - n/a			No
WI1006-M12F5TM5T.25N	Connector Power	M12 5-pin female A-coded CAN - 180° Straight	CANopen/DeviceNet 4		0.25
M12 0.25m 5p Fem/Male 0° CAN twisted pair		M12 5-pin male A-coded CAN - n/a	Standard	0.32 + 0.2	No
WI1006-M12F5TM5T01N	Connector Power	M12 5-pin female A-coded CAN - 180° Straight	CANopen/DeviceNet 4		1
M12 1m 5p Fem/Male 0° CAN twisted pair		M12 5-pin male A-coded CAN - n/a	Standard	0.32 + 0.2	No
WI1006-M12F5TM5T02N	Connector Power	M12 5-pin female A-coded CAN - 180° Straight	CANopen/DeviceNet 4		2
M12 2m 5p Fem/Male 0° CAN Twisted pair		M12 5-pin male A-coded CAN - n/a	Standard	0.32 + 0.2	No
WI1006-M12F5TM5T03N	Connector Power	M12 5-pin female A-coded CAN - 180° Straight	CANopen/DeviceNet 4		3
M12 3m 5p Fem/Male 0° CAN Twisted pair		M12 5-pin male A-coded CAN - n/a	Standard	0.32 + 0.2	No
WI1006-M12F5TM5T05N	Connector Power	M12 5-pin female A-coded CAN - 180° Straight	CANopen/DeviceNet 4		5
M12 5m 5p Fem/Male 0° CAN Twisted pair		M12 5-pin male A-coded CAN - n/a	Standard	0.32 + 0.2	No
WI1006-M12F5TM5T10N	Connector Power	M12 5-pin female A-coded CAN - 180° Straight	CANopen/DeviceNet 4		10
M12 10m 5p Fem/Male 0° CAN Twisted pair		M12 5-pin male A-coded CAN - n/a	Standard	0.32 + 0.2	No
WI1006-M12F5TM5T20N	Connector Power	M12 5-pin female A-coded CAN - 180° Straight	CANopen/DeviceNet 4		20
M12 20m 5p Fem/Male 0° CAN Twisted pair		M12 5-pin male A-coded CAN - n/a	Standard	0.32 + 0.2	No
WI1006-M12M5S05R	Connector Power	M12 5-pin male A-coded CAN - 180° Straight	CANopen/DeviceNet 4		5
M12 5m 5p Male 0° CAN Twisted pair		Open Ended - n/a	Robotic - 3D	0.32 + 0.2	No
WI1006-M12M5S05T	Connector Power	M12 5-pin male A-coded CAN - 180° Straight	CANopen/DeviceNet 4		5
M12 5m 5p Male 0° CAN Twisted pair		Open Ended - n/a	Standard	0.32 + 0.2	No
WI1006-M12M5S15R	Connector Power	M12 5-pin male A-coded CAN - 180° Straight	CANopen/DeviceNet 4		15
M12 15m 5p Male 0° CAN Twisted pair		Open Ended - n/a	Robotic - 3D	0.32 + 0.2	No
WI1006-M12M5T05N	Connector Power	M12 5-pin male A-coded CAN - 180° Straight	CANopen/DeviceNet		
M12 5m 5p Male 0° CAN/DeviceNet		- n/a			No
WI1006-M12M5TM5T.3N	Connector Power	M12 5-pin male A-coded CAN - 180° Straight	CANopen/DeviceNet 4		0.3
M12 0.3m 5p Male/Male 0° CAN Twisted pair		M12 5-pin male A-coded CAN - n/a	Standard	0.32 + 0.2	No
WI1006-M12M5TM5T01N	Connector Power	M12 5-pin male A-coded CAN - 180° Straight	CANopen/DeviceNet 4		1
M12 1m 5p Male/Male 0° CAN Twisted pair		M12 5-pin male A-coded CAN - n/a	Standard	0.32 + 0.2	No
WI1006-M12M5TM5T02N	Connector Power	M12 5-pin male A-coded CAN - 180° Straight	CANopen/DeviceNet 4		2
M12 2m 5p Male/Male 0° CAN Twisted pair		M12 5-pin male A-coded CAN - n/a	Standard	0.32 + 0.2	No
WI1006-M12M5TM5T03N	Connector Power	M12 5-pin male A-coded CAN - 180° Straight	CANopen/DeviceNet 4		3
M12 3m 5p Male/Male 0° CAN Twisted pair		M12 5-pin male A-coded CAN - n/a	Standard	0.32 + 0.2	No
WI1006-M12M5TM5T05N	Connector Power	M12 5-pin male A-coded CAN - 180° Straight	CANopen/DeviceNet 4		5
M12 5m 5p Male/Male 0° CAN Twisted pair		M12 5-pin male A-coded CAN - n/a	Standard	0.32 + 0.2	No
WI1006-M12M5TM5T1.7N	Connector Power	M12 5-pin male A-coded CAN - 180° Straight	CANopen/DeviceNet 4		1.7
M12 1.7m 5p Male/Male 0° CAN Twisted pair		M12 5-pin male A-coded CAN - n/a	Standard	0.32 + 0.2	No
WI1006-M12M5TM5T20N	Connector Power	M12 5-pin male A-coded CAN - 180° Straight	CANopen/DeviceNet 4		20
M12 20m 5p Male/Male 0° CAN Twisted pair		M12 5-pin male A-coded CAN - n/a	Standard	0.32 + 0.2	No
WI1008-M12F5AG1	Connector Power	M12 5-pin female A-coded - 90° Angled	CANopen/DeviceNet		20
M12 Con 5p Fem 90° Spring Ø4-8mm cable		Open Ended - n/a			No
WI1008-M12F5SS1	Connector Power	M12 5-pin female A-coded - 180° Straight	CANopen/DeviceNet n/a		Connector
M12 Con 5p Fem 0° Solder assembly		- n/a	n/a	n/a	No
WI1008-M12F5TG1	Connector Power	M12 5-pin female A-coded - 180° Straight	CANopen/DeviceNet n/a		Connector
M12 Con 5p Fem 0° Spring Shield+B222		- n/a	n/a	n/a	No
WI1008-M12F5VG1	Connector Power	M12 5-pin female A-coded - 90° Angled	CANopen/DeviceNet n/a		Connector
M12 Con 5p Fem 90° Spring Shield		- n/a	n/a	n/a	No



MAC320-L1HAAC

Int.Servo.AC 320WS3 0.8Nm IP42 Abs

Cable information

Item number	Mount on	Cable con 1 +Con 1 angle	Cable application	Wires no totally	Cable length [m]
Item description		Cable con 2 +Con 2 angle	Cable flexibility	Wire [mm2]	Connector 1 LED
WI1008-M12F8SC1 M12 Con 8p Fem 0° Screw Ø4-8mm cable	Connector Power	M12 8-pin female A-coded - 180° Straight - n/a	CANopen/DeviceNet n/a	n/a	Connector No
WI1008-M12F8SS1 M12 Con 8p Fem 0° Solder assembly	Connector Power	M12 8-pin female A-coded - 180° Straight - n/a	CANopen/DeviceNet n/a	n/a	Connector No
WI1008-M12F8TC1 M12 Con 8p Fem 0° Screw Shield	Connector Power	M12 8-pin female A-coded - 180° Straight - n/a	CANopen/DeviceNet n/a	n/a	Connector No
WI1008-M12F8TS1 M12 Con 8p Fem 0° Solder Shield	Connector Power	M12 8-pin female A-coded - 180° Straight - n/a	CANopen/DeviceNet n/a	n/a	Connector No
WI1008-M12M12SS1 M12 Con 12p Male 0° Solder assembly	Connector Power	M12 12-pin male A-coded - 180° Straight - n/a	CANopen/DeviceNet n/a	n/a	Connector No
WI1008-M12M12TS1 M12 Con 12p Male 0° Solder Shield	Connector Power	M12 12-pin male A-coded - 180° Straight - n/a	CANopen/DeviceNet n/a	n/a	Connector No
WI1008-M12M12VS1 M12 Con 12p Male 90° Solder Shield	Connector Power	M12 12-pin male A-coded - 90° Angled - n/a	CANopen/DeviceNet n/a	n/a	Connector No
WI1008-M12M17SR1 M12 Con 17p Male 0° Metal housing 5.4-8.2mm cable	Connector Power	M12 17-pin male A-coded - 180° Straight - n/a	CANopen/DeviceNet n/a	n/a	Connector No
WI1008-M12M5AC1 M12 Con 5p Male 90° Screw PG7 for cable	Connector Power	M12 5-pin male A-coded - 90° Angled - n/a	CANopen/DeviceNet n/a	n/a	Connector No
WI1008-M12M5AG1 M12 Con 5p Male 90° Spring Ø4-8mm cable	Connector Power	M12 5-pin male A-coded - 90° Angled - n/a	CANopen/DeviceNet n/a	n/a	Connector No
WI1008-M12M5SC1 M12 Con 5p Male 0° Screw PG7 cable	Connector Power	M12 5-pin male A-coded - 180° Straight - n/a	CANopen/DeviceNet n/a	n/a	Connector No
WI1008-M12M5SS1 M12 Con 5p Male 0° Solder assembly	Connector Power	M12 5-pin male A-coded - 180° Straight - n/a	CANopen/DeviceNet n/a	n/a	Connector No
WI1008-M12M5STR4 M12 Con 5-pin male A Code Resistor CAN	Connector Power	M12 5-pin male A-coded - 180° Straight - n/a	CANopen/DeviceNet n/a	n/a	Connector No
WI1008-M12M5TC1 M12 Con 5p Male A-coded Screw Shield	Connector Power	M12 5-pin male A-coded - 180° Straight - n/a	CANopen/DeviceNet n/a	n/a	Connector No
WI1008-M12M5TG1 M12 Con 5p Male 0° Spring Shield	Connector Power	M12 5-pin male A-coded - 180° Straight - n/a	CANopen/DeviceNet n/a	n/a	Connector No
WI1008-M12M5VG1 M12 Con 5p Male 90° Spring Shield	Connector Power	M12 5-pin male A-coded - 90° Angled - n/a	CANopen/DeviceNet n/a	n/a	Connector No
WI1008-M12M8SC1 M12 Con 8p Male 0° Screw Ø4-8mm cable	Connector Power	M12 8-pin male A-coded - 180° Straight - n/a	CANopen/DeviceNet n/a	n/a	Connector No
WI1008-M12M8SS1 M12 Con 8p Male 0° Solder assembly	Connector Power	M12 8-pin male A-coded - 180° Straight - n/a	CANopen/DeviceNet n/a	n/a	Connector No
WI1008-M12M8TC1 M12 Con 8p Male 0° Screw Shield	Connector Power	M12 8-pin male A-coded - 180° Straight - n/a	CANopen/DeviceNet n/a	n/a	Connector No
WI1008-M12M8TS1 M12 Con 8p Male 0° Solder Shield	Connector Power	M12 8-pin male A-coded - 180° Straight - n/a	CANopen/DeviceNet n/a	n/a	Connector No
WI1009-M12M12T05N M12 Shl Cab 5m 12p Male 0° RS422 6P twisted	Connector Power	M12 12-pin male A-coded - 180° Straight Open Ended - n/a	Basic I/O, Com Standard	12 0.061	5 No
WI1009-M12M12T20N M12 Shl Cab 20m 12p Male 0° RS422 6P twisted	Connector Power	M12 12-pin male A-coded - 180° Straight Open Ended - n/a	Basic I/O, Com Standard	12 0.061	20 No
WI1009-M12M17T01N M12 Shl Cable 1m 17p Mal 0° MISxx,Ex41 twisted	Connector Power	M12 17-pin male A-coded - 180° Straight Open Ended - n/a	Basic I/O, Com Standard	17 0.061	1 No
WI1009-M12M17T05N M12 Shl Cable 5m 17p Mal 0° MISxx,Ex41 twisted	Connector Power	M12 17-pin male A-coded - 180° Straight Open Ended - n/a	Basic I/O, Com Standard	17 0.061	5 No
WI1009-M12M17T10R M12 Shl Cable 10m 17p Mal 0° MISxx,Ex41 twisted	Connector Power	M12 17-pin male A-coded - 180° Straight Open Ended - n/a	Basic I/O, Com Robotic - 3D	17 0.061	5 No
WI1009-M12M17T20N M12 Shl Cable 20m 17p Mal 0° MISxx,Ex41 twisted	Connector Power	M12 17-pin male A-coded - 180° Straight Open Ended - n/a	Basic I/O, Com Standard	17 0.061	20 No
WI1009-M12M17TF17T.5 M12 Shl Cable.5m Male17p0°-Female 17p0° twist pair	Connector Power	M12 17-pin male A-coded - 180° Straight M12 17-pin female A-coded - n/a	Basic I/O, Com Standard	17 0.061	0.5 No
WI1009-M12M17TF17T01 M12 Shl Cable 1m 17p Male 0° MISxx,Ex41 twisted	Connector Power	M12 17-pin male A-coded - 180° Straight Open Ended - n/a	Basic I/O, Com Standard	17 0.061	1 No



MAC320-L1HAAC

Int.Servo.AC 320WS3 0.8Nm IP42 Abs

Cable information

Item number	Mount on	Cable con 1 +Con 1 angle	Cable application	Wires no totally	Cable length [m]
Item description		Cable con 2 +Con 2 angle	Cable flexibility	Wire [mm2]	Connector 1 LED
M12 Shl Cable 1m Male17p0°-Female 17p0° twist pair		M12 17-pin female A-coded - n/a	Standard	0.061	No
WI1009-M12M17TF17T02	Connector Power	M12 17-pin male A-coded - 180° Straight	Basic I/O, Com	17	2
M12 Shl Cable 2m Male17p0°-Female 17p0° twist pair		M12 17-pin female A-coded - n/a	Standard	0.061	No
WI1009-M12M17TF17T04	Connector Power	M12 17-pin male A-coded - 180° Straight	Basic I/O, Com	17	4
M12 Shl Cable 4m Male17p0°-Female 17p0° twist pair		M12 17-pin female A-coded - n/a	Standard	0.061	No
WI1009-M12M17V05N	Connector Power	M12 17-pin male A-coded - 90° Angled	Basic I/O, Com	17	5
M12 Shl Cable 5m 17p Mal 90° MISxx,Ex41 twisted		Open Ended - n/a	Standard	0.061	No
WI1009-M12M17V05R	Connector Power	M12 17-pin male A-coded - 90° Angled	Basic I/O, Com		5
M12 Shl Cable 5m 17p Mal 90° MISxx,Ex41 twisted		- n/a	Robotic - 3D		No
WI1009-M12M17V10N	Connector Power	M12 17-pin male A-coded - 90° Angled	Basic I/O, Com	17	10
M12 Shl Cable 10m 17p Mal 90° MISxx,Ex41 twisted		Open Ended - n/a	Standard	0.061	No
WI1009-M12M8Q1.2N	Connector Power	M12 8-pin male A-coded - 90° Angled	Basic I/O, Com	8	1.2
M12 Shl Cable 1.2m 8p Male 90° 4P twisted		Open Ended - n/a	Standard	0.32	No
WI1009-M12M8V05N	Connector Power	M12 8-pin male A-coded - 90° Angled	Basic I/O, Com	8	5
M12 Shl Cable 5m 8 p Male 90° 4P twisted		Open Ended - n/a	Standard	0.32	No
WI1009-M12M8V20N	Connector Power	M12 8-pin male A-coded - 90° Angled	Basic I/O, Com	8	20
M12 Shl Cable 20m 8 p Male 90° 4P twisted		Open Ended - n/a	Standard	0.32	No
WI1010-M08M2T05P	Connector Power	M8 2-pin male A-coded - 180° Straight	STO		5
M8 STO shl cable 3pin 2wire male 5m		Open Ended - n/a	Standard		No
WI1010-M08M4STO	Connector Power	M8 4-pin male A-coded - n/a	STO	4	Connector
M8 STO Disable plug for MIS17/23/34/43		- n/a	n/a	0.2	
WI1010-M08M4T03P	Connector Power	M8 4-pin male A-coded - 180° Straight	STO	4	3
M8 STO 4Pin Male 0° Con Shl Yel 3m 1xcon		Open Ended - n/a	Standard	0.2	No
WI1010-M08M4T05P	Connector Power	M8 4-pin male A-coded - 180° Straight	STO	4	10
M8 STO 4Pin Male 0° Con Shl Yel 5m 1xcon		Open Ended - n/a	Standard	0.2	No
WI1010-M08M4T1.5P	Connector Power	M8 4-pin male A-coded - 180° Straight	STO		1.5
M8 STO 4Pin Male 0° Con Shl Yel 1.5 m 1xcon, PA014		- n/a	Standard		No
WI1010-M08M4T15P	Connector Power	M8 4-pin male A-coded - 180° Straight	STO	4	15
M8 STO 4Pin Male 0° Con. shl. Yel 15m 1xCon		Open Ended - n/a	Standard	0.2	No
WI1010-M08M4T20P	Connector Power	M8 4-pin male A-coded - 180° Straight	STO	4	20
M8 STO 4P Male 0° Con. shl. Yel 20m		Open Ended - n/a	Standard	0.2	No
WI1010-M08M4TF3T.3P	Connector Power	M8 4-pin male A-coded - 180° Straight	STO		0.3
M8 STO shl cable Male 4 pin to Female 3 pin.		M08 3-pin female A-coded - n/a	Standard		No
WI1010-M08M4TM4T10P	Connector Power	M8 4-pin male A-coded - 180° Straight	STO	4	10
M8 STO 4P Male 0°/4P Male 0° shl. Yel10m 2xCon		M08 4-pin male A-coded - n/a	Standard	0.2	No
WI1010-M08M4TM4T20P	Connector Power	M8 4-pin male A-coded - 180° Straight	STO	4	20
M8 STO 4P Male 0°/4P Male 0° shl. Yel20m 2xCon		M08 4-pin male A-coded - n/a	Standard	0.2	No
WI1010-M08M4V05P	Connector Power	M8 4-pin male A-coded - 90° Angled	STO	4	5
M8 STO 4Pin Male 90° Con. shl. Yel 5m 1xCon		Open Ended - n/a	Standard	0.2	No
WI1010-M08M4V10P	Connector Power	M8 4-pin male A-coded - 90° Angled	STO	4	10
M8 STO 4Pin Male 90° Con. shl. Yel 10m 1xCon		Open Ended - n/a	Standard	0.2	No
WI1010-M08M4VF4T01P	Connector Power	M8 4-pin male A-coded - 90° Angled	STO	4	1
M8 STO 4P Male 90°/4P Fem 0° shl. yel 1m 2xCon		M08 4-pin female A-coded - n/a	Standard	0.2	No
WI1010-M08M4VF4T02P	Connector Power	M8 4-pin male A-coded - 90° Angled	STO	4	2
M8 STO 4P Male 90°/4P Fem 0° shl. yel 2m 2xCon		M08 4-pin female A-coded - n/a	Standard	0.2	No
WI1010-M08M4VF4T03P	Connector Power	M8 4-pin male A-coded - 90° Angled	STO	4	3
M8 STO 4P Male 90°/4P Fem 0° shl. yel 3m 2xCon		M08 4-pin female A-coded - n/a	Standard	0.2	No
WI1010-M08M4VM4V10P	Connector Power	M8 4-pin male A-coded - 90° Angled	STO	4	10
M8 STO 4P Male 90°/4P Male 90° shl. Yel 10m 2xCon		M08 4-pin male A-coded - n/a	Standard	0.2	No
WI1010-M08M4VM4V20P	Connector Power	M8 4-pin male A-coded - 90° Angled	STO	4	20
M8 STO 4P Male 90°/4P Male 90° shl. Yel 20m 2xCon		M08 4-pin male A-coded - n/a	Standard	0.2	No
WI1011-M12F8V10T	Connector Power	M12 8-pin female - 90° Angled		8	10
M12 Shl Cable 10m 8 p Female 90° 4P twisted		Open Ended - n/a		0.32	No
WI1011-M12M8V1.2T	Connector Power	M12 8-pin male - 90° Angled		8	1.2
M12 Shl Cable 1.2m 8 p Male 90° 4P twisted		Open Ended - n/a		0.32	No



MAC320-L1HAAC

Int.Servo.AC 320WS3 0.8Nm IP42 Abs

Cable information

Item number	Mount on	Cable con 1 +Con 1 angle	Cable application	Wires no totally	Cable length [m]
Item description		Cable con 2 +Con 2 angle	Cable flexibility	Wire [mm2]	Connector 1 LED
WI1011-M12M8V10T	Connector Power	M12 8-pin male - 90° Angled		8	10
M12 Shl Cable 10m 8 p Male 90° 4P twisted		Open Ended - n/a	Standard	0.32	No
WI1011-M12M8V15T	Connector Power	M12 8-pin male - 90° Angled		8	15
M12 Shl Cable 15m 8 p Male 90° 4P twisted		Open Ended - n/a	Standard	0.32	No
WI1012-M12F8TF8T01T	Connector Power	M12 8-pin female A-coded - 180° Straight		8	1
M12 Shl Cable 1m 8pF0°-8pF0° SMC-Enc twisted/shie		M12 8-pin female A-coded - n/a		0.32	No
WI1012-M12F8TF8T02T	Connector Power	M12 8-pin female A-coded - 180° Straight		8	2
M12 Shl Cable 2m 8pF0°-8pF0° SMC-Enc twisted/shie		M12 8-pin female A-coded - n/a		0.32	No
WI1012-M12F8TF8T05T	Connector Power	M12 8-pin female A-coded - 180° Straight		8	5
M12 Shl Cable 5m 8pF0°-8pF0° SMC-Enc twisted/shie		M12 8-pin female A-coded - n/a		0.32	No
WI1012-M12F8TF8T20T	Connector Power	M12 8-pin female A-coded - 180° Straight		8	20
M12 Shl Cable 20m 8pF0°-8pF0° SMC-Enc twisted/shie		M12 8-pin female A-coded - n/a		0.32	No
WI1012-M12F8TM17T01T	Connector Power	M12 8-pin female A-coded - 180° Straight		8	1
M12 Shl Cable 1m 8pF 0° to 17pM 0° SMCxx twisted/s		M12 17-pin male A-coded - n/a		0.32	No
WI1012-M12F8TM17T05T	Connector Power	M12 8-pin female A-coded - 180° Straight		8	5
M12 Shl Cable 5m 8pF 0° to 17pM 0° SMCxx twisted/s		M12 17-pin male A-coded - n/a		0.32	No
WI1012-M12F8TM17T20T	Connector Power	M12 8-pin female A-coded - 180° Straight		8	20
M12 Shl Cable 20m 8pF 0° to 17pM 0° SMCxx twisted/		M12 17-pin male A-coded - n/a		0.32	No
WI1013-M12M17TF4T.4N	Connector Power	M12 17-pin male A-coded - 180° Straight		4	0.45
M12 17pM, 0.45m M8-4pF Shl for MAB MIS		M08 4-pin female - n/a	Standard	0.13	No
WI1013-M12M17TF4TXAA	Connector Power	M12 17-pin male A-coded - 180° Straight			0.45/2
M12 17pM, 0.45m M8-4pF Shl for MAB + 2m cable MIS		M08 4-pin female - n/a	Standard		No
WI1025-M12F5AF5AM5A	Connector Power	M12 5-pin female A-coded - 90° Angled		5	
M12 T-Con 2x Fem 5 p + 1x Male 5 p		M12 5-pin female A-coded - n/a	Standard	0.32	No
WI1025-M12F5AM5A	Connector Power	M12 5-pin female A-coded - 90° Angled		5	
M12 Cabinet Feed-through F5p-M5p		M12 5-pin male A-coded - n/a	Standard	0.32	No
WI1025-M12F5AM5AF5A	Connector Power	M12 5-pin female A-coded - 90° Angled		5	
M12 T-Con Fem 5p+ Male 5p + Fem 5p NoSh		M12 5-pin male A-coded - n/a	Standard	0.32	No
WI1025-M12F5VM5VF5V	Connector Power	M12 5-pin female A-coded - 90° Angled		5	
M12 Shl Y-Con 1xMale 5p + 2x Fem 5p CAN		M12 5-pin male A-coded CAN - n/a	Standard	0.32	No
WI1025-M12F8AM8A	Connector Power	M12 8-pin female A-coded - 90° Angled		5	
M12 Cabinet Feed-through F8p-M8p		M12 8-pin male A-coded - n/a	Standard	0.32	No
WI1025-M12M5AF5AF8A	Connector Power	M12 5-pin male A-coded - 90° Angled		5	
M12 T-Con Male 5 p + Fem 5 p + 1 Fem 8 p		M12 5-pin male A-coded - n/a	Standard	0.32	No
WI1025-M12M5VM5VF5V	Connector Power	M12 5-pin male A-coded - 90° Angled		5	
M12 Shl Y-Con 2xMale 5p + 1xFem 5p RS485		M12 5-pin male A-coded - n/a	Standard	0.32	No
WI1026-M12F5S02R	Connector Power	M12 5-pin female B-coded Profibus - 180° Straight	Profibus	2	2
M12 Shl Cab 2m 5p Fem 0° B-cod Profibus		Open Ended - n/a	Robotic - 3D	0.2	No
WI1026-M12F5S05R	Connector Power	M12 5-pin female B-coded Profibus - 180° Straight	Profibus	2	5
M12 Shl Cab 5m 5p Fem 0° B-cod Profibus		Open Ended - n/a	Robotic - 3D	0.2	No
WI1026-M12F5S10R	Connector Power	M12 5-pin female B-coded Profibus - 180° Straight	Profibus	2	10
M12 Shl Cab 10m 5p Fem 0° B-cod Profibus		Open Ended - n/a	Robotic - 3D	0.2	No
WI1026-M12F5S15R	Connector Power	M12 5-pin female B-coded Profibus - 180° Straight	Profibus	2	15
M12 Shl Cab 15m 5p Fem 0° B-cod Profibus		Open Ended - n/a	Robotic - 3D	0.2	No
WI1026-M12M5S02R	Connector Power	M12 5-pin male B-coded Profibus - 180° Straight	Profibus	2	2
M12 Shl Cab 2m 5p Mal 0° B-cod Profibus		Open Ended - n/a	Robotic - 3D	0.2	No
WI1026-M12M5S05R	Connector Power	M12 5-pin male B-coded Profibus - 180° Straight	Profibus	2	5
M12 Shl Cab 5m 5p Mal 0° B-cod Profibus		Open Ended - n/a	Robotic - 3D	0.2	No
WI1026-M12M5S10R	Connector Power	M12 5-pin male B-coded Profibus - 180° Straight	Profibus	2	10
M12 Shl Cab 10m 5p Mal 0° B-cod Profibus		Open Ended - n/a	Robotic - 3D	0.2	No
WI1026-M12M5S15R	Connector Power	M12 5-pin male B-coded Profibus - 180° Straight	Profibus	2	15
M12 Shl Cab 15m 5p Mal 0° B-cod Profibus		Open Ended - n/a	Robotic - 3D	0.2	No
WI1028-M12F5SS1	Connector Power	M12 5-pin female B-coded profibus - 180° Straight	Profibus	n/a	Connector



MAC320-L1HAAC

Int.Servo.AC 320WS3 0.8Nm IP42 Abs

Cable information

Item number	Mount on	Cable con 1 +Con 1 angle	Cable application	Wires no totally	Cable length [m]
Item description		Cable con 2 +Con 2 angle	Cable flexibility	Wire [mm2]	Connector 1 LED
M12 Con 5p Fem 0° B-cod Profibus Solder	assembly	- n/a	n/a	n/a	No
WI1028-M12F5TG1	Connector Power	M12 5-pin female B-coded profibus - 180° Straight	Profibus	n/a	Connector
M12 Con 5p Fem 0° B-cod Profibus Spring		- n/a	n/a	n/a	No
WI1028-M12F5VG1	Connector Power	M12 5-pin female B-coded profibus - 90° Angled	Profibus	n/a	Connector
M12 Con 5p Fem 90° B-cod Profibus Spring		- n/a	n/a	n/a	No
WI1028-M12M4STR3	Connector Power	M12 4-pin male B-coded profibus - 180° Straight	Profibus	n/a	Connector
M12 Term. Resistor 4p Mal B-cod Profibus		- n/a	n/a	n/a	No
WI1028-M12M5TC1	Connector Power	M12 5-pin male B-coded profibus - 180° Straight	Profibus	n/a	Connector
M12 Con 5p Mal 0° B Profibus Screw Shl		- n/a	n/a	n/a	No
WI1028-M12M5TG1	Connector Power	M12 5-pin male B-coded profibus - 180° Straight	Profibus	n/a	Connector
M12 Con 5p Mal 0° B Profibus Spring Shl		- n/a	n/a	n/a	No
WI1028-M12M5VG1	Connector Power	M12 5-pin male B-coded profibus - 90° Angled	Profibus	n/a	Connector
M12 Con 5p Mal 90° B Profibus SpringShl		- n/a	n/a	n/a	No
WI1046-M12M4S.3NRJ45	Connector Power	M12 4-pin male D-coded Ethernet - 180° Straight	Ethernet	4	0.3
M12 Cab D-code Ethernet M0°-RJ45, 0.3m, Ø5		RJ45 male - n/a	Standard	0.13	No
WI1046-M12M4S01NRJ45	Connector Power	M12 4-pin male D-coded Ethernet - 180° Straight	Ethernet	4	1
M12 Cab D-code Ethernet M0°-RJ45, 1.0m, Ø5		RJ45 male - n/a	Standard	0.13	No
WI1046-M12M4S05R	Connector Power	M12 4-pin male D-coded Ethernet - 180° Straight	Ethernet	4	5
M12 Cab D-code Ethernet M0°, SFTP, 5m Ø7		Open Ended - n/a	Cable chains - 2D	0.13	No
WI1046-M12M4S10NRJ45	Connector Power	M12 4-pin male D-coded Ethernet - 180° Straight	Ethernet	4	10
M12 Cab D-code Ethernet M0°-RJ45, 10m, Ø5		RJ45 male - n/a	Standard	0.13	No
WI1046-M12M4S15NRJ45	Connector Power	M12 4-pin male D-coded Ethernet - 180° Straight	Ethernet	4	15
M12 Cab D-code Ethernet M0°-RJ45, 15m, RJ45 Ø5		RJ45 male - n/a	Standard	0.13	No
WI1046-M12M4S15R	Connector Power	M12 4-pin male D-coded Ethernet - 180° Straight	Ethernet	4	15
M12 Cab D-code Ethernet M0°, 15m Ø7		Open Ended - n/a	Cable chains - 2D	0.13	No
WI1046-M12M4T.3TRJ45	Connector Power	M12 4-pin male D-coded Ethernet - 180° Straight	Ethernet	4	0.3
M12 Cab D-code Ethernet M0°-RJ45, 0.3m, RJ45 Ø5		RJ45 male - n/a	Standard	0.13	No
WI1046-M12M4T01TRJ45	Connector Power	M12 4-pin male D-coded Ethernet - 180° Straight	Ethernet	4	1
M12 Cab D-code Ethernet M0°-RJ45, 1m, RJ45 Ø5		RJ45 male - n/a	Standard	0.13	No
WI1046-M12M4T02NRJ45	Connector Power	M12 4-pin male D-coded Ethernet - 180° Straight	Ethernet	4	2
M12 Cab D-code Ethernet M0°-RJ45, 2m, Ø5		RJ45 male - n/a	Standard	0.13	No
WI1046-M12M4T05TRJ45	Connector Power	M12 4-pin male D-coded Ethernet - 180° Straight	Ethernet	4	5
M12 Cab D-code Ethernet M0°-RJ45, 5m, Ø5		RJ45 male - n/a	Standard	0.13	No
WI1046-M12M4T10TRJ45	Connector Power	M12 4-pin male D-coded Ethernet - 180° Straight	Ethernet	4	10
M12 Cab D-code Ethernet M0°-RJ45, 10m, Ø5		RJ45 male - n/a	Standard	0.13	No
WI1046-M12M4T15TRJ45	Connector Power	M12 4-pin male D-coded Ethernet - 180° Straight	Ethernet	4	15
M12 Cab D-code Ethernet M0°-RJ45, SFTP, 15m, Ø5		RJ45 male - n/a	Standard	0.13	No
WI1046-M12M4T20TRJ45	Connector Power	M12 4-pin male D-coded Ethernet - 180° Straight	Ethernet	4	20
M12 Cab D-code Ethernet M0°-RJ45, 20m, Ø5		RJ45 male - n/a	Standard	0.13	No
WI1046-M12M4TM4T.3R	Connector Power	M12 4-pin male D-coded Ethernet - 180° Straight	Ethernet	4	0.3
M12 Cab D-code Ethernet M0°-M0°, 0.3m, Ø6		M12 4-pin male D-coded Ethernet - n/a	Robotic - 3D	0.14	No
WI1046-M12M4TM4T.3T	Connector Power	M12 4-pin male D-coded Ethernet - 180° Straight	Ethernet	4	0.3
M12 Cab D-code Ethernet M0°-M0°, 0.3m, Ø6		M12 4-pin male D-coded Ethernet - n/a	Standard	0.13	No
WI1046-M12M4TM4T01R	Connector Power	M12 4-pin male D-coded Ethernet - 180° Straight	Ethernet	4	1
M12 Cab D-code Ethernet M0°-M0°, 1m, Ø7		M12 4-pin male D-coded Ethernet - n/a	Robotic - 3D	0.14	No
WI1046-M12M4TM4T01T	Connector Power	M12 4-pin male D-coded Ethernet - 180° Straight	Ethernet	4	1
M12 Cab D-code Ethernet M0°-M0°, 1m, Ø6		M12 4-pin male D-coded Ethernet - n/a	Standard	0.13	No
WI1046-M12M4TM4T02R	Connector Power	M12 4-pin male D-coded Ethernet - 180° Straight	Ethernet	4	2
M12 Cab D-code Ethernet M0°-M0°, 2.0m, Ø7		M12 4-pin male D-coded Ethernet - n/a	Robotic - 3D	0.14	No



MAC320-L1HAAC

Int.Servo.AC 320WS3 0.8Nm IP42 Abs

Cable information

Item number	Mount on	Cable con 1 +Con 1 angle	Cable application	Wires no totally	Cable length [m]
Item description		Cable con 2 +Con 2 angle	Cable flexibility	Wire [mm2]	Connector 1 LED
WI1046-M12M4TM4T02T	Connector Power	M12 4-pin male D-coded Ethernet - 180° Straight	Ethernet	4	2
M12 Cab D-code Ethernet M0°-M0°, 2,0m, Ø6		M12 4-pin male D-coded Ethernet - n/a	Standard	0.13	No
WI1046-M12M4TM4T05R	Connector Power	M12 4-pin male D-coded Ethernet - 180° Straight	Ethernet	4	5
M12 Cab D-code Ethernet M0°-M0°, 5m, Ø7		M12 4-pin male D-coded Ethernet - n/a	Robotic - 3D	0.14	No
WI1046-M12M4TM4T05T	Connector Power	M12 4-pin male D-coded Ethernet - 180° Straight	Ethernet	4	5
M12 Cab D-code Ethernet M0°-M0°, 5m, Ø6		M12 4-pin male D-coded Ethernet - n/a	Standard	0.13	No
WI1046-M12M4TM4T10R	Connector Power	M12 4-pin male D-coded Ethernet - 180° Straight	Ethernet	4	10
M12 Cab D-code Ethernet M0°-M0°, 10m, Ø7		M12 4-pin male D-coded Ethernet - n/a	Robotic - 3D	0.14	No
WI1046-M12M4TM4T10T	Connector Power	M12 4-pin male D-coded Ethernet - 180° Straight	Ethernet	4	10
M12 Cab D-code Ethernet M0°-M0°, 10m, Ø6		M12 4-pin male D-coded Ethernet - n/a	Standard	0.13	No
WI1046-M12M4TM4T15R	Connector Power	M12 4-pin male D-coded Ethernet - 180° Straight	Ethernet	4	15
M12 Cab D-code Ethernet M0°-M0°, 15m, Ø7		M12 4-pin male D-coded Ethernet - n/a	Robotic - 3D	0.14	No
WI1046-M12M4TM4T20R	Connector Power	M12 4-pin male D-coded Ethernet - 180° Straight	Ethernet	4	20
M12 Cab D-code Ethernet M0°-M0°, 20m, Ø7		M12 4-pin male D-coded Ethernet - n/a	Robotic - 3D	0.14	No
WI1046-M12M4TM4T20T	Connector Power	M12 4-pin male D-coded Ethernet - 180° Straight	Ethernet	4	20
M12 Cab D-code Ethernet M0°-M0°, 20m, Ø6		M12 4-pin male D-coded Ethernet - n/a	Standard	0.13	No
WI1046-M12M4V02TRJ45	Connector Power	M12 4-pin male D-coded Ethernet - 90° Angled	Ethernet	4	2
M12 Cab D-code Ethernet M90°-RJ45, 2m, Ø5		RJ45 male - n/a	Standard	0.13	No
WI1046-M12M4V05TRJ45	Connector Power	M12 4-pin male D-coded Ethernet - 90° Angled	Ethernet	4	5
M12 Cab D-code Ethernet M90°-RJ45, 5m, Ø6		RJ45 male - n/a	Standard	0.13	No
WI1046-M12M4VM4T.6N	Connector Power	M12 4-pin male D-coded Ethernet - 90° Angled	Ethernet	4	0.6
M12 Cab D-code Ethernet M90°-M0°, 0,6m, Ø6		M12 4-pin male D-coded Ethernet - n/a	Standard	0.13	No
WI1046-M12M4VM4V.6N	Connector Power	M12 4-pin male D-coded Ethernet - 90° Angled	Ethernet	4	0.6
M12 Cab D-code Ethernet M90°-M90°, 0,6m, Ø6		M12 4-pin male D-coded Ethernet - n/a	Standard	0.13	No
WI1048-M12F4TTR1	Connector Power	M12 4-pin female D-coded Ethernet - 180° Straight	Ethernet		Connector
M12 Con 4 p female D Code Ethernet PressLock		- n/a	n/a		No
WI1048-M12M4TTR1	Connector Power	M12 4-pin male D-coded Ethernet - 180° Straight	Ethernet		Connector
M12 Con 4 p Male D Code Ethernet PressLock		- n/a	n/a		No
WI1060-M12M5T05N	Connector Power	M12 5-pin male - 180° Straight		5	5
M12 K Code 5pin 4+1 EA female shielded, IP67 5m		Open Ended - n/a			No
WI1061-M12F5T10N	Connector Power	M12 5-pin female L-coded - 180° Straight		5	10
M12 L Code 5pin female 10m		Open Ended - n/a			No
WI1061-M12F5T20N	Connector Power	M12 5-pin female L-coded - 180° Straight		5	20
M12 L Code 5pin female 20m free end IP67		Open Ended - n/a			No
WI1061-M12F5TM16T01S	Connector Power	M12 5-pin female L-coded - 180° Straight		5	1
M12 L Code 5pin female to M16 7pin male, 1m 2D		M16 7pin male - n/a			No
WI1061-M12F5TM16T05N	Connector Power	M12 5-pin female L-coded - 180° Straight		5	5
M12 L Code 5pin female to M16 7pin male, 5m		M16 7pin male - n/a			No
WI1061-M12F5TM16T05S	Connector Power	M12 5-pin female L-coded - 180° Straight		5	5
M12 L Code 5pin female to M16 7pin male, 5m 2D		M16 7pin male - n/a			No
WI1061-M12F5TM16T20S	Connector Power	M12 5-pin female L-coded - 180° Straight		5	20
M12 L Code 5pin female to M16 7pin male, 20m 2D		M16 7pin male - n/a			No
WI1061-M12M5TF5T01N	Connector Power	M12 5-pin male L-coded - 180° Straight		5	1
M12 L Code 5pin male to female shielded, IP67		M12 5-pin female A-coded - n/a			No
WI1061-M12M5TF5T01S	Connector Power	M12 5-pin male L-coded - 180° Straight		5	1
M12 L Code 5pin male to female shielded, IP67 2D		M12 5-pin female A-coded - n/a			No
WI1061-M12M5TF5T05N	Connector Power	M12 5-pin male L-coded - 180° Straight		5	5
M12 L Code 5pin male to female shielded, IP67		M12 5-pin female A-coded - n/a			No
WI1061-M12M5TF5T15N	Connector Power	M12 5-pin male L-coded - 180° Straight		5	5
M12 L Code 5pin male to female 15m shielded, IP67		M12 5-pin female A-coded - n/a			No
WI1000-M12F12S05N	PDO Connector type	M12 12-pin female A-coded - 180° Straight	Power/Motor/com	12	5
M12 Cable 5m 12 pin Fem 0° RS422		Open Ended - n/a	Standard	0.32	No
WI1000-M12F12V05N	PDO Connector type	M12 12-pin female A-coded - 90° Angled	Power/Motor/com	12	5



MAC320-L1HAAC

Int.Servo.AC 320WS3 0.8Nm IP42 Abs

Cable information

Item number	Mount on	Cable con 1 +Con 1 angle	Cable application	Wires no totally	Cable length [m]
Item description		Cable con 2 +Con 2 angle	Cable flexibility	Wire [mm2]	Connector 1 LED
M12 Shl Cable 5m 12 pin Fem 90° RS422		Open Ended - n/a	Standard	0.32	No
WI1000-M12F5T02N	PDO Connector type	M12 5-pin female A-coded - 180° Straight	Power/Motor/com	5	2
M12 Shl Cable 2m 5 pin Fem 0°, Power		Open Ended - n/a	Standard	0.32	No
WI1000-M12F5T05N	PDO Connector type	M12 5-pin female A-coded - 180° Straight	Power/Motor/com	5	5
M12 Shl Cable 5m 5 pin Fem 0°, Power		Open Ended - n/a	Standard	0.32	No
WI1000-M12F5T1.2N	PDO Connector type	M12 5-pin female A-coded - 180° Straight	Power/Motor/com	5	1.2
M12 Shl Cable 1.2m 5 pin Fem 0°, Power		Open Ended - n/a	Standard	0.32	No
WI1000-M12F5T10N	PDO Connector type	M12 5-pin female A-coded - 180° Straight	Power/Motor/com	5	10
M12 Shl Cable 10m 5 pin Fem 0°, Power		Open Ended - n/a	Standard	0.32	No
WI1000-M12F5T10R	PDO Connector type	M12 5-pin female A-coded - 180° Straight	Power/Motor/com	5	10
M12 Shl Cable 10m 5 pin Fem 0°, Power, High-flex		Open Ended - n/a	Cable Chains - 2D	0.34	No
WI1000-M12F5T20N	PDO Connector type	M12 5-pin female A-coded - 180° Straight	Power/Motor/com	5	20
M12 Shl Cable 20m 5 pin Fem 0°, Power		Open Ended - n/a	Standard	0.32	No
WI1000-M12F5TLT0185	PDO Connector type	M12 5-pin female A-coded - 180° Straight	Power/Motor/com	5	3
M12 shl Cable 3m 5 pin female 0°,PW SPEC		- n/a	Standard	0.32	No
WI1000-M12F5TM5T1.5N	PDO Connector type	M12 5-pin female A-coded - 180° Straight	Power/Motor/com		1.5
M12 A Code Shl Cable 1.5m 5 pin Female/Male 0° Pow		- n/a			No
WI1000-M12F5V05N	PDO Connector type	M12 5-pin female A-coded - 90° Angled	Power/Motor/com	5	5
M12 Shl Cable 5m 5 pin Fem 90°, Power		Open Ended - n/a	Standard	0.32	No
WI1000-M12F5V05R	PDO Connector type	M12 5-pin female A-coded - 90° Angled	Power/Motor/com		5
M12 Shl Cable 5m 5 pin Fem 90°, Power, 3D		- n/a			No
WI1000-M12F5V10N	PDO Connector type	M12 5-pin female A-coded - 90° Angled	Power/Motor/com	5	10
M12 Shl Cable 10 m 5 pin Fem 90°, Power		Open Ended - n/a	Standard	0.32	No
WI1000-M12F5V20N	PDO Connector type	M12 5-pin female A-coded - 90° Angled	Power/Motor/com	5	20
M12 Shl Cable 20m 5 pin Fem 90°, Power		Open Ended - n/a	Standard	0.32	No
WI1000-M12F5W05N	PDO Connector type	M12 5-pin female A-coded - 90° Angled	Power/Motor/com	5	5
M12 Shl Cable 5m LED 5p Fem 90°, Power <50V		Open Ended - n/a	Standard	0.32	LED
WI1000-M12F5W10N	PDO Connector type	M12 5-pin female A-coded - 90° Angled	Power/Motor/com	5	10
M12 Shl Cable 10m LED 5 p Fem 90°, Power <50V		Open Ended - n/a	Standard	0.32	LED
WI1000-M12F5W15N	PDO Connector type	M12 5-pin female A-coded - 90° Angled	Power/Motor/com	5	15
M12 Shl Cable 15m LED 5 p Fem 90°, Power <50V		Open Ended - n/a	Standard	0.32	LED
WI1000-M12F5W20N	PDO Connector type	M12 5-pin female A-coded - 90° Angled	Power/Motor/com	5	20
M12 Shl Cable 20m LED 5 p Fem 90°, Power <50V		Open Ended - n/a	Standard	0.32	LED
WI1000-M12F5WF5W20N	PDO Connector type	M12 5-pin female A-coded - 90° Angled	Power/Motor/com	5	20
M12 shl cab 20m LED 5 pin female 90',Pow <50V		M12 5-pin female A-coded - n/a	Standard	0.32	LED
WI1000-M12F8T05N	PDO Connector type	M12 8-pin female A-coded - 180° Straight	Power/Motor/com	8	5
M12 Shl Cable 5m 8 p Fem 0°, Basic IO		Open Ended - n/a	Standard	0.32	No
WI1000-M12F8T20N	PDO Connector type	M12 8-pin female A-coded - 180° Straight	Power/Motor/com	8	20
M12 Shl Cable 20m 8 p Fem 0°, Basic IO		Open Ended - n/a	Standard	0.32	No
WI1000-M12F8V05N	PDO Connector type	M12 8-pin female A-coded - 90° Angled	Power/Motor/com	8	5
M12 Shl Cable 5m 8 p Fem 90°, Basic IO		Open Ended - n/a	Standard	0.32	No
WI1000-M12F8V20N	PDO Connector type	M12 8-pin female A-coded - 90° Angled	Power/Motor/com	8	20
M12 Shl Cable 20m 8 p Fem 90°, Basic IO		Open Ended - n/a	Standard	0.32	No
WI1000-M12M4TF4T01N	PDO Connector type	M12 4-pin male A-coded - 180° Straight	Power/Motor/com	4	1
M12 cable 1m Male4p 0° Fem4pin 0° std cable		M12 4-pin female A-coded - n/a	Standard	0.32	No
WI1000-M12M4TF4T02N	PDO Connector type	M12 4-pin male A-coded - 180° Straight	Power/Motor/com	4	2
M12 cable 2m Male4p 0° Fem4pin 0° std cable		M12 4-pin female A-coded - n/a	Standard	0.32	No
WI1000-M12M4TF4T03N	PDO Connector type	M12 4-pin male A-coded - 180° Straight	Power/Motor/com	4	3
M12 cable 3m Male4p 0° Fem4pin 0° std cable		M12 4-pin female A-coded - n/a	Standard	0.32	No
WI1000-M12M5A05N	PDO Connector type	M12 5-pin male A-coded - 90° Angled	Power/Motor/com	5	5
M12 cable 5m, 5 pin male 90°, COM2/ B4		Open Ended - n/a	Standard	0.32	No
WI1000-M12M5T05N	PDO Connector type	M12 5-pin male A-coded - 180° Straight	Power/Motor/com	5	5
M12 Shl Cable 5m 5 p Male 0°, COM		Open Ended - n/a	Standard	0.32	No
WI1000-M12M5T20N	PDO Connector type	M12 5-pin male A-coded - 180° Straight	Power/Motor/com	5	20
M12 Shl Cable 20m 5 p Male 0°, COM		Open Ended - n/a	Standard	0.32	No



MAC320-L1HAAC

Int.Servo.AC 320WS3 0.8Nm IP42 Abs

Cable information

Item number	Mount on	Cable con 1 +Con 1 angle	Cable application	Wires no totally	Cable length [m]
Item description		Cable con 2 +Con 2 angle	Cable flexibility	Wire [mm2]	Connector 1 LED
WI1000-M12M5TF5T.5N	PDO Connector type	M12 5-pin male A-coded - 180° Straight	Power/Motor/com	5	0.5
M12 Shl Cable .5m 5p Male 0° to 5p Fem 0		M12 5-pin female A-coded - n/a	Standard	0.32	No
WI1000-M12M5TF5T01N	PDO Connector type	M12 5-pin male A-coded - 180° Straight	Power/Motor/com	5	1
M12 Shl Cable 1m 5p Male 0° to 5p Fem 0°		M12 5-pin female A-coded - n/a	Standard	0.32	No
WI1000-M12M5TF5T02N	PDO Connector type	M12 5-pin male A-coded - 180° Straight	Power/Motor/com	5	2
M12 Shl Cable 2m 5p Male 0° to 5p Fem 0°		M12 5-pin female A-coded - n/a	Standard	0.32	No
WI1000-M12M5TF5T02T	PDO Connector type	M12 5-pin male A-coded - 180° Straight	Power/Motor/com	5	2
M12 Cable 2m 5pM 0° to 5pF 0° twisted, power c		M12 5-pin female A-coded - n/a	Standard	0.32	No
WI1000-M12M5TF5T03N	PDO Connector type	M12 5-pin male A-coded - 180° Straight	Power/Motor/com	5	3
M12 Shl Cable 3m 5p Male 0° to 5p Fem 0°		M12 5-pin female A-coded - n/a	Standard	0.32	No
WI1000-M12M5V05N	PDO Connector type	M12 5-pin male A-coded - 90° Angled	Power/Motor/com	5	5
M12 Shl Cable 5m 5 p Male 90°, COM		Open Ended - n/a	Standard	0.32	No
WI1000-M12M5V20N	PDO Connector type	M12 5-pin male A-coded - 90° Angled	Power/Motor/com	5	20
M12 Shl Cable 20m 5 p Male 90°, COM		Open Ended - n/a	Standard	0.32	No
WI1000-M12M8T02N	PDO Connector type	M12 8-pin male A-coded - 180° Straight	Power/Motor/com	8	2
M12 Shl Cable 2m 8 p Male 0° COM1/Ext IO		Open Ended - n/a	Standard	0.32	No
WI1000-M12M8T05N	PDO Connector type	M12 8-pin male A-coded - 180° Straight	Power/Motor/com	8	5
M12 Shl Cable 5m 8 p Male 0° COM1/Ext IO		Open Ended - n/a	Standard	0.32	No
WI1000-M12M8T20N	PDO Connector type	M12 8-pin male A-coded - 180° Straight	Power/Motor/com	8	20
M12 Shl Cable 20m 8 p Male 0° COM1/ExtIO		Open Ended - n/a	Standard	0.32	No
WI1000-M12M8T20R	PDO Connector type	M12 8-pin male A-coded - 180° Straight	Power/Motor/com		20
M12 Shl Cable 20m 8 p Male 0° 2D cable chain		- n/a			No
WI1000-M12M8TF4LT186	PDO Connector type	M12 8-pin male A-coded - 180° Straight	Power/Motor/com	8	5
M12 shl cable5m, M12 M8, M8 F4 0° IO		M12 4-pin female A-coded - n/a		0.32	No
WI1000-M12M8TLT0184	PDO Connector type	M12 8-pin male A-coded - 180° Straight	Power/Motor/com	8	5
M12 shl cable5m, 8 pin male 0° IO SPEC		M12 4-pin female A-coded - n/a		0.32	No
WI1000-M12M8V05N	PDO Connector type	M12 8-pin male A-coded - 90° Angled	Power/Motor/com	8	5
M12 Shl Cable 5m 8 p Mal 90° COM1/ExtIO		Open Ended - n/a	Standard	0.2	No
WI1000-M12M8V20N	PDO Connector type	M12 8-pin male A-coded - 90° Angled	Power/Motor/com	8	20
M12 Shl Cable 20m 8 p Mal 90° COM1/ExtIO		Open Ended - n/a	Standard	0.2	No
WI1000-M8F2T05N	PDO Connector type	M8 2-pin female A-coded - 180° Straight	Power/Motor/com		5
M8 Cable 5m 2pin Fem 0° shield		Open Ended - n/a	Standard		No
WI1000-M8F4A03N005	PDO Connector type	M8 4-pin female A-coded - 90° Angled	Power/Motor/com		3
M8 Cable 3m 4 pin Fem 90° with Molex		Molex 2-pin - n/a	Standard		No
WI1000-M8F4A05N005	PDO Connector type	M8 4-pin female A-coded - 90° Angled	Power/Motor/com		5
M8 Cable 5m 4 pin Fem 90° with Molex		Molex 2-pin - n/a	Standard		No
WI1000-M8F4A10N005	PDO Connector type	M8 4-pin female A-coded - 90° Angled	Power/Motor/com		10
M8 Cable 10m 4 pin Fem 90° with Molex		Molex 2-pin - n/a	Standard		No
WI1000-M8F4A10R	PDO Connector type	M8 4-pin female A-coded - 90° Angled	Power/Motor/com		10
M8 Cable 10m 4 pin Fem 90°, High-flex PUR		Open Ended - n/a	Standard		No
WI1000-M8F4B20N	PDO Connector type	M8 4-pin female A-coded - 180° Straight	Power/Motor/com		10
M8 Cable 20m 4 pin Fem 0° Not shielded		Open Ended - n/a	Standard		No
WI1000-M8M3S05R	PDO Connector type	M8 3-pin male A-coded - 180° Straight	Power/Motor/com		5
M8 Cable 5m 3 pin Male 0°		Open Ended - n/a	Standard		No
WI1000-M8M3S1.5R	PDO Connector type	M8 3-pin male A-coded - 180° Straight	Power/Motor/com		1.5
M8 Cable 1.5m 3 pin Male 0°		Open Ended - n/a	Standard		No
WI1004-M12M5TM5T05N	PDO Connector type	M12 5-pin male - 180° Straight			5
M12 Cab 5m, M5p- M5p, RS232. Std cable		M12 5-pin male - n/a			No
WI1005-M12F5TF5T03P	PDO Connector type	M12 5-pin female A-coded - 180° Straight	Communication		3
M12 Cab 3m, 5p Fem - 5p Fem twistedPair		M12 5-pin female A-coded - n/a		0.32	No
WI1005-M12F5TM5T2.0N	PDO Connector type	M12 5-pin female A-coded - 180° Straight	Communication		2
M12 cable 2m, 5 pin female - 5pin male		M12 5-pin male A-coded - n/a	Standard	0.32	No
WI1005-M12M17SAA01	PDO Connector type	M12 17-pin male A-coded - 180° Straight	Communication	n/a	Connector
M12 17-pin male Axis 1 Without wire		n/a - n/a	n/a	n/a	No
WI1005-M12M17SAA01W	PDO Connector type	M12 17-pin male A-coded - 180° Straight	Communication	n/a	Connector



MAC320-L1HAAC

Int.Servo.AC 320WS3 0.8Nm IP42 Abs

Cable information

Item number	Mount on	Cable con 1 +Con 1 angle	Cable application	Wires no totally	Cable length [m]
Item description		Cable con 2 +Con 2 angle	Cable flexibility	Wire [mm2]	Connector 1 LED
M12 17-pin male Axis 1, with wire 1,2m		n/a - n/a		n/a	No
WI1005-M12M17SAA02	PDO Connector type	M12 17-pin male A-coded - 180° Straight	Communication	n/a	Connector
M12 17-pin male Axis 2 Without wire		n/a - n/a	n/a	n/a	No
WI1005-M12M17SAA03	PDO Connector type	M12 17-pin male A-coded - 180° Straight	Communication	n/a	Connector
M12 17-pin male Axis 3 Without wire		n/a - n/a	n/a	n/a	No
WI1005-M12M17SAA04	PDO Connector type	M12 17-pin male A-coded - 180° Straight	Communication	n/a	Connector
M12 17-pin male Axis 4 Without wire		n/a - n/a	n/a	n/a	No
WI1005-M12M17SAA05	PDO Connector type	M12 17-pin male A-coded - 180° Straight	Communication	n/a	Connector
M12 17-pin male Axis 5 Without wire		n/a - n/a	n/a	n/a	No
WI1005-M12M17SAA06	PDO Connector type	M12 17-pin male A-coded - 180° Straight	Communication	n/a	Connector
M12 17-pin male Axis 6 Without wire		n/a - n/a	n/a	n/a	No
WI1005-M12M17SAA06W	PDO Connector type	M12 17-pin male A-coded - 180° Straight	Communication	n/a	Connector
M12 17-pin male Axis 6 with wire 1,2m		n/a - n/a		n/a	No
WI1005-M12M17SAA07	PDO Connector type	M12 17-pin male A-coded - 180° Straight	Communication	n/a	Connector
M12 17-pin male Axis 7 Without wire		n/a - n/a	n/a	n/a	No
WI1005-M12M17SAA08	PDO Connector type	M12 17-pin male A-coded - 180° Straight	Communication	n/a	Connector
M12 17-pin male Axis 8 Without wire		n/a - n/a	n/a	n/a	No
WI1005-M12M17SAA09	PDO Connector type	M12 17-pin male A-coded - 180° Straight	Communication	n/a	Connector
M12 17-pin male Axis 9 Without wire		n/a - n/a	n/a	n/a	No
WI1005-M12M17SAA10	PDO Connector type	M12 17-pin male A-coded - 180° Straight	Communication	n/a	Connector
M12 17-pin male Axis 10 Without wire		n/a - n/a	n/a	n/a	No
WI1005-M12M5STR6	PDO Connector type	M12 5-pin male A-coded - 180° Straight	Communication	n/a	Connector
M12 5-pin male A Code Resistor RS485		n/a - n/a	n/a	n/a	No
WI1005-M12M5TF5T.2N	PDO Connector type	M12 5-pin male A-coded - 180° Straight	Communication		0.2
M12 Cab 0.2m, 5p Mal - 5p Fem, RS485 .Std cable		M12 5-pin male A-coded - n/a	Standard	0.32	No
WI1005-M12M5TM5T01N	PDO Connector type	M12 5-pin male A-coded - 180° Straight	Communication		1
M12 Cab 1m, 5p Mal - 5p Mal, RS485. Std cable		M12 5-pin male A-coded - n/a	Standard	0.32	No
WI1005-M12M8QM5V.3N	PDO Connector type	M12 8-pin male A-coded - 90° Angled	Communication		0.3
M12 Shl Cab 0.3m 8p Mal 5p Mal 90° RS485 twisted		M12 5-pin male A-coded - n/a	Standard	0.32	No
WI1005-M12M8S10N	PDO Connector type	M12 8-pin male A-coded - 180° Straight	Communication	8	10
M12 Shl Cable 10m, 8 p Male MAC00-B41 twisted		Open Ended - n/a	Standard	0.32	No
WI1005-M12M8STR5	PDO Connector type	M12 8-pin male A-coded - 180° Straight	Communication	n/a	Connector
M12 8-pin male A Code Resistor RS485		n/a - n/a	n/a	0.32	No
WI1005-M12M8TF8T01N	PDO Connector type	M12 8-pin male A-coded - 180° Straight	Communication	8	1
M12 Shl Cab 1m 8p Male 0° to 8p Female 0° 2x4pair		M12 8-pin female A-coded - n/a	Standard	0.32	No
WI1005-M12M8TF8T20N	PDO Connector type	M12 8-pin male A-coded - 180° Straight	Communication	8	20
M12 Shl Cab 20m 8p Male 8p Female 0° 2x4p twisted		M12 8-pin female A-coded - n/a		0.32	No
WI1005-M12M8TM5T.3N	PDO Connector type	M12 8-pin male A-coded - 180° Straight	Communication	5	0.3
M12 Shl Cab 0,3 m 8p Male 5p Male 0° RS485 twisted		M12 5-pin male A-coded - n/a	Standard	0.32	No
WI1005-M12M8TM5T.5N	PDO Connector type	M12 8-pin male A-coded - 180° Straight	Communication	5	0.5
M12 Shl Cab 0,5 m 8p Male 5p Male 0° RS485 twisted		M12 5-pin male A-coded - n/a	Standard	0.32	No
WI1005-M12M8TM5T05N	PDO Connector type	M12 8-pin male A-coded - 180° Straight	Communication	5	5
M12 Shl Cab 5m 8p Male 5p Male 0° RS485 twisted		M12 5-pin male A-coded - n/a	Standard	0.32	No
WI1005-M12M8VM5V.5N	PDO Connector type	M12 8-pin male A-coded - 90° Angled	Communication	5	0,5
M12 Shl Cab 0.5m 8pMale 5pMale 90° RS485 twisted		M12 5-pin male A-coded - n/a	Standard	0.32	No
WI1005-M12M8VM5V03N	PDO Connector type	M12 8-pin male A-coded - 90° Angled	Communication	5	3
M12 Shl Cab3m 8p Male 5p Male 90° RS485 twisted		M12 5-pin male A-coded - n/a	Standard	0.32	No
WI1005-M12M8VM5V10N	PDO Connector type	M12 8-pin male A-coded - 90° Angled	Communication	5	10
M12 Shl Cab10m 8p Male 5p Male 90° RS485 twisted		M12 5-pin male A-coded - n/a	Standard	0.32	No
WI1005-M12M8VM5V20N	PDO Connector type	M12 8-pin male A-coded - 90° Angled	Communication	5	20
M12 Shl Cab20m 8p Male 5p Male 90° RS485 twisted		M12 5-pin male A-coded - n/a	Standard	0.32	No
WI1006-M12F5S02.5R	PDO Connector type	M12 5-pin female A-coded CAN - 180° Straight	CANopen/DeviceNet 4		2.5
M12 2.5m, 5 p Fem 0° CAN/DeviceNet		Open Ended - n/a	Robotic - 3D	0.32 + 0.2	No
WI1006-M12F5S05R	PDO Connector type	M12 5-pin female A-coded CAN - 180° Straight	CANopen/DeviceNet 4		5
M12 5m, 5 p Fem 0° CAN 2D flexible		Open Ended - n/a	Robotic - 3D	0.32 + 0.2	No



MAC320-L1HAAC

Int.Servo.AC 320WS3 0.8Nm IP42 Abs

Cable information

Item number	Mount on	Cable con 1 +Con 1 angle	Cable application	Wires no totally	Cable length [m]
Item description		Cable con 2 +Con 2 angle	Cable flexibility	Wire [mm2]	Connector 1 LED
WI1006-M12F5S15R	PDO Connector type	M12 5-pin female A-coded CAN - 180° Straight	CANopen/DeviceNet 4		15
M12 15m, 5 p Fem 0° CAN/DeviceNet		Open Ended - n/a	Robotic - 3D	0.32 + 0.2	No
WI1006-M12F5T.3N	PDO Connector type	M12 5-pin female A-coded CAN - 180° Straight	CANopen/DeviceNet 4		0.3
M12 0.3m 5 p Fem 0° CAN/DeviceNet		Open Ended - n/a	Standard	0.32 + 0.2	No
WI1006-M12F5T01N	PDO Connector type	M12 5-pin female A-coded CAN - 180° Straight	CANopen/DeviceNet 4		1
M12 1m 5 p Fem 0° CAN/DeviceNet		Open Ended - n/a	Standard	0.32 + 0.2	No
WI1006-M12F5T05N	PDO Connector type	M12 5-pin female A-coded CAN - 180° Straight	CANopen/DeviceNet		5
M12 5m 5p Female 0° CAN/DeviceNet		Open Ended - n/a			No
WI1006-M12F5TM5T.25N	PDO Connector type	M12 5-pin female A-coded CAN - 180° Straight	CANopen/DeviceNet 4		0.25
M12 0.25m 5p Fem/Male 0° CAN twisted pair		M12 5-pin male A-coded CAN - n/a	Standard	0.32 + 0.2	No
WI1006-M12F5TM5T01N	PDO Connector type	M12 5-pin female A-coded CAN - 180° Straight	CANopen/DeviceNet 4		1
M12 1m 5p Fem/Male 0° CAN twisted pair		M12 5-pin male A-coded CAN - n/a	Standard	0.32 + 0.2	No
WI1006-M12F5TM5T02N	PDO Connector type	M12 5-pin female A-coded CAN - 180° Straight	CANopen/DeviceNet 4		2
M12 2m 5p Fem/Male 0° CAN Twisted pair		M12 5-pin male A-coded CAN - n/a	Standard	0.32 + 0.2	No
WI1006-M12F5TM5T03N	PDO Connector type	M12 5-pin female A-coded CAN - 180° Straight	CANopen/DeviceNet 4		3
M12 3m 5p Fem/Male 0° CAN Twisted pair		M12 5-pin male A-coded CAN - n/a	Standard	0.32 + 0.2	No
WI1006-M12F5TM5T05N	PDO Connector type	M12 5-pin female A-coded CAN - 180° Straight	CANopen/DeviceNet 4		5
M12 5m 5p Fem/Male 0° CAN Twisted pair		M12 5-pin male A-coded CAN - n/a	Standard	0.32 + 0.2	No
WI1006-M12F5TM5T10N	PDO Connector type	M12 5-pin female A-coded CAN - 180° Straight	CANopen/DeviceNet 4		10
M12 10m 5p Fem/Male 0° CAN Twisted pair		M12 5-pin male A-coded CAN - n/a	Standard	0.32 + 0.2	No
WI1006-M12F5TM5T20N	PDO Connector type	M12 5-pin female A-coded CAN - 180° Straight	CANopen/DeviceNet 4		20
M12 20m 5p Fem/Male 0° CAN Twisted pair		M12 5-pin male A-coded CAN - n/a	Standard	0.32 + 0.2	No
WI1006-M12M5S05R	PDO Connector type	M12 5-pin male A-coded CAN - 180° Straight	CANopen/DeviceNet 4		5
M12 5m 5p Male 0° CAN Twisted pair		Open Ended - n/a	Robotic - 3D	0.32 + 0.2	No
WI1006-M12M5S05T	PDO Connector type	M12 5-pin male A-coded CAN - 180° Straight	CANopen/DeviceNet 4		5
M12 5m 5p Male 0° CAN Twisted pair		Open Ended - n/a	Standard	0.32 + 0.2	No
WI1006-M12M5S15R	PDO Connector type	M12 5-pin male A-coded CAN - 180° Straight	CANopen/DeviceNet 4		15
M12 15m 5p Male 0° CAN Twisted pair		Open Ended - n/a	Robotic - 3D	0.32 + 0.2	No
WI1006-M12M5T05N	PDO Connector type	M12 5-pin male A-coded CAN - 180° Straight	CANopen/DeviceNet		No
M12 5m 5p Male 0° CAN/DeviceNet		- n/a			No
WI1006-M12M5TM5T.3N	PDO Connector type	M12 5-pin male A-coded CAN - 180° Straight	CANopen/DeviceNet 4		0.3
M12 0.3m 5p Male/Male 0° CAN Twisted pair		M12 5-pin male A-coded CAN - n/a	Standard	0.32 + 0.2	No
WI1006-M12M5TM5T01N	PDO Connector type	M12 5-pin male A-coded CAN - 180° Straight	CANopen/DeviceNet 4		1
M12 1m 5p Male/Male 0° CAN Twisted pair		M12 5-pin male A-coded CAN - n/a	Standard	0.32 + 0.2	No
WI1006-M12M5TM5T02N	PDO Connector type	M12 5-pin male A-coded CAN - 180° Straight	CANopen/DeviceNet 4		2
M12 2m 5p Male/Male 0° CAN Twisted pair		M12 5-pin male A-coded CAN - n/a	Standard	0.32 + 0.2	No
WI1006-M12M5TM5T03N	PDO Connector type	M12 5-pin male A-coded CAN - 180° Straight	CANopen/DeviceNet 4		3
M12 3m 5p Male/Male 0° CAN Twisted pair		M12 5-pin male A-coded CAN - n/a	Standard	0.32 + 0.2	No
WI1006-M12M5TM5T05N	PDO Connector type	M12 5-pin male A-coded CAN - 180° Straight	CANopen/DeviceNet 4		5
M12 5m 5p Male/Male 0° CAN Twisted pair		M12 5-pin male A-coded CAN - n/a	Standard	0.32 + 0.2	No
WI1006-M12M5TM5T1.7N	PDO Connector type	M12 5-pin male A-coded CAN - 180° Straight	CANopen/DeviceNet 4		1.7
M12 1.7m 5p Male/Male 0° CAN Twisted pair		M12 5-pin male A-coded CAN - n/a	Standard	0.32 + 0.2	No
WI1006-M12M5TM5T20N	PDO Connector type	M12 5-pin male A-coded CAN - 180° Straight	CANopen/DeviceNet 4		20
M12 20m 5p Male/Male 0° CAN Twisted pair		M12 5-pin male A-coded CAN - n/a	Standard	0.32 + 0.2	No
WI1008-M12F5AG1	PDO Connector type	M12 5-pin female A-coded - 90° Angled	CANopen/DeviceNet		20
M12 Con 5p Fem 90° Spring Ø4-8mm cable		Open Ended - n/a			No
WI1008-M12F5SS1	PDO Connector type	M12 5-pin female A-coded - 180° Straight	CANopen/DeviceNet n/a		Connector
M12 Con 5p Fem 0° Solder assembly		- n/a	n/a	n/a	No
WI1008-M12F5TG1	PDO Connector type	M12 5-pin female A-coded - 180° Straight	CANopen/DeviceNet n/a		Connector
M12 Con 5p Fem 0° Spring Shield+B222		- n/a	n/a	n/a	No
WI1008-M12F5VG1	PDO Connector type	M12 5-pin female A-coded - 90° Angled	CANopen/DeviceNet n/a		Connector
M12 Con 5p Fem 90° Spring Shield		- n/a	n/a	n/a	No
WI1008-M12F8SC1	PDO Connector type	M12 8-pin female A-coded - 180° Straight	CANopen/DeviceNet n/a		Connector
M12 Con 8p Fem 0° Screw Ø4-8mm cable		- n/a	n/a	n/a	No
WI1008-M12F8SS1	PDO Connector type	M12 8-pin female A-coded - 180° Straight	CANopen/DeviceNet n/a		Connector



MAC320-L1HAAC

Int.Servo.AC 320WS3 0.8Nm IP42 Abs

Cable information

Item number	Mount on	Cable con 1 +Con 1 angle	Cable application	Wires no totally	Cable length [m]
Item description		Cable con 2 +Con 2 angle	Cable flexibility	Wire [mm2]	Connector 1 LED
M12 Con 8p Fem 0° Solder assembly		- n/a	n/a	n/a	No
WI1008-M12F8TC1	PDO Connector type	M12 8-pin female A-coded - 180° Straight	CANopen/DeviceNet	n/a	Connector
M12 Con 8p Fem 0° Screw Shield		- n/a	n/a	n/a	No
WI1008-M12F8TS1	PDO Connector type	M12 8-pin female A-coded - 180° Straight	CANopen/DeviceNet	n/a	Connector
M12 Con 8p Fem 0° Solder Shield		- n/a	n/a	n/a	No
WI1008-M12M12SS1	PDO Connector type	M12 12-pin male A-coded - 180° Straight	CANopen/DeviceNet	n/a	Connector
M12 Con 12p Male 0° Solder assembly		- n/a	n/a	n/a	No
WI1008-M12M12TS1	PDO Connector type	M12 12-pin male A-coded - 180° Straight	CANopen/DeviceNet	n/a	Connector
M12 Con 12p Male 0° Solder Shield		- n/a	n/a	n/a	No
WI1008-M12M12VS1	PDO Connector type	M12 12-pin male A-coded - 90° Angled	CANopen/DeviceNet	n/a	Connector
M12 Con 12p Male 90° Solder Shield		- n/a	n/a	n/a	No
WI1008-M12M17SR1	PDO Connector type	M12 17-pin male A-coded - 180° Straight	CANopen/DeviceNet	n/a	Connector
M12 Con 17p Male 0° Metal housing 5.4-8.2mm cable		- n/a	n/a	n/a	No
WI1008-M12M5AC1	PDO Connector type	M12 5-pin male A-coded - 90° Angled	CANopen/DeviceNet	n/a	Connector
M12 Con 5p Male 90° Screw PG7 for cable		- n/a	n/a	n/a	No
WI1008-M12M5AG1	PDO Connector type	M12 5-pin male A-coded - 90° Angled	CANopen/DeviceNet	n/a	Connector
M12 Con 5p Male 90° Spring Ø4-8mm cable		- n/a	n/a	n/a	No
WI1008-M12M5SC1	PDO Connector type	M12 5-pin male A-coded - 180° Straight	CANopen/DeviceNet	n/a	Connector
M12 Con 5p Male 0° Screw PG7 cable		- n/a	n/a	n/a	No
WI1008-M12M5SS1	PDO Connector type	M12 5-pin male A-coded - 180° Straight	CANopen/DeviceNet	n/a	Connector
M12 Con 5p Male 0° Solder assembly		- n/a	n/a	n/a	No
WI1008-M12M5STR4	PDO Connector type	M12 5-pin male A-coded - 180° Straight	CANopen/DeviceNet	n/a	Connector
M12 Con 5-pin male A Code Resistor CAN		- n/a	n/a	n/a	No
WI1008-M12M5TC1	PDO Connector type	M12 5-pin male A-coded - 180° Straight	CANopen/DeviceNet	n/a	Connector
M12 Con 5p Male A-coded Screw Shield		- n/a	n/a	n/a	No
WI1008-M12M5TG1	PDO Connector type	M12 5-pin male A-coded - 180° Straight	CANopen/DeviceNet	n/a	Connector
M12 Con 5p Male 0° Spring Shield		- n/a	n/a	n/a	No
WI1008-M12M5VG1	PDO Connector type	M12 5-pin male A-coded - 90° Angled	CANopen/DeviceNet	n/a	Connector
M12 Con 5p Male 90° Spring Shield		- n/a	n/a	n/a	No
WI1008-M12M8SC1	PDO Connector type	M12 8-pin male A-coded - 180° Straight	CANopen/DeviceNet	n/a	Connector
M12 Con 8p Male 0° Screw Ø4-8mm cable		- n/a	n/a	n/a	No
WI1008-M12M8SS1	PDO Connector type	M12 8-pin male A-coded - 180° Straight	CANopen/DeviceNet	n/a	Connector
M12 Con 8p Male 0° Solder assembly		- n/a	n/a	n/a	No
WI1008-M12M8TC1	PDO Connector type	M12 8-pin male A-coded - 180° Straight	CANopen/DeviceNet	n/a	Connector
M12 Con 8p Male 0° Screw Shield		- n/a	n/a	n/a	No
WI1008-M12M8TS1	PDO Connector type	M12 8-pin male A-coded - 180° Straight	CANopen/DeviceNet	n/a	Connector
M12 Con 8p Male 0° Solder Shield		- n/a	n/a	n/a	No
WI1009-M12M12T05N	PDO Connector type	M12 12-pin male A-coded - 180° Straight	Basic I/O, Com	12	5
M12 Shl Cab 5m 12p Male 0° RS422 6P twisted		Open Ended - n/a	Standard	0.061	No
WI1009-M12M12T20N	PDO Connector type	M12 12-pin male A-coded - 180° Straight	Basic I/O, Com	12	20
M12 Shl Cab 20m 12p Male 0° RS422 6P twisted		Open Ended - n/a	Standard	0.061	No
WI1009-M12M17T01N	PDO Connector type	M12 17-pin male A-coded - 180° Straight	Basic I/O, Com	17	1
M12 Shl Cable 1m 17p Mal 0° MISxx,Ex41 twisted		Open Ended - n/a	Standard	0.061	No
WI1009-M12M17T05N	PDO Connector type	M12 17-pin male A-coded - 180° Straight	Basic I/O, Com	17	5
M12 Shl Cable 5m 17p Mal 0° MISxx,Ex41 twisted		Open Ended - n/a	Standard	0.061	No
WI1009-M12M17T10R	PDO Connector type	M12 17-pin male A-coded - 180° Straight	Basic I/O, Com	17	5
M12 Shl Cable 10m 17p Mal 0° MISxx,Ex41 twisted		Open Ended - n/a	Robotic - 3D	0.061	No
WI1009-M12M17T20N	PDO Connector type	M12 17-pin male A-coded - 180° Straight	Basic I/O, Com	17	20
M12 Shl Cable 20m 17p Mal 0° MISxx,Ex41 twisted		Open Ended - n/a	Standard	0.061	No
WI1009-M12M17TF17T.5	PDO Connector type	M12 17-pin male A-coded - 180° Straight	Basic I/O, Com	17	0.5
M12 Shl Cable.5m Male17p0°-Female 17p0° twist pair		M12 17-pin female A-coded - n/a	Standard	0.061	No
WI1009-M12M17TF17T01	PDO Connector type	M12 17-pin male A-coded - 180° Straight	Basic I/O, Com	17	1
M12 Shl Cable 1m Male17p0°-Female 17p0° twist pair		M12 17-pin female A-coded - n/a	Standard	0.061	No
WI1009-M12M17TF17T02	PDO Connector type	M12 17-pin male A-coded - 180° Straight	Basic I/O, Com	17	2
M12 Shl Cable 2m Male17p0°-Female 17p0° twist pair		M12 17-pin female A-coded - n/a	Standard	0.061	No



MAC320-L1HAAC

Int.Servo.AC 320WS3 0.8Nm IP42 Abs

Cable information

Item number	Mount on	Cable con 1 +Con 1 angle	Cable application	Wires no totally	Cable length [m]
Item description		Cable con 2 +Con 2 angle	Cable flexibility	Wire [mm2]	Connector 1 LED
WI1009-M12M17TF17T04	PDO Connector type	M12 17-pin male A-coded - 180° Straight	Basic I/O, Com	17	4
M12 Shl Cable 4m Male17p0°-Female	17p0° twist pair	M12 17-pin female A-coded - n/a	Standard	0.061	No
WI1009-M12M17V05N	PDO Connector type	M12 17-pin male A-coded - 90° Angled	Basic I/O, Com	17	5
M12 Shl Cable 5m 17p Mal 90° MISxx,Ex41 twisted		Open Ended - n/a	Standard	0.061	No
WI1009-M12M17V05R	PDO Connector type	M12 17-pin male A-coded - 90° Angled	Basic I/O, Com		5
M12 Shl Cable 5m 17p Mal 90° MISxx,Ex41 twisted		- n/a	Robotic - 3D		No
WI1009-M12M17V10N	PDO Connector type	M12 17-pin male A-coded - 90° Angled	Basic I/O, Com	17	10
M12 Shl Cable 10m 17p Mal 90° MISxx,Ex41 twisted		Open Ended - n/a	Standard	0.061	No
WI1009-M12M8Q1.2N	PDO Connector type	M12 8-pin male A-coded - 90° Angled	Basic I/O, Com	8	1.2
M12 Shl Cable 1.2m 8p Male 90° 4P twisted		Open Ended - n/a	Standard	0.32	No
WI1009-M12M8V05N	PDO Connector type	M12 8-pin male A-coded - 90° Angled	Basic I/O, Com	8	5
M12 Shl Cable 5m 8 p Male 90° 4P twisted		Open Ended - n/a	Standard	0.32	No
WI1009-M12M8V20N	PDO Connector type	M12 8-pin male A-coded - 90° Angled	Basic I/O, Com	8	20
M12 Shl Cable 20m 8 p Male 90° 4P twisted		Open Ended - n/a	Standard	0.32	No
WI1010-M08M2T05P	PDO Connector type	M8 2-pin male A-coded - 180° Straight	STO		5
M8 STO shl cable 3pin 2wire male 5m		Open Ended - n/a	Standard		No
WI1010-M08M4STO	PDO Connector type	M8 4-pin male A-coded - n/a	STO	4	Connector
M8 STO Disable plug for MIS17/23/34/43		- n/a	n/a	0.2	
WI1010-M08M4T03P	PDO Connector type	M8 4-pin male A-coded - 180° Straight	STO	4	3
M8 STO 4Pin Male 0° Con Shl Yel 3m 1xcon		Open Ended - n/a	Standard	0.2	No
WI1010-M08M4T05P	PDO Connector type	M8 4-pin male A-coded - 180° Straight	STO	4	10
M8 STO 4Pin Male 0° Con Shl Yel 5m 1xcon		Open Ended - n/a	Standard	0.2	No
WI1010-M08M4T1.5P	PDO Connector type	M8 4-pin male A-coded - 180° Straight	STO		1.5
M8 STO 4Pin Male 0° Con Shl Yel 1.5 m 1xcon, PA014		- n/a	Standard		No
WI1010-M08M4T15P	PDO Connector type	M8 4-pin male A-coded - 180° Straight	STO	4	15
M8 STO 4Pin Male 0° Con. shl. Yel 15m 1xCon		Open Ended - n/a	Standard	0.2	No
WI1010-M08M4T20P	PDO Connector type	M8 4-pin male A-coded - 180° Straight	STO	4	20
M8 STO 4P Male 0° Con. shl. Yel 20m		Open Ended - n/a	Standard	0.2	No
WI1010-M08M4TF3T.3P	PDO Connector type	M8 4-pin male A-coded - 180° Straight	STO		0.3
M8 STO shl cable Male 4 pin to Female 3 pin.		M08 3-pin female A-coded - n/a	Standard		No
WI1010-M08M4TM4T10P	PDO Connector type	M8 4-pin male A-coded - 180° Straight	STO	4	10
M8 STO 4P Male 0°/4P Male 0° shl. Yel10m 2xCon		M08 4-pin male A-coded - n/a	Standard	0.2	No
WI1010-M08M4TM4T20P	PDO Connector type	M8 4-pin male A-coded - 180° Straight	STO	4	20
M8 STO 4P Male 0°/4P Male 0° shl. Yel20m 2xCon		M08 4-pin male A-coded - n/a	Standard	0.2	No
WI1010-M08M4V05P	PDO Connector type	M8 4-pin male A-coded - 90° Angled	STO	4	5
M8 STO 4Pin Male 90° Con. shl. Yel 5m 1xCon		Open Ended - n/a	Standard	0.2	No
WI1010-M08M4V10P	PDO Connector type	M8 4-pin male A-coded - 90° Angled	STO	4	10
M8 STO 4Pin Male 90° Con. shl. Yel 10m 1xCon		Open Ended - n/a	Standard	0.2	No
WI1010-M08M4VF4T01P	PDO Connector type	M8 4-pin male A-coded - 90° Angled	STO	4	1
M8 STO 4P Male 90°/4P Fem 0° shl. yel 1m 2xCon		M08 4-pin female A-coded - n/a	Standard	0.2	No
WI1010-M08M4VF4T02P	PDO Connector type	M8 4-pin male A-coded - 90° Angled	STO	4	2
M8 STO 4P Male 90°/4P Fem 0° shl. yel 2m 2xCon		M08 4-pin female A-coded - n/a	Standard	0.2	No
WI1010-M08M4VF4T03P	PDO Connector type	M8 4-pin male A-coded - 90° Angled	STO	4	3
M8 STO 4P Male 90°/4P Fem 0° shl. yel 3m 2xCon		M08 4-pin female A-coded - n/a	Standard	0.2	No
WI1010-M08M4VM4V10P	PDO Connector type	M8 4-pin male A-coded - 90° Angled	STO	4	10
M8 STO 4P Male 90°/4P Male 90° shl. Yel 10m 2xCon		M08 4-pin male A-coded - n/a	Standard	0.2	No
WI1010-M08M4VM4V20P	PDO Connector type	M8 4-pin male A-coded - 90° Angled	STO	4	20
M8 STO 4P Male 90°/4P Male 90° shl. Yel 20m 2xCon		M08 4-pin male A-coded - n/a	Standard	0.2	No
WI1011-M12F8V10T	PDO Connector type	M12 8-pin female - 90° Angled		8	10
M12 Shl Cable 10m 8 p Female 90° 4P twisted		Open Ended - n/a		0.32	No
WI1011-M12M8V1.2T	PDO Connector type	M12 8-pin male - 90° Angled		8	1.2
M12 Shl Cable 1.2m 8 p Male 90° 4P twisted		Open Ended - n/a		0.32	No
WI1011-M12M8V10T	PDO Connector type	M12 8-pin male - 90° Angled		8	10
M12 Shl Cable 10m 8 p Male 90° 4P twisted		Open Ended - n/a	Standard	0.32	No
WI1011-M12M8V15T	PDO Connector type	M12 8-pin male - 90° Angled		8	15



MAC320-L1HAAC

Int.Servo.AC 320WS3 0.8Nm IP42 Abs

Cable information

Item number	Mount on	Cable con 1 +Con 1 angle	Cable application	Wires no totally	Cable length [m]
Item description		Cable con 2 +Con 2 angle	Cable flexibility	Wire [mm2]	Connector 1 LED
M12 Shl Cable 15m 8 p Male 90° 4P twisted		Open Ended - n/a	Standard	0.32	No
WI1012-M12F8TF8T01T	PDO Connector type	M12 8-pin female A-coded - 180° Straight		8	1
M12 Shl Cable 1m 8pF0°-8pF0° SMC-Enc twisted/shie		M12 8-pin female A-coded - n/a		0.32	No
WI1012-M12F8TF8T02T	PDO Connector type	M12 8-pin female A-coded - 180° Straight		8	2
M12 Shl Cable 2m 8pF0°-8pF0° SMC-Enc twisted/shie		M12 8-pin female A-coded - n/a		0.32	No
WI1012-M12F8TF8T05T	PDO Connector type	M12 8-pin female A-coded - 180° Straight		8	5
M12 Shl Cable 5m 8pF0°-8pF0° SMC-Enc twisted/shie		M12 8-pin female A-coded - n/a		0.32	No
WI1012-M12F8TF8T20T	PDO Connector type	M12 8-pin female A-coded - 180° Straight		8	20
M12 Shl Cable 20m 8pF0°-8pF0° SMC-Enc twisted/shie		M12 8-pin female A-coded - n/a		0.32	No
WI1012-M12F8TM17T01T	PDO Connector type	M12 8-pin female A-coded - 180° Straight		8	1
M12 Shl Cable 1m 8pF 0° to 17pM 0° SMCxx twisted/s		M12 17-pin male A-coded - n/a		0.32	No
WI1012-M12F8TM17T05T	PDO Connector type	M12 8-pin female A-coded - 180° Straight		8	5
M12 Shl Cable 5m 8pF 0° to 17pM 0° SMCxx twisted/s		M12 17-pin male A-coded - n/a		0.32	No
WI1012-M12F8TM17T20T	PDO Connector type	M12 8-pin female A-coded - 180° Straight		8	20
M12 Shl Cable 20m 8pF 0° to 17pM 0° SMCxx twisted/		M12 17-pin male A-coded - n/a		0.32	No
WI1013-M12M17TF4T.4N	PDO Connector type	M12 17-pin male A-coded - 180° Straight		4	0.45
M12 17pM, 0.45m M8-4pF Shl for MAB MIS		M08 4-pin female - n/a	Standard	0.13	No
WI1013-M12M17TF4TXAA	PDO Connector type	M12 17-pin male A-coded - 180° Straight			0.45/2
M12 17pM, 0.45m M8-4pF Shl for MAB + 2m cable MIS		M08 4-pin female - n/a	Standard		No
WI1025-M12F5AF5AM5A	PDO Connector type	M12 5-pin female A-coded - 90° Angled		5	
M12 T-Con 2x Fem 5 p + 1x Male 5 p		M12 5-pin female A-coded - n/a	Standard	0.32	No
WI1025-M12F5AM5A	PDO Connector type	M12 5-pin female A-coded - 90° Angled		5	
M12 Cabinet Feed-through F5p-M5p		M12 5-pin male A-coded - n/a	Standard	0.32	No
WI1025-M12F5AM5AF5A	PDO Connector type	M12 5-pin female A-coded - 90° Angled		5	
M12 T-Con Fem 5p+ Male 5p + Fem 5p NoSh		M12 5-pin male A-coded - n/a	Standard	0.32	No
WI1025-M12F5VM5VF5V	PDO Connector type	M12 5-pin female A-coded - 90° Angled		5	
M12 Shl Y-Con 1xMale 5p + 2x Fem 5p CAN		M12 5-pin male A-coded CAN - n/a	Standard	0.32	No
WI1025-M12F8AM8A	PDO Connector type	M12 8-pin female A-coded - 90° Angled		5	
M12 Cabinet Feed-through F8p-M8p		M12 8-pin male A-coded - n/a	Standard	0.32	No
WI1025-M12M5AF5AF8A	PDO Connector type	M12 5-pin male A-coded - 90° Angled		5	
M12 T-Con Male 5 p + Fem 5 p + 1 Fem 8 p		M12 5-pin male A-coded - n/a	Standard	0.32	No
WI1025-M12M5VM5VF5V	PDO Connector type	M12 5-pin male A-coded - 90° Angled		5	
M12 Shl Y-Con 2xMale 5p + 1xFem 5p RS485		M12 5-pin male A-coded - n/a	Standard	0.32	No
WI1026-M12F5S02R	PDO Connector type	M12 5-pin female B-coded Profibus - 180° Straight	Profibus	2	2
M12 Shl Cab 2m 5p Fem 0° B-cod Profibus		Open Ended - n/a	Robotic - 3D	0.2	No
WI1026-M12F5S05R	PDO Connector type	M12 5-pin female B-coded Profibus - 180° Straight	Profibus	2	5
M12 Shl Cab 5m 5p Fem 0° B-cod Profibus		Open Ended - n/a	Robotic - 3D	0.2	No
WI1026-M12F5S10R	PDO Connector type	M12 5-pin female B-coded Profibus - 180° Straight	Profibus	2	10
M12 Shl Cab 10m 5p Fem 0° B-cod Profibus		Open Ended - n/a	Robotic - 3D	0.2	No
WI1026-M12F5S15R	PDO Connector type	M12 5-pin female B-coded Profibus - 180° Straight	Profibus	2	15
M12 Shl Cab 15m 5p Fem 0° B-cod Profibus		Open Ended - n/a	Robotic - 3D	0.2	No
WI1026-M12M5S02R	PDO Connector type	M12 5-pin male B-coded Profibus - 180° Straight	Profibus	2	2
M12 Shl Cab 2m 5p Mal 0° B-cod Profibus		Open Ended - n/a	Robotic - 3D	0.2	No
WI1026-M12M5S05R	PDO Connector type	M12 5-pin male B-coded Profibus - 180° Straight	Profibus	2	5
M12 Shl Cab 5m 5p Mal 0° B-cod Profibus		Open Ended - n/a	Robotic - 3D	0.2	No
WI1026-M12M5S10R	PDO Connector type	M12 5-pin male B-coded Profibus - 180° Straight	Profibus	2	10
M12 Shl Cab 10m 5p Mal 0° B-cod Profibus		Open Ended - n/a	Robotic - 3D	0.2	No
WI1026-M12M5S15R	PDO Connector type	M12 5-pin male B-coded Profibus - 180° Straight	Profibus	2	15
M12 Shl Cab 15m 5p Mal 0° B-cod Profibus		Open Ended - n/a	Robotic - 3D	0.2	No
WI1028-M12F5SS1	PDO Connector type	M12 5-pin female B-coded profibus - 180° Straight	Profibus	n/a	Connector
M12 Con 5p Fem 0° B-cod Profibus Solder assembly		- n/a	n/a	n/a	No
WI1028-M12F5TG1	PDO Connector type	M12 5-pin female B-coded profibus - 180° Straight	Profibus	n/a	Connector
M12 Con 5p Fem 0° B-cod Profibus Spring		- n/a	n/a	n/a	No



MAC320-L1HAAC

Int.Servo.AC 320WS3 0.8Nm IP42 Abs

Cable information

Item number	Mount on	Cable con 1 +Con 1 angle	Cable application	Wires no totally	Cable length [m]
Item description		Cable con 2 +Con 2 angle	Cable flexibility	Wire [mm2]	Connector 1 LED
WI1028-M12F5VG1	PDO Connector type	M12 5-pin female B-coded profibus - 90° Angled	Profibus	n/a	Connector
M12 Con 5p Fem 90° B-cod Profibus Spring		- n/a	n/a	n/a	No
WI1028-M12M4STR3	PDO Connector type	M12 4-pin male B-coded profibus - 180° Straight	Profibus	n/a	Connector
M12 Term. Resistor 4p Mal B-cod Profibus		- n/a	n/a	n/a	No
WI1028-M12M5TC1	PDO Connector type	M12 5-pin male B-coded profibus - 180° Straight	Profibus	n/a	Connector
M12 Con 5p Mal 0° B Profibus Screw Shl		- n/a	n/a	n/a	No
WI1028-M12M5TG1	PDO Connector type	M12 5-pin male B-coded profibus - 180° Straight	Profibus	n/a	Connector
M12 Con 5p Mal 0° B Profibus Spring Shl		- n/a	n/a	n/a	No
WI1028-M12M5VG1	PDO Connector type	M12 5-pin male B-coded profibus - 90° Angled	Profibus	n/a	Connector
M12 Con 5p Mal 90° B Profibus SpringShl		- n/a	n/a	n/a	No
WI1046-M12M4S.3NRJ45	PDO Connector type	M12 4-pin male D-coded Ethernet - 180° Straight	Ethernet	4	0.3
M12 Cab D-code Ethernet M0°-RJ45, 0.3m, Ø5		RJ45 male - n/a	Standard	0.13	No
WI1046-M12M4S01NRJ45	PDO Connector type	M12 4-pin male D-coded Ethernet - 180° Straight	Ethernet	4	1
M12 Cab D-code Ethernet M0°-RJ45, 1.0m, Ø5		RJ45 male - n/a	Standard	0.13	No
WI1046-M12M4S05R	PDO Connector type	M12 4-pin male D-coded Ethernet - 180° Straight	Ethernet	4	5
M12 Cab D-code Ethernet M0°, SFTP, 5m Ø7		Open Ended - n/a	Cable chains - 2D	0.13	No
WI1046-M12M4S10NRJ45	PDO Connector type	M12 4-pin male D-coded Ethernet - 180° Straight	Ethernet	4	10
M12 Cab D-code Ethernet M0°-RJ45, 10m, Ø5		RJ45 male - n/a	Standard	0.13	No
WI1046-M12M4S15NRJ45	PDO Connector type	M12 4-pin male D-coded Ethernet - 180° Straight	Ethernet	4	15
M12 Cab D-code Ethernet M0°-RJ45, 15m, RJ45 Ø5		RJ45 male - n/a	Standard	0.13	No
WI1046-M12M4S15R	PDO Connector type	M12 4-pin male D-coded Ethernet - 180° Straight	Ethernet	4	15
M12 Cab D-code Ethernet M0°, 15m Ø7		Open Ended - n/a	Cable chains - 2D	0.13	No
WI1046-M12M4T.3TRJ45	PDO Connector type	M12 4-pin male D-coded Ethernet - 180° Straight	Ethernet	4	0.3
M12 Cab D-code Ethernet M0°-RJ45, 0.3m, RJ45 Ø5		RJ45 male - n/a	Standard	0.13	No
WI1046-M12M4T01TRJ45	PDO Connector type	M12 4-pin male D-coded Ethernet - 180° Straight	Ethernet	4	1
M12 Cab D-code Ethernet M0°-RJ45, 1m, RJ45 Ø5		RJ45 male - n/a	Standard	0.13	No
WI1046-M12M4T02NRJ45	PDO Connector type	M12 4-pin male D-coded Ethernet - 180° Straight	Ethernet	4	2
M12 Cab D-code Ethernet M0°-RJ45, 2m, Ø5		RJ45 male - n/a	Standard	0.13	No
WI1046-M12M4T05TRJ45	PDO Connector type	M12 4-pin male D-coded Ethernet - 180° Straight	Ethernet	4	5
M12 Cab D-code Ethernet M0°-RJ45, 5m, Ø5		RJ45 male - n/a	Standard	0.13	No
WI1046-M12M4T10TRJ45	PDO Connector type	M12 4-pin male D-coded Ethernet - 180° Straight	Ethernet	4	10
M12 Cab D-code Ethernet M0°-RJ45, 10m, Ø5		RJ45 male - n/a	Standard	0.13	No
WI1046-M12M4T15TRJ45	PDO Connector type	M12 4-pin male D-coded Ethernet - 180° Straight	Ethernet	4	15
M12 Cab D-code Ethernet M0°-RJ45, SFTP, 15m, Ø5		RJ45 male - n/a	Standard	0.13	No
WI1046-M12M4T20TRJ45	PDO Connector type	M12 4-pin male D-coded Ethernet - 180° Straight	Ethernet	4	20
M12 Cab D-code Ethernet M0°-RJ45, 20m, Ø5		RJ45 male - n/a	Standard	0.13	No
WI1046-M12M4TM4T.3R	PDO Connector type	M12 4-pin male D-coded Ethernet - 180° Straight	Ethernet	4	0.3
M12 Cab D-code Ethernet M0°-M0°, 0.3m, Ø6		M12 4-pin male D-coded Ethernet - n/a	Robotic - 3D	0.14	No
WI1046-M12M4TM4T.3T	PDO Connector type	M12 4-pin male D-coded Ethernet - 180° Straight	Ethernet	4	0.3
M12 Cab D-code Ethernet M0°-M0°, 0.3m, Ø6		M12 4-pin male D-coded Ethernet - n/a	Standard	0.13	No
WI1046-M12M4TM4T01R	PDO Connector type	M12 4-pin male D-coded Ethernet - 180° Straight	Ethernet	4	1
M12 Cab D-code Ethernet M0°-M0°, 1m, Ø7		M12 4-pin male D-coded Ethernet - n/a	Robotic - 3D	0.14	No
WI1046-M12M4TM4T01T	PDO Connector type	M12 4-pin male D-coded Ethernet - 180° Straight	Ethernet	4	1
M12 Cab D-code Ethernet M0°-M0°, 1m, Ø6		M12 4-pin male D-coded Ethernet - n/a	Standard	0.13	No
WI1046-M12M4TM4T02R	PDO Connector type	M12 4-pin male D-coded Ethernet - 180° Straight	Ethernet	4	2
M12 Cab D-code Ethernet M0°-M0°, 2.0m, Ø7		M12 4-pin male D-coded Ethernet - n/a	Robotic - 3D	0.14	No
WI1046-M12M4TM4T02T	PDO Connector type	M12 4-pin male D-coded Ethernet - 180° Straight	Ethernet	4	2
M12 Cab D-code Ethernet M0°-M0°, 2.0m, Ø6		M12 4-pin male D-coded Ethernet - n/a	Standard	0.13	No
WI1046-M12M4TM4T05R	PDO Connector type	M12 4-pin male D-coded Ethernet - 180° Straight	Ethernet	4	5

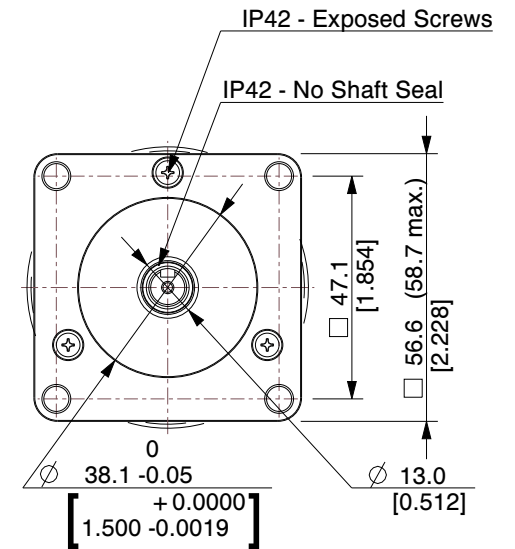
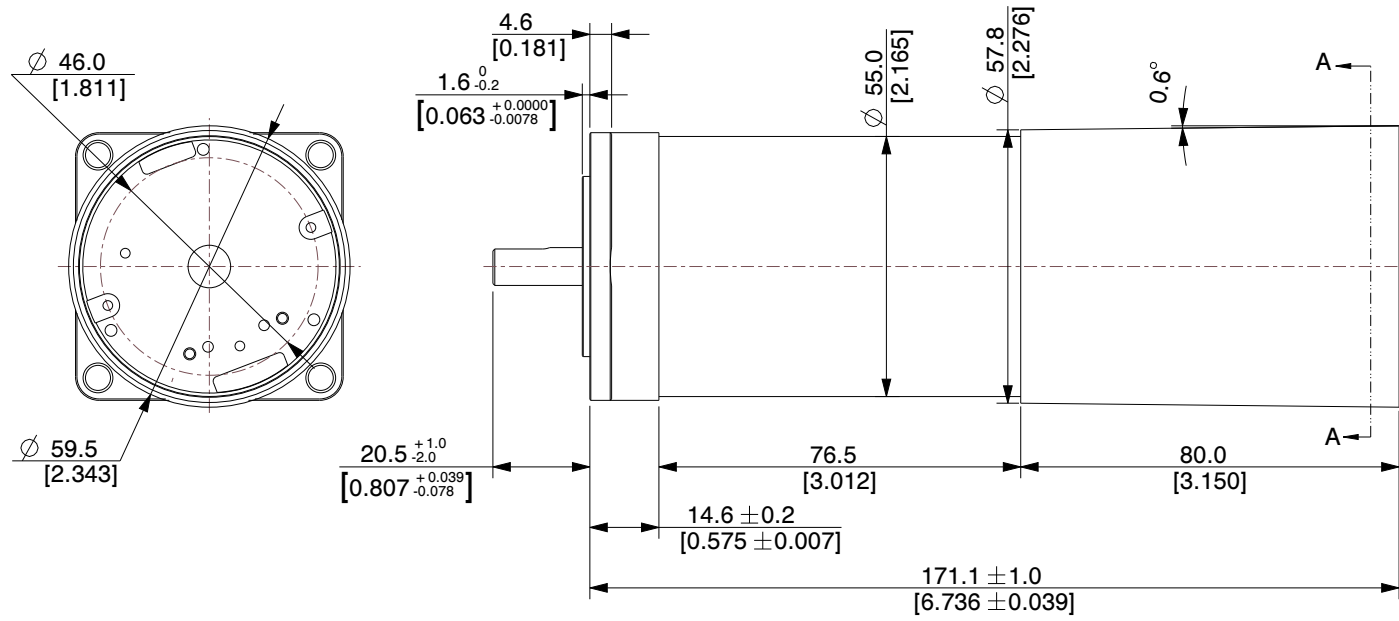
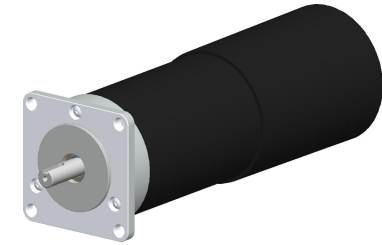
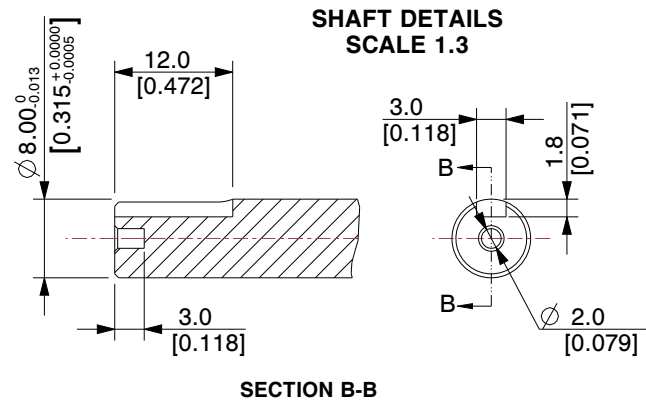
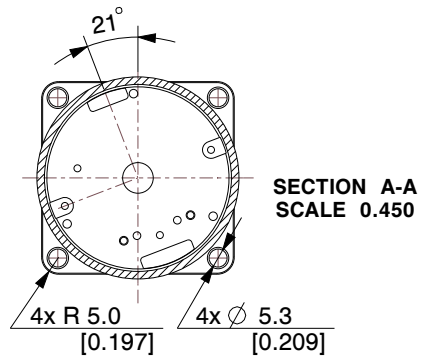


MAC320-L1HAAC

Int.Servo.AC 320WS3 0.8Nm IP42 Abs



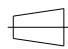

Cable information

Item number	Mount on	Cable con 1 +Con 1 angle	Cable application	Wires no totally	Cable length [m]
Item description		Cable con 2 +Con 2 angle	Cable flexibility	Wire [mm2]	Connector 1 LED
M12 Cab D-code Ethernet M0°-M0°, 5m, Ø7		M12 4-pin male D-coded Ethernet - n/a	Robotic - 3D	0.14	No
WI1046-M12M4TM4T05T	PDO Connector type	M12 4-pin male D-coded Ethernet - 180° Straight	Ethernet	4	5
M12 Cab D-code Ethernet M0°-M0°, 5m, Ø6		M12 4-pin male D-coded Ethernet - n/a	Standard	0.13	No
WI1046-M12M4TM4T10R	PDO Connector type	M12 4-pin male D-coded Ethernet - 180° Straight	Ethernet	4	10
M12 Cab D-code Ethernet M0°-M0°, 10m, Ø7		M12 4-pin male D-coded Ethernet - n/a	Robotic - 3D	0.14	No
WI1046-M12M4TM4T10T	PDO Connector type	M12 4-pin male D-coded Ethernet - 180° Straight	Ethernet	4	10
M12 Cab D-code Ethernet M0°-M0°, 10m, Ø6		M12 4-pin male D-coded Ethernet - n/a	Standard	0.13	No
WI1046-M12M4TM4T15R	PDO Connector type	M12 4-pin male D-coded Ethernet - 180° Straight	Ethernet	4	15
M12 Cab D-code Ethernet M0°-M0°, 15m, Ø7		M12 4-pin male D-coded Ethernet - n/a	Robotic - 3D	0.14	No
WI1046-M12M4TM4T20R	PDO Connector type	M12 4-pin male D-coded Ethernet - 180° Straight	Ethernet	4	20
M12 Cab D-code Ethernet M0°-M0°, 20m, Ø7		M12 4-pin male D-coded Ethernet - n/a	Robotic - 3D	0.14	No
WI1046-M12M4TM4T20T	PDO Connector type	M12 4-pin male D-coded Ethernet - 180° Straight	Ethernet	4	20
M12 Cab D-code Ethernet M0°-M0°, 20m, Ø6		M12 4-pin male D-coded Ethernet - n/a	Standard	0.13	No
WI1046-M12M4V02TRJ45	PDO Connector type	M12 4-pin male D-coded Ethernet - 90° Angled	Ethernet	4	2
M12 Cab D-code Ethernet M90°-RJ45, 2m, Ø5		RJ45 male - n/a	Standard	0.13	No
WI1046-M12M4V05TRJ45	PDO Connector type	M12 4-pin male D-coded Ethernet - 90° Angled	Ethernet	4	5
M12 Cab D-code Ethernet M90°-RJ45, 5m, Ø6		RJ45 male - n/a	Standard	0.13	No
WI1046-M12M4VM4T.6N	PDO Connector type	M12 4-pin male D-coded Ethernet - 90° Angled	Ethernet	4	0.6
M12 Cab D-code Ethernet M90°-M0°, 0,6m, Ø6		M12 4-pin male D-coded Ethernet - n/a	Standard	0.13	No
WI1046-M12M4VM4V.6N	PDO Connector type	M12 4-pin male D-coded Ethernet - 90° Angled	Ethernet	4	0.6
M12 Cab D-code Ethernet M90°-M90°, 0,6m, Ø6		M12 4-pin male D-coded Ethernet - n/a	Standard	0.13	No
WI1048-M12F4TTR1	PDO Connector type	M12 4-pin female D-coded Ethernet - 180° Straight	Ethernet		Connector
M12 Con 4 p female D Code Ethernet PressLock		- n/a	n/a		No
WI1048-M12M4TTR1	PDO Connector type	M12 4-pin male D-coded Ethernet - 180° Straight	Ethernet		Connector
M12 Con 4 p Male D Code Ethernet PressLock		- n/a	n/a		No
WI1050-M23M13T05Q	PDO Connector type	M23 13-pin male - 180° Straight		13	5
M23 Hybrid Phoenix SpeedCon: male 13 pin 5m		Open Ended - n/a			No
WI1060-M12M5T05N	PDO Connector type	M12 5-pin male - 180° Straight		5	5
M12 K Code 5pin 4+1 EA female shielded, IP67 5m		Open Ended - n/a			No
WI1061-M12F5T10N	PDO Connector type	M12 5-pin female L-coded - 180° Straight		5	10
M12 L Code 5pin female 10m		Open Ended - n/a			No
WI1061-M12F5T20N	PDO Connector type	M12 5-pin female L-coded - 180° Straight		5	20
M12 L Code 5pin female 20m free end IP67		Open Ended - n/a			No
WI1061-M12F5TM16T01S	PDO Connector type	M12 5-pin female L-coded - 180° Straight		5	1
M12 L Code 5pin female to M16 7pin male, 1m 2D		M16 7pin male - n/a			No
WI1061-M12F5TM16T05N	PDO Connector type	M12 5-pin female L-coded - 180° Straight		5	5
M12 L Code 5pin female to M16 7pin male, 5m		M16 7pin male - n/a			No
WI1061-M12F5TM16T05S	PDO Connector type	M12 5-pin female L-coded - 180° Straight		5	5
M12 L Code 5pin female to M16 7pin male, 5m 2D		M16 7pin male - n/a			No
WI1061-M12F5TM16T20S	PDO Connector type	M12 5-pin female L-coded - 180° Straight		5	20
M12 L Code 5pin female to M16 7pin male, 20m 2D		M16 7pin male - n/a			No
WI1061-M12M5TF5T01N	PDO Connector type	M12 5-pin male L-coded - 180° Straight		5	1
M12 L Code 5pin male to female shielded, IP67		M12 5-pin female A-coded - n/a			No
WI1061-M12M5TF5T01S	PDO Connector type	M12 5-pin male L-coded - 180° Straight		5	1
M12 L Code 5pin male to female shielded, IP67 2D		M12 5-pin female A-coded - n/a			No
WI1061-M12M5TF5T05N	PDO Connector type	M12 5-pin male L-coded - 180° Straight		5	5
M12 L Code 5pin male to female shielded, IP67		M12 5-pin female A-coded - n/a			No
WI1061-M12M5TF5T15N	PDO Connector type	M12 5-pin male L-coded - 180° Straight		5	5
M12 L Code 5pin male to female 15m shielded, IP67		M12 5-pin female A-coded - n/a			No



NOTES:

1. Encoder Type: Incremental magnetic 8192 CPR + Absolute multiturn encoder 19 bit

JVL A/S Bregnerødvej 127 DK-3460 Birkerød Denmark		 	
PART NUMBER: <p style="text-align: center;">MAC320-L1HAAC</p>			
PART DESCRIPTION: <p style="text-align: center;">Integrated Stepper Motor</p>			
  A4	SCALE	NTS	
	UNIT	MM [Inch]	
<small>Unless specifically stated otherwise, this drawing is the property of JVL A/S and no feature embodied herein may be disclosed except as previously authorized</small>			