

MN45UNIN060MDINN-PB3-B

Configuration

| | |
|------------------------|----------------------------|
| Type: | M |
| Size: | N45 |
| Input: | 63 B14 ø90 |
| Output shaft/bore: | Hollow output shaft |
| Mounting: | UNI (Standard) |
| Mounting position: | B3 |
| Input bore: | - |
| Coupling: | ø11 (IEC63) |
| Terminal box position: | D |

Distributor data

Customer:

Lead time:

Technical data

| | |
|------------------------------|-------------------------------|
| Input rpm (n_1): | 1400 min⁻¹ |
| Output rpm (n_2): | 37.84 min⁻¹ |
| Ratio (i): | 37 |
| Nominal power (P_{1R}): | 0.26 kW |
| Nominal torque (M_{2R}): | 41 Nm |
| Dynamic efficiency (RD): | 63% |

Selection

| | |
|-----------------------------|----------------|
| Motor power (P_{1M}): | 0.18 kW |
| Output torque (M_{2M}): | 29 Nm |
| Service factor (f.s.): | 1.4 |

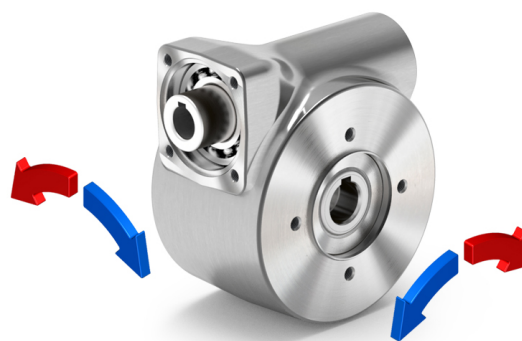
Lubrication

| | |
|---------------|------------------------|
| Oil quantity: | 0.13l |
| ENI: | Telium VSF 320 |
| SHELL: | Omala S4 WE 320 |

On our website

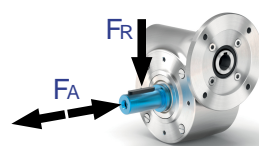
| | |
|---------------------------|--------------------------|
| Features | Thermal limit |
| How to order | Installation check list |
| Datasheet | Spare parts list |
| Accessories/options | Complete catalogue |
| Selection guide - fs | Selection by power (xls) |
| Mounting pos. - lubricant | Atex certification |
| Calc. the overhung load | |
| Irreversibility | |

Direction of rotation



Axial and radial loads

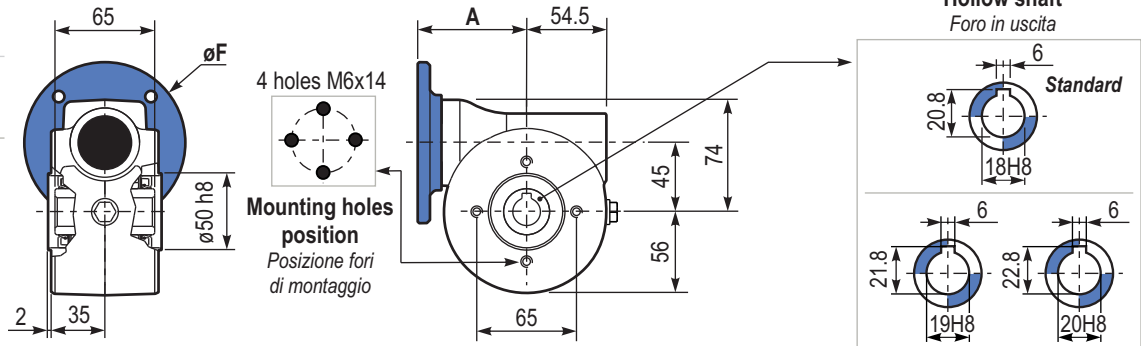
Output shaft



| n_2 (min ⁻¹) | FA (N) | FR (N) |
|-------------------------------|-----------|-----------|
| 200 | 180 | 900 |
| 150 | 200 | 1000 |
| 100 | 220 | 1100 |
| 75 | 240 | 1200 |
| 50 | 260 | 1400 |
| 25 | 300 | 1800 |
| 15 | 400 | 2000 |

PN45UNI.. Basic gearbox
Riduttore base

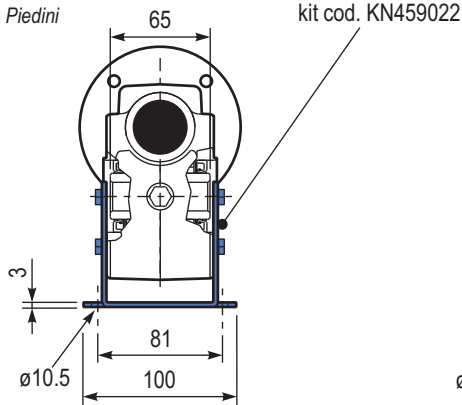
| M. flanges | Kit code | øF | A |
|------------|----------|-----|------|
| 63B14 | KI504047 | 90 | 73.5 |
| 71B14 | KI504045 | 105 | 71 |



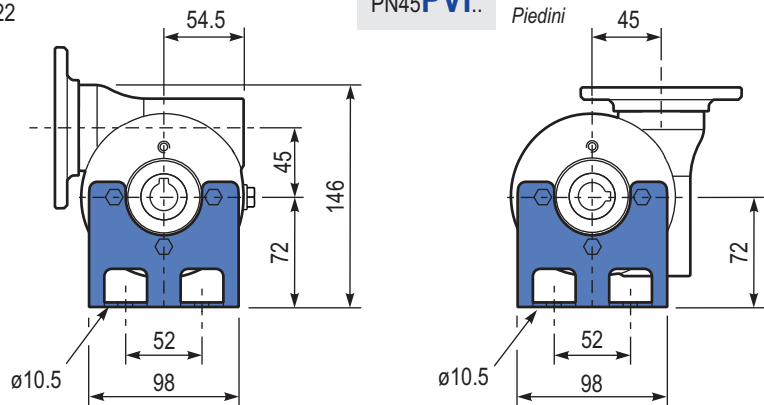
Gearbox weight
Peso riduttore **4.1 kg**

Hollow shaft
Foro in uscita

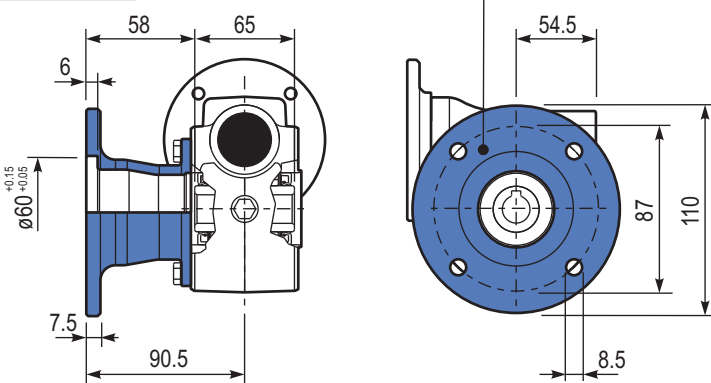
PN45PAI.. Feet
Piedini



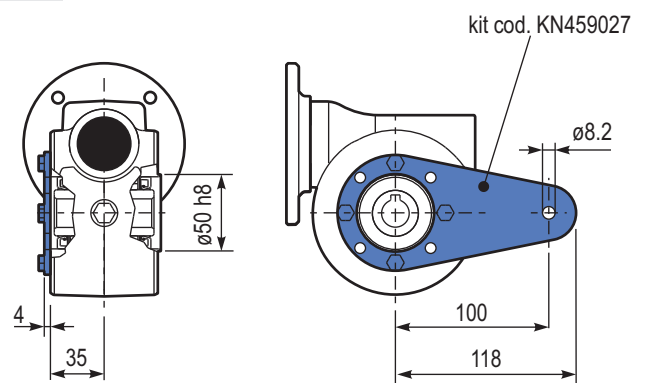
PN45PVI.. Feet
Piedini



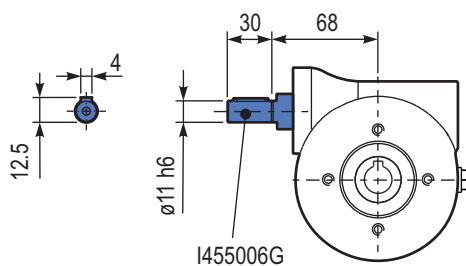
PN45FLL.. Output flange
Flangia uscita



PN45BRI.. Reaction arm
Braccio di reazione



RN45UNI.. Input shaft
Albero in entrata



PN45..SMB Single output shaft
Albero semplice in uscita

