

BD45BRZR070MDCNN-MB3-3A

Configuration

Type:	B
Size:	D45
Input:	Metric
Output shaft/bore:	Hollow output shaft
Mounting:	BRZ (Reaction arm)
Mounting position:	B3
Input bore:	ø14
Coupling:	-
Coating:	Standard aluminum

Technical data

Input rpm (n_1):	n.a.
Output rpm (n_2):	n.a.
Ratio (i):	46
Nominal power (P_{1R}):	n.a.
Nominal torque (M_{2R}):	n.a.
Dynamic efficiency (RD):	n.a.

Selection

Motor power (P_{1M}):	n.a.
Output torque (M_{2M}):	n.a.
Service factor (f.s.):	n.a.

Lubrication

Oil quantity:	0.09l
ENI:	Telium VSF 320
SHELL:	Omala S4 WE 320

On our website

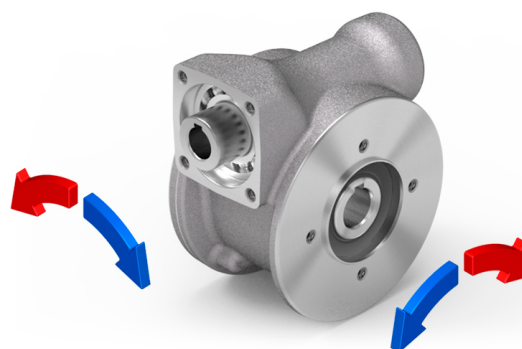
Features	Thermal limit
How to order	Installation check list
Datasheet	Spare parts list
Accessories/options	Complete catalogue
Selection guide - fs	Selection by power (xls)
Mounting pos. - lubricant	Atex certification
Calc. the overhung load	
Irreversibility	

Distributor data

Customer:

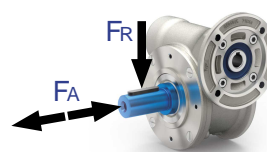
Lead time:

Direction of rotation



Axial and radial loads

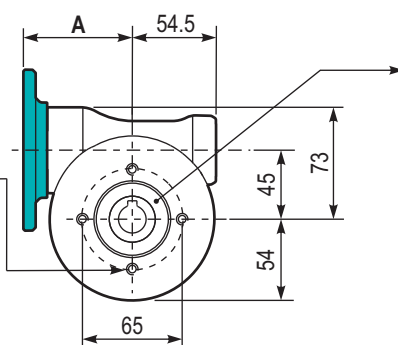
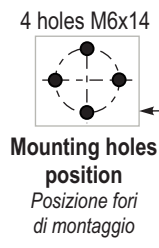
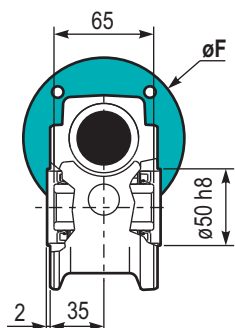
Output shaft



n_2 (min^{-1})	FA (N)	FR (N)
200	180	900
150	200	1000
100	220	1100
75	240	1200
50	260	1400
25	300	1800
15	400	2000

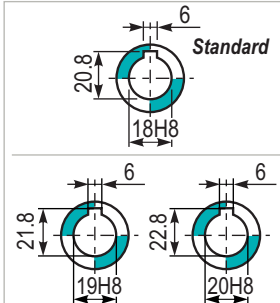
PD45UNI... Basic gearbox Riduttore base

M. flanges	Kit code	øF	A
63B5	KD454041	138	74
71B5	KD454042	160	71.5
56B14	KD454049	80	71.5
63B14	KD454047	90	74
71B14	KD454045	105	71.5



Gearbox weight
Peso riduttore **2.40 kg**

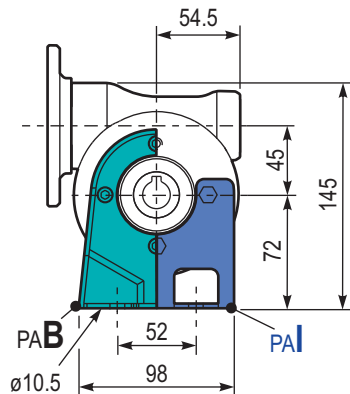
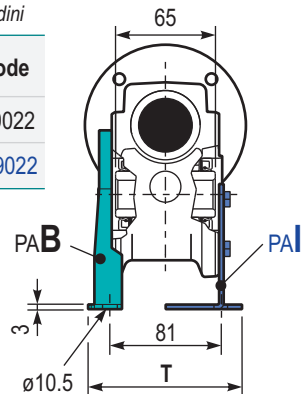
Hollow shaft Foro in uscita



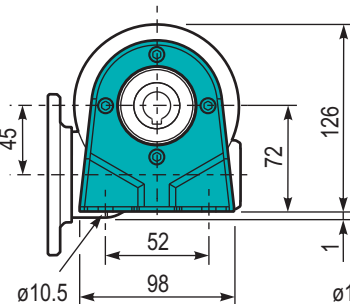
PD45PA... Feet Piedini

Type	T	Kit code
B**	102	K0459022
I*	100	KN459022

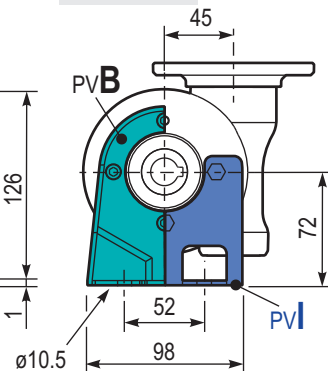
** Zink plated
* Stainless steel



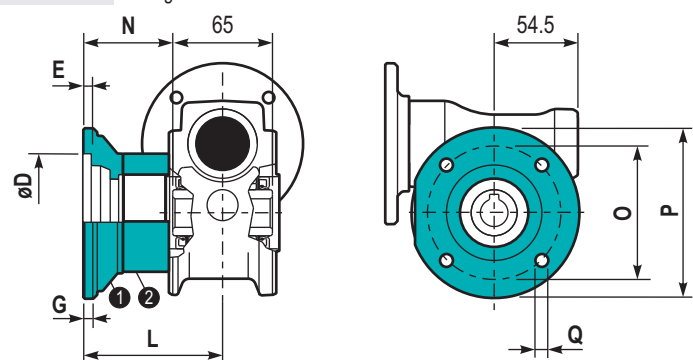
PD45PBB... Feet Piedini



PD45PV... Feet Piedini

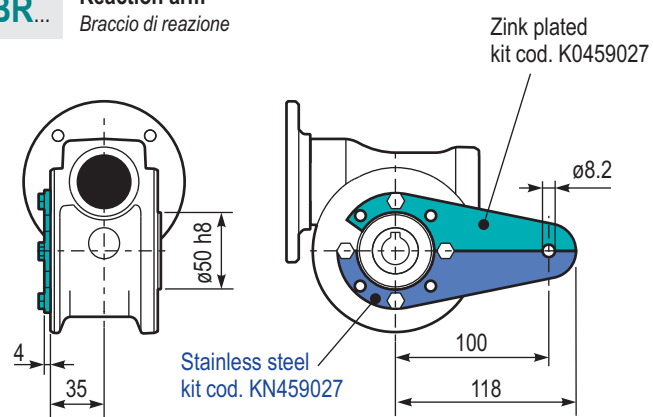


PD45FL... Output flange Flangia uscita

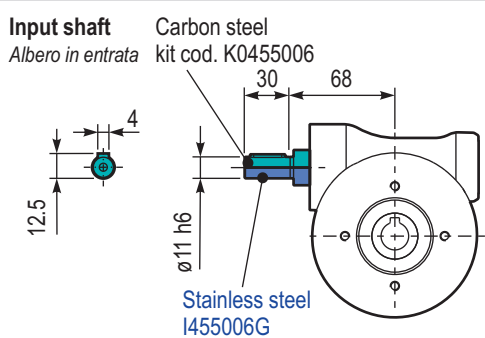


Type	øD	E	G	L	N	O	P	Q	Kit code
C	60 ^{+0.15} / _{+0.05}	9	9	60.5	28	87	110	8.5	① K0459010 ② -
L	60 ^{+0.15} / _{+0.05}	9	9	90.5	58	87	110	8.5	① K0459010 ② K0450200

PD45BR... Reaction arm Braccio di reazione



RD45UNI... Input shaft Albero in entrata



PD45SMB Single output shaft Albero semplice in uscita

