



**3Dfindit**

powered by  **CADENAS**



**ALI5-F**

# CONTENT

---

Augmented Reality (AR) - Digital meets real	2
3D preview of ALI5-F	3
Integrate MecVel catalog inside your CAD System	4
2D derivations and Bill-Of-Material (BOM)	5
Technical drawings	6
Technical data	7
Get a free E-Learning training for MecVel catalog	8



# 3Dfindit

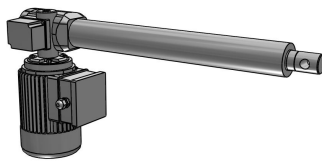
powered by  CADENAS



## ALI5-F

## AR

Augmented Reality, often shortened to AR, is a technology that blends digital information into the real world. For more information, please click [here](#) or directly try yourself by scanning the QR code with your phone.



Please scan the QR code above and open on AR-enabled device.

There is a possibility that the configuration will fail. If that happens, please try a different product.



# 3Dfindit

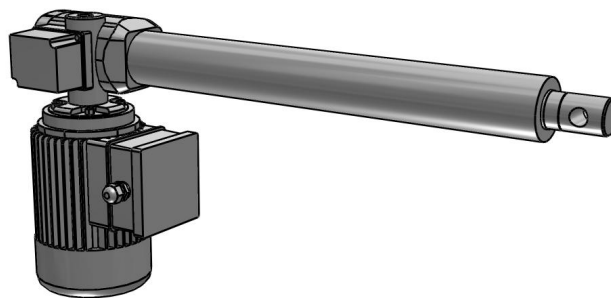
powered by  CADENAS





## ALI5-F

### 3D view



## HOW TO ACTIVATE 3D?

To activate the interactive 3D view in Acrobat Reader, you need to select, at the top of the page, **Options** and then **Trust this document**

#### Zoom

Moves you toward or away from objects in the scene when you drag vertically. You can also zoom with the hand tool by holding down Shift as you drag.

#### Pan

Moves the model vertically and horizontally only. You can also pan with the hand tool: Ctrl-drag.

#### Rotate

Turns 3D objects around relative to the screen. How the objects move depends on the starting view, where you start dragging and the direction in which you drag.



# 3Dfindit

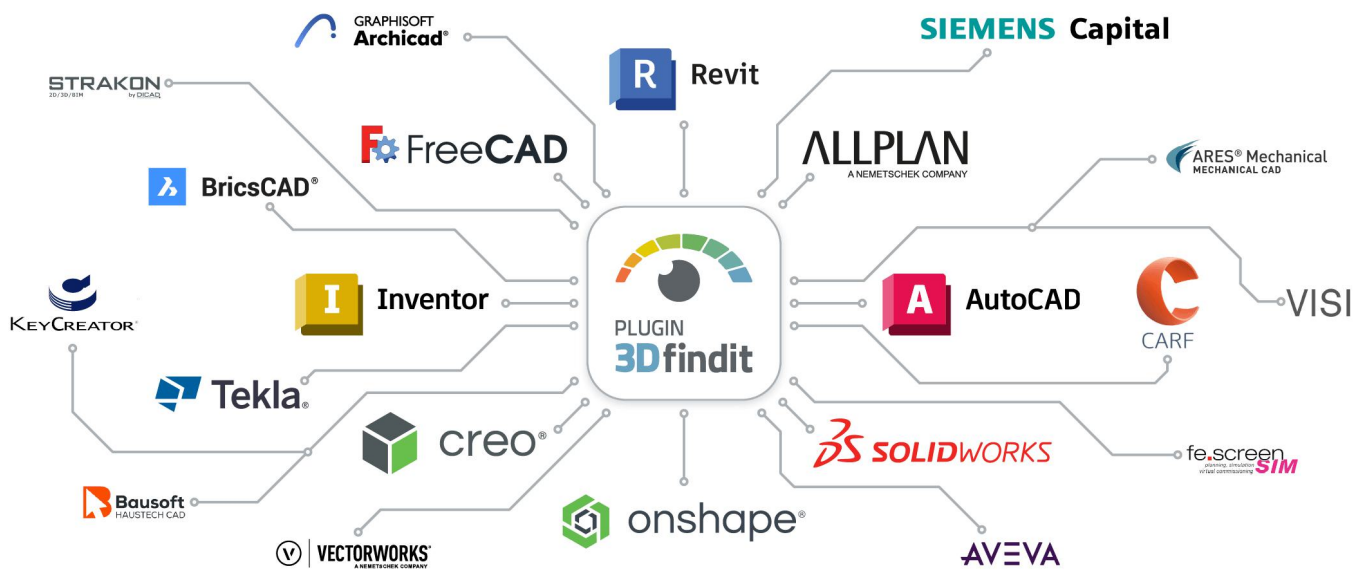
powered by CADENAS



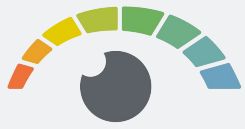
## ALI5-F

## CAD plugins

With our CAD integrations, you can use 3Dfindit directly in your CAD system and make your work easier with additional comfort functions, such as replacing a part and many more.



# To the plugins



# 3Dfindit

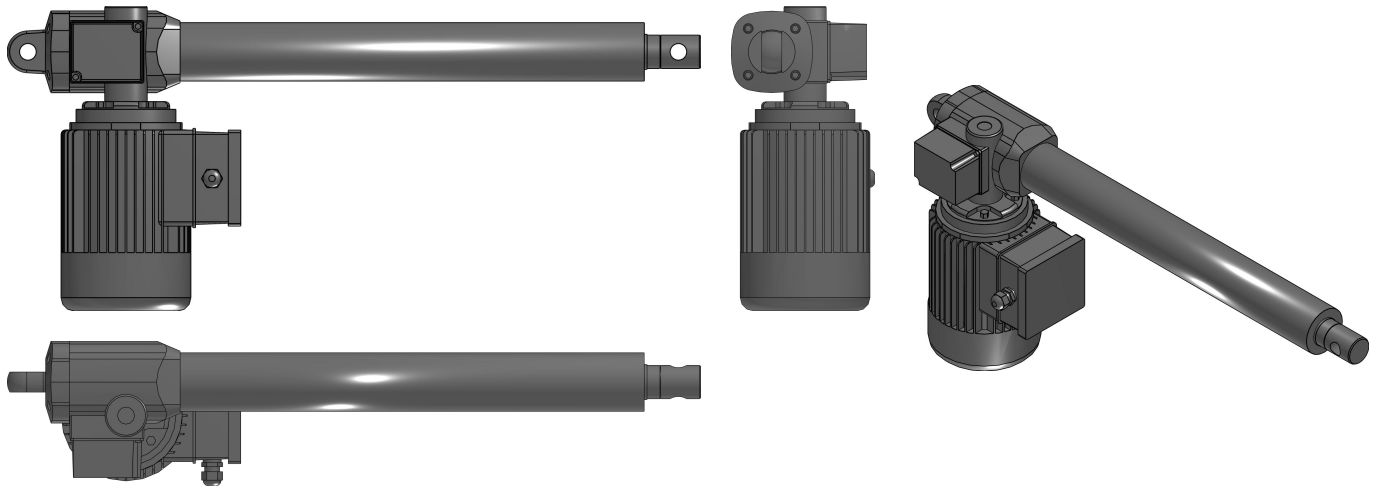
powered by  CADENAS



## ALI5-F

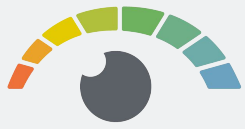
### 2D derivation

### ISO view



## Bill-Of-Materials

N°	Description	Amount
1	ALI5-F/0500/0/M04/CA-400/50-T-80-2-1.1/IP55/M0/1/2FC2/P1/A1	1



# 3Dfindit

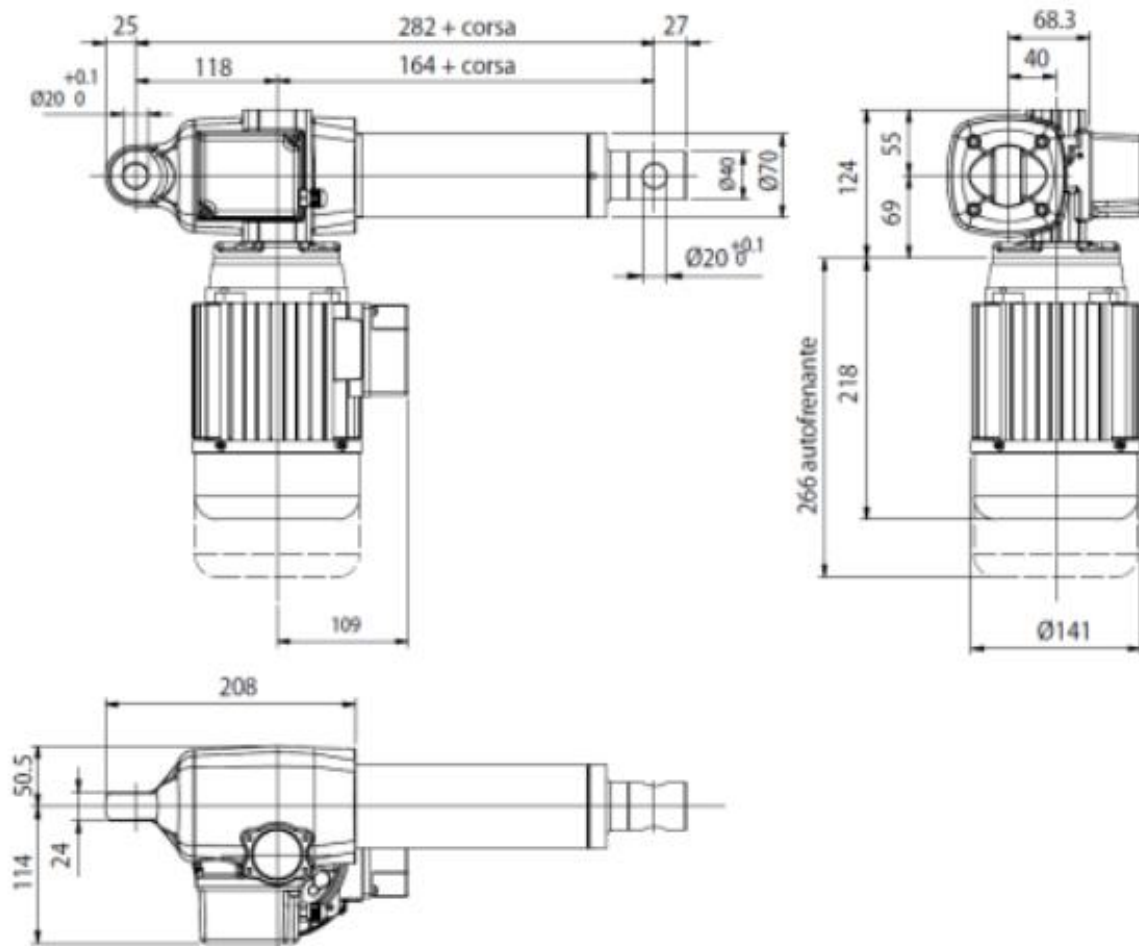
powered by  CADENAS



## ALI5-F

### Technical drawings

ALI5-F





# 3Dfindit

powered by  CADENAS



## ALI5-F

### Technical data

IDNR (Type of actuator)	ALI5-F
C (Stroke / mm)	500
CC (Push-rod stroke / mm)	0
VS (Version)	M04
VSN (Version note)	-
FMAX ( / N)	18000
VEL (Speed / mm/s)	12
GR (Gr. motor)	80
PM (Motor power)	1.1
NP (N° Pole)	2
TIPO (Type)	T
TIPOY (Motor notes)	-
TS1 (Voltage / V)	230/400/50
FR (Brake)	-
GP (Protection Class)	IP55
OM (Motor position)	M0-FC1
OMO (Terminalbox position)	1
ENC (Encoder)	NO
ENCX (Encoder notes)	-
OMF (Limit switches and motor position)	2FC2
PZ (Potentiometer)	No
DA (Antirotation device)	NO
AP (Rear ends)	P1
AA (Front attachment)	A1
OPZ1 (Protection bellows)	NO
OPZ7 (Additional shaft)	NO
LS (Hand release lever)	-



# 3Dfindit

powered by  CADENAS



 MecVel®

ALI5-F

## E-Learning

Discover free training for 3Dfindit, the search engine for engineers, designers, and architects. Our 30 to 50-minute interactive courses provide you with comprehensive knowledge about the platform. Upon successful completion, you will receive a certificate. Start your first course now and master 3Dfindit!

**Become an Expert of  
Digital Engineering**



**3Dfindit**

**Boost your career  
and get ready  
for Industry 4.0!**

[Learn more](#)

[Start course](#)

[www.CADENAS.de](http://www.CADENAS.de)  
[www.3Dfindit.com](http://www.3Dfindit.com)

◀ VISIT US AT [3Dfindit.com](http://3Dfindit.com) NOW!